



COUPLING LINK FOR DIRECT COIL CONNECTION, DC 24V, 1NO, FOR MOTOR CONTACTORS, SZ S0 SCREW TERMINAL CONNECTOR B1/B2 FOR 1NO

General technical data:

product brand name		SIRIUS
Size of contactor		S0
Protection class IP on the front		IP20
Degree of pollution		3
Product component protective wiring		Yes
Ambient temperature		
• during storage	°C	-40 ... +80
• during operation	°C	-25 ... +60
Insulation voltage Rated value	V	300

Control circuit/ Control:

Type of voltage of the control supply voltage		DC
Control supply voltage 1		
• for DC		
— Rated value	V	24
— Initial rated value	V	17
— Final rated value	V	30
Operating range factor control supply voltage rated value of the magnet coil		
• for DC		0.7 ... 1.25

Auxiliary circuit:

Number of NO contacts for auxiliary contacts instantaneous contact		1
Operating current of the auxiliary contacts		

- at AC-12
 - at 24 V
 - at 230 V
- at AC-15
 - at 24 V
 - at 230 V
- at DC-13
 - at 24 V
 - at 110 V
 - at 220 V

A	6
A	6
A	3
A	3
A	1
A	0.2
A	0.1

Installation/ mounting/ dimensions:

mounting position		any
Mounting type		direct mounting
Width	mm	45
Height	mm	35
Depth	mm	50

Connections/ Terminals:

Type of connectable conductor cross-section		
<ul style="list-style-type: none"> • for auxiliary contacts <ul style="list-style-type: none"> — solid — finely stranded — with core end processing 		2x (0.5 ... 1.5 mm ²), 2x (0.75 ... 2.5 mm ²) 2x (0.5 ... 1.5 mm ²)

Certificates/ approvals:

General Product Approval	EMC	Declaration of Conformity
--------------------------	-----	---------------------------



CCC



CSA



UL



C-TICK



EG-Konf.

Test Certificates	Shipping Approval
-------------------	-------------------

[Type Test Certificates/Test Report](#)

[Special Test Certificate](#)



ABS



BUREAU VERITAS



DNV



GL

Shipping Approval	other
-------------------	-------



LRS



RINA



RMRS

[Environmental Confirmations](#)



VDE

Further information

Information- and Downloadcenter (Catalogs, Brochures,...)

<http://www.siemens.com/industrial-controls/catalogs>

Industry Mall (Online ordering system)

<http://www.siemens.com/industrymall>

Cax online generator

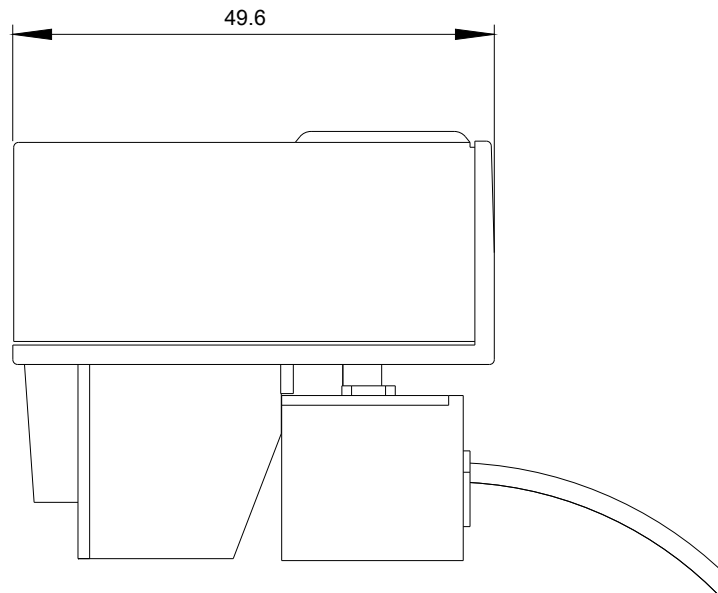
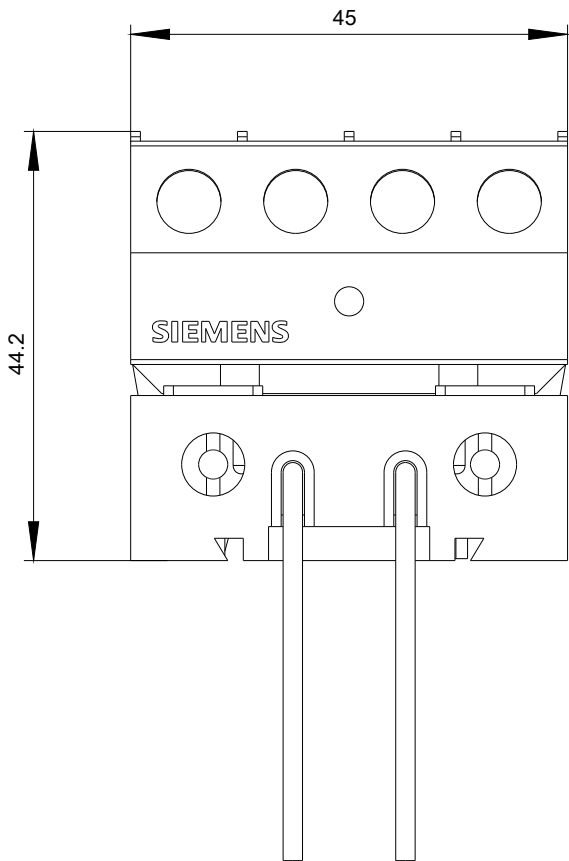
<http://support.automation.siemens.com/WW/CAXorder/default.aspx?lang=en&mlfb=3RH29241GP11>

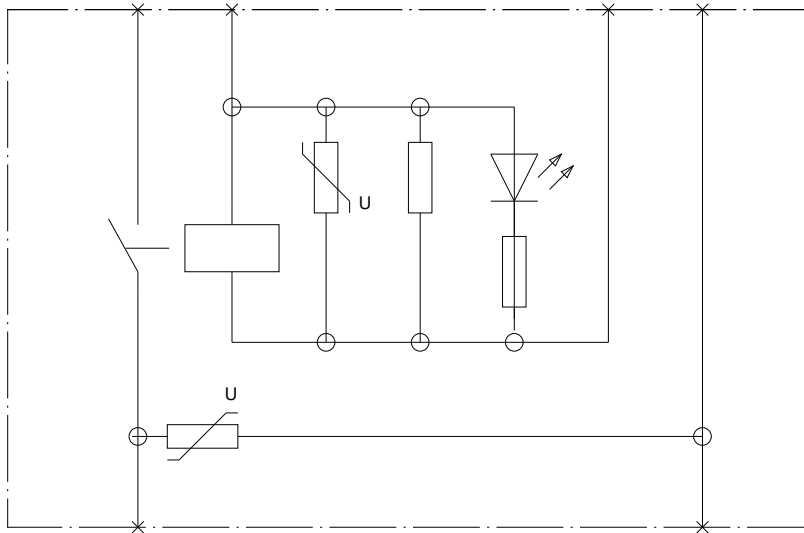
Service&Support (Manuals, Certificates, Characteristics, FAQs,...)

<http://support.automation.siemens.com/WW/view/en/3RH29241GP11/all>

Image database (product images, 2D dimension drawings, 3D models, device circuit diagrams, EPLAN macros, ...)

<http://www.automation.siemens.com/bilddb/index.aspx?attID9=3RH29241GP11&lang=en>





last modified:

09.03.2015