

MICRO SWITCH™ Standard Basic Switches

V15 Series

004945

Issue 8

Datasheet



DESCRIPTION

Honeywell's MICRO SWITCH™ V-Basic Standard Switch, V15 Series is an electromechanical switch designed to provide outstanding value in a reliable global package. This switch is often ideal for “low-cost-of-failure” applications, where the cost is minimal to replace or service any failure related to the switch. With a wide variety of operating forces, and amperage ratings, the V15 is designed for numerous types of applications.

Available in both pin plunger and levered styles, the V15 Series also offers a multitude of termination styles to fit almost any application.

VALUE TO CUSTOMERS

- Wide choice of electrical ratings: 0.1 A, 5 A, 10 A, 16 A, 22 A, 26 A
- Certified for global use: UL/cUL, ENEC, CQC
- Available with pin plungers or integral levers to meet multiple application and equipment requirements

DIFFERENTIATION

- Choice of actuation, termination, and operating characteristics that can allow for flexibility in numerous types of applications
- With a broad current capacity, one switch package can control a wide range of electrical loads

FEATURES

- Broad range of electrical loads: 0.1 A, 5 A, 10 A, 16 A, 22 A, 26 A
- Long service life: over one million mechanical operations
- Gold contacts are also available for controlling logic level/low energy circuits
- World-wide package size acceptance
- UL/CSA, cUL, ENEC, and CQC approvals

POTENTIAL APPLICATIONS

- Appliances
- Furnaces
- Gaming machines
- Ice makers
- Power washers
- Vending machines

PORTFOLIO

Honeywell offers a broad range of MICRO SWITCH™ basic switches including large, V-Basic, miniature, watertight, and special application switches.

MICRO SWITCH™ Standard Basic Switches, V15 Series

Table 1. Specifications

| Characteristic | Parameter |
|--|--|
| Circuitry | SPDT, SPNO, SPNC |
| Operating force | 0,15 N to 3,92 N [15g to 400 g] |
| Termination | quick connect; 6,35 mm x 0,80 mm [0.250 in x 0.032 in] quick connect 4,80 mm x 0,80 mm [0.187 in x 0.032 in] quick connect 4,80 mm x 0,50 mm [0.187 in x 0.020 in] push-in terminals; RAST-5 250#; RAST-7 250#; short solder; slot-hole solder; solder; right side PCB; left side PCB; straight PCB; screw; oblique screw |
| Actuators | pin plunger, integral lever options |
| Agency certification | ENEC, CQC, UL, cUL |
| Operating temperature (manufacturer specified) | code S: -25 °C to 85 °C [-13 °F to 185 °F] code T: -25 °C to 125 °C [-13 °F to 257 °F] code H: -25 °C to 150 °C [-13 °F to 302 °F] |
| Mechanical life (cycles) | 1 million cycles (except for 200g versions of V15S05 and V15T10 which are 500,000 cycles) |
| Contact material | silver, gold-plated |
| Housing material | PBT thermoplastic polyester (standard) PET thermoplastic polyester (V15H high temperature, 150 °C [302 °F]) |

Table 2. Electrical Ratings

| Rating/Nomenclature Code | UL/cUL (CUL 61058-1, File 12252) Americas | ENEC (IEC 61058-1) Europe CQC (GB15092-1) Asia-Pacific |
|--------------------------|---|---|
| 05 | 5 GPA 125/250 Vac; 0.1 GPA 125/250 Vac 1/10 HP 125/250 Vac 0.1 RA 48 Vdc 10,000 cycles | 0.1 A 125/250 Vac; 0.1 A 48 Vdc 5 (2.5) A 125/250 Vac 50,000 cycles |
| H10 | 10 GPA 125/250 Vac 1/2 HP 125/250 Vac 1.0 RA 30 Vdc 100,000 cycles | n/a |
| T10 | 11 GPA 125/250 Vac 1/3 HP 125/250 Vac 0.5 RA 125 Vdc 0.25 RA 250 Vdc 10,000 cycles | 0.5 A 125 Vdc; 0.25 A 250 Vdc 10 (3) A 125/250 Vac 50,000 cycles |
| S11 | 11 (3) 125/250 Vac 50,000 cycles | 11 (3) 125/250 Vac 50,000 cycles (ENEC only) |
| 16 | 16 GPA 125/250 Vac 1/2 HP 125/250 Vac 10,000 cycles | 16 (4) A 250 Vac 50,000 cycles |
| 22 | 22 GPA 125/250 Vac 1 HP 125/250 Vac 10,000 cycles | 22 (8) A 250 Vac 25,000 cycles |
| 26 | n/a | 0.02 A 250 Vac 26 (10) A 250 Vac 50,000 cycles |

- RA = Resistive Amps (Resistive Load)
- GPA = General Purpose Amps (Inductive Load, 75 % to 80 % power factor)
- VL = Lamp Load

- XX (Y) = XX max. resistive value (Amps) and (Y) max. inductive value (Amps)

MICRO SWITCH™ Standard Basic Switches, V15 Series

V15S05 PRODUCT NOMENCLATURE

| Switch Type | Temperature Grade | Electrical Rating | Terminal Type | Housing Type | Circuit Code | Operating Force (at pin plunger max) | Lever Position | Lever Type | Mounting Holes | Special Designator |
|--|---|---|--|--------------------------------------|---|--|--|--|---|------------------------------|
| V15 V15 Series Standard Basic Switch | S 85 °C [185 °F] (for "05" and "11" ratings only) | 05 0.1 A 48 Vdc/ 125 Vac/250 Vac 5 A 125 Vac/250 Vac | C Quick connect 6.30 mm x 0.80 mm [0.250 in x 0.032 in] D Quick connect 4.70 mm x 0.80 mm [0.187 in x 0.032 in] E Quick connect 4.70 mm x 0.50 mm [0.187 in x 0.020 in] F Screw terminal w/ pressure plate U Push-in terminal (used only in combination with "S1") | 1 Flat 2 Fully flat | Z SPDT P SPST-NO C SPST-NC | 015 15 gf; 0.15 N 025 25 gf; 0.25 N 050 50 gf; 0.49 N 100 100 gf; 0.96 N 200 200 gf; 1.96 N | A Far from pin plunger B Near pin plunger | 01 Short straight lever 02 Standard straight lever 03 Long straight lever 04 Simulated roller lever 05 Roller lever 06 Long roller lever ** Special | Metric Ø 3.1 mm USA Ø 2.9 mm | A Contact gold-plated |

* Type "11" rating only available with U terminal type and 200 gf operating force.
** Additional code assigned for specials

V15T10 PRODUCT NOMENCLATURE

| Switch Type | Temperature Grade | Electrical Rating | Terminal Type | Housing Type | Circuit Code | Operating Force (at pin plunger max) | Lever Position | Lever Type | Mounting Holes | Special Designator |
|--|--------------------------|--|--|--------------------------------------|---|--|--|--|---|------------------------------|
| V15 V15 Series Standard Basic Switch | T 125 °C [257 °F] | 10 0.5 A 125 Vdc 0.25 A 250 Vdc 4 A 125 Vac (lamp load) 10 A 125 Vac/250 Vac | C Quick connect 6.30 mm x 0.80 mm [0.250 in x 0.032 in] D Quick connect 4.70 mm x 0.80 mm [0.187 in x 0.032 in] E Quick connect 4.70 mm x 0.50 mm [0.187 in x 0.020 in] F Screw terminal w/ pressure plate | 1 Flat 2 Fully flat | Z SPDT P SPST-NO C SPST-NC | 050 50 gf; 0.49 N 100 100 gf; 0.96 N 200 200 gf; 1.96 N | A Far from pin plunger B Near pin plunger | 01 Short straight lever 02 Standard straight lever 03 Long straight lever 04 Simulated roller lever 05 Roller lever 06 Long roller lever ** Special | Metric Ø 3.1 mm USA Ø 2.9 mm | A Contact gold-plated |

** Additional code assigned for specials

V15H16/T16/T22/H22/T26 PRODUCT NOMENCLATURE

| Switch Type | Temperature Grade | Electrical Rating | Terminal Type | Housing Type | Circuit Code | Operating Force (at pin plunger max) | Lever Position | Lever Type | Mounting Holes | Special Designator |
|--|--|--|--|--------------------------------------|---|--|--|--|---|------------------------------|
| V15 V15 Series Standard Basic Switch | T 125 °C [257 °F] H 150 °C [302 °F] | 10 1 A 30 Vdc 10 A 1/2 HP 125/250 Vac (at temperature grade only) 16 16 A 125 Vac/250 Vac 22 22 A 125 Vac/250 Vac 26 0.02 A 250 Vac 26 A 250 Vac | C Quick connect 6.30 mm x 0.80 mm [0.250 in x 0.032 in] D Quick connect 4.70 mm x 0.80 mm [0.187 in x 0.032 in] E Quick connect 4.70 mm x 0.50 mm [0.187 in x 0.020 in] F Screw terminal w/ pressure plate H RAST-5 250# connector K Slot hole, solder terminal L Left side, PCB terminal M Short sholder terminal N RAST-7 250# connector P Straight PCB terminal R Right side, PCB terminal S Solder terminal T Screw terminal ** Special terminal | 1 Flat 2 Fully flat | Z SPDT P SPST-NO C SPST-NC | 100 100 gf; 0.96 N 200 200 gf; 1.96 N 300 300 gf; 2.84 N 400 400 gf; 3.92 N | A Far from pin plunger B Near pin plunger | 01 Short straight lever 02 Standard straight lever 03 Long straight lever 04 Simulated roller lever 05 Roller lever 06 Long roller lever ** Special | Metric Ø 3.1 mm USA Ø 2.9 mm | A Contact gold-plated |

^a "H" temperature grade not allowed with "26" electrical rating
¹ "100" gf not allowed with "26" electrical rating
** Additional code assigned for specials

MICRO SWITCH™ Standard Basic Switches, V15 Series

PRODUCT SPECIFICATIONS AND LISTINGS

Contact your Honeywell rep or distributor for additional listings

O.F. • Operating force O.T. • Overtravel
 R.F. • Release force D.T. • Differential travel
 P.T. • Pretravel O.P. • Operating position

| Catalog Listing | Elec. Rating UL/cUL (ENEC) | Electrical Rating (see page 5) | Temperature Rating | Circuitry | O.F. max. g [oz] | R. F. max. g [oz] | O.P. nominal mm [in] | P.T. max. mm [in] | D.T. min. mm [in] | O.T. max. mm [in] | Mounting holes |
|-----------------------|-------------------------------|-----------------------------------|--------------------|-----------|---------------------|----------------------|-------------------------|----------------------|----------------------|----------------------|----------------|
| V15S05-CP100 | 5 A (5 A) | 05 | 85 °C | SPNO | 100 [3.53] | 25 [0.88] | 14,7 [0.58] | 1,6 [0.06] | 0,4 [0.02] | 0,8 [0.03] | Metric |
| V15S05-CZ015 | 5 A (5 A) | 05 | 85 °C | SPDT | 15 [0.53] | 3 [0.11] | 14,7 [0.58] | 1,6 [0.06] | 0,4 [0.02] | 0,8 [0.03] | Metric |
| V15S05-CZ100 | 5 A (5 A) | 05 | 85 °C | SPDT | 100 [3.53] | 25 [0.88] | 14,7 [0.58] | 1,6 [0.06] | 0,4 [0.02] | 0,8 [0.03] | Metric |
| V15S05-EZ100-K | 5 A (5 A) | 05 | 85 °C | SPDT | 100 [3.53] | 25 [0.88] | 14,7 [0.58] | 1,6 [0.06] | 0,4 [0.02] | 0,8 [0.03] | USA |
| V15H10-CP100 | 10 A (---) | H10 | 150 °C | SPNO | 100 [3.53] | 25 [0.88] | 14,7 [0.58] | 1,6 [0.06] | 0,4 [0.02] | 0,8 [0.03] | Metric |
| V15H10-CZ100 | 10 A (---) | H10 | 150 °C | SPDT | 100 [3.53] | 25 [0.88] | 14,7 [0.58] | 1,6 [0.06] | 0,4 [0.02] | 0,8 [0.03] | Metric |
| V15H10-EZ100 | 10 A (---) | H10 | 150 °C | SPDT | 100 [3.53] | 25 [0.88] | 14,7 [0.58] | 1,6 [0.06] | 0,4 [0.02] | 0,8 [0.03] | Metric |
| V15T10-CZ100 | 11 A (10 A) | T10 | 125 °C | SPDT | 100 [3.53] | 25 [0.88] | 14,7 [0.58] | 1,6 [0.06] | 0,4 [0.02] | 0,8 [0.03] | Metric |
| V15T16-CP100 | 16 A (16 A) | 16 | 125 °C | SPNO | 100 [3.53] | 25 [0.88] | 14,7 [0.58] | 1,6 [0.06] | 0,4 [0.02] | 0,8 [0.03] | Metric |
| V15T16-CZ100-K | 16 A (16 A) | 16 | 125 °C | SPDT | 100 [3.53] | 25 [0.88] | 14,7 [0.58] | 1,6 [0.06] | 0,4 [0.02] | 0,8 [0.03] | USA |
| V15T16-EZ100-K | 16 A (16 A) | 16 | 125 °C | SPDT | 100 [3.53] | 25 [0.88] | 14,7 [0.58] | 1,6 [0.06] | 0,4 [0.02] | 0,8 [0.03] | USA |
| V15H16-CZ100 | 16 A (16 A) | 16 | 150 °C | SPDT | 100 [3.53] | 25 [0.88] | 14,7 [0.58] | 1,6 [0.06] | 0,4 [0.02] | 0,8 [0.03] | Metric |
| V15H16-EZ100 | 16 A (16 A) | 16 | 150 °C | SPDT | 100 [3.53] | 25 [0.88] | 14,7 [0.58] | 1,6 [0.06] | 0,4 [0.02] | 0,8 [0.03] | Metric |
| V15T22-CP100-K | 22 A (22 A) | 22 | 125 °C | SPNO | 100 [3.53] | 25 [0.88] | 14,7 [0.58] | 1,6 [0.06] | 0,4 [0.02] | 0,8 [0.03] | USA |
| V15T22-CZ100-K | 22 A (22 A) | 22 | 125 °C | SPDT | 100 [3.53] | 25 [0.88] | 14,7 [0.58] | 1,6 [0.06] | 0,4 [0.02] | 0,8 [0.03] | USA |
| V15H22-CP100 | 22 A (22 A) | 22 | 150 °C | SPNO | 100 [3.53] | 25 [0.88] | 14,7 [0.58] | 1,6 [0.06] | 0,4 [0.02] | 0,8 [0.03] | Metric |
| V15H22-CZ100 | 22 A (22 A) | 22 | 150 °C | SPDT | 100 [3.53] | 25 [0.88] | 14,7 [0.58] | 1,6 [0.06] | 0,4 [0.02] | 0,8 [0.03] | Metric |
| V15T26-CP200-K | --- (26 A) | 26 | 125 °C | SPNO | 200 [7.05] | 50 [1.76] | 14,7 [0.58] | 1,6 [0.06] | 0,4 [0.02] | 0,8 [0.03] | USA |
| V15T26-CZ200 | --- (26 A) | 26 | 125 °C | SPDT | 200 [7.05] | 50 [1.76] | 14,7 [0.58] | 1,6 [0.06] | 0,4 [0.02] | 0,8 [0.03] | Metric |





Pin Plunger

MICRO SWITCH™ Standard Basic Switches, V15 Series

PRODUCT SPECIFICATIONS AND LISTINGS

Contact your Honeywell rep or distributor for additional listings

O.F. • Operating force O.T. • Overtravel
 R.F. • Release force D.T. • Differential travel
 P.T. • Pretravel O.P. • Operating position



| | Catalog Listing | Elec. Rating UL/cUL (ENEC) | Electrical Rating (see page 5) | Temperature Rating | Circuitry | O.F. max. g [oz] | R. F. max. g [oz] | O.P. nominal mm [in] | P.T. max. mm [in] | D.T. min. mm [in] | O.T. max. mm [in] | Mounting holes |
|---|---------------------------|-------------------------------|-----------------------------------|--------------------|------------|---------------------|----------------------|-------------------------|----------------------|----------------------|----------------------|----------------|
|  <p>Short Straight Lever</p> | V15H10-EZ200B01 | 10 A (---) | H10 | 150 °C | SPDT | 140 [4.94] | 20 [0.71] | 15,3 [0.60] | 2,4 [0.09] | 0,6 [0.023] | 1,2 [0.05] | Metric |
| | V15T10-CZ100A01 | 11 A (10 A) | T10 | 125 °C | SPDT | 100 [3.53] | 25 [0.88] | 15,3 [0.60] | 1,6 [0.06] | 0,4 [0.02] | 0,8 [0.03] | Metric |
| | V15H16-EZ100A01 | 16 A (16 A) | 16 | 150 °C | SPDT | 100 [3.53] | 25 [0.88] | 15,3 [0.60] | 1,6 [0.06] | 0,4 [0.02] | 0,8 [0.03] | Metric |
| | V15H16-EZ400A01 | 16 A (16 A) | 16 | 150 °C | SPDT | 400 [14.11] | 100 [3.53] | 15,3 [0.60] | 1,6 [0.06] | 0,4 [0.02] | 0,8 [0.03] | Metric |
| | V15T16-CC100A01 | 16 A (16 A) | 16 | 125 °C | SPNC | 100 [3.53] | 25 [0.88] | 15,3 [0.60] | 1,6 [0.06] | 0,4 [0.02] | 0,8 [0.03] | Metric |
| | V15T16-CP300A01 | 16 A (16 A) | 16 | 125 °C | SPNO | 300 [10.58] | 75 [2.65] | 15,3 [0.60] | 1,6 [0.06] | 0,4 [0.02] | 0,8 [0.03] | Metric |
| | V15T16-E1Z100A01-K | 16 A (16 A) | 16 | 125 °C | SPDT | 100 [3.53] | 25 [0.88] | 15,3 [0.60] | 1,6 [0.06] | 0,4 [0.02] | 0,8 [0.03] | USA |
| | V15T16-EP200A01 | 16 A (16 A) | 16 | 125 °C | SPNO | 200 [7.05] | 50 [1.76] | 15,3 [0.60] | 1,6 [0.06] | 0,4 [0.02] | 0,8 [0.03] | Metric |
| | V15T16-EZ200A01-K | 16 A (16 A) | 16 | 125 °C | SPDT | 200 [7.05] | 50 [1.76] | 15,3 [0.60] | 1,6 [0.06] | 0,4 [0.02] | 0,8 [0.03] | USA |
|  <p>Standard Straight Lever</p> | V15S05-CZ025B02 | 5 A (5 A) | 05 | 85 °C | SPDT | 10 [0.35] | 2 [0.07] | 15,3 [0.60] | 6,0 [0.24] | 1,65 [0.064] | 2,2 [0.086] | Metric |
| | V15S05-EZ025A02 | 5 A (5 A) | 05 | 85 °C | SPDT | 15 [0.53] | 2 [0.07] | 15,3 [0.60] | 3,2 [0.126] | 1,2 [0.047] | 1,3 [0.051] | Metric |
| | V15H10-CC200A02 | 10 A (---) | H10 | 150 °C | SPNC | 120 [4.23] | 20 [0.71] | 15,3 [0.60] | 3,2 [0.126] | 1,2 [0.047] | 1,3 [0.051] | Metric |
| | V15T10-CZ050A02 | 11 A (10 A) | T10 | 125 °C | SPDT | 30 [1.06] | 5 [0.18] | 15,3 [0.60] | 3,2 [0.126] | 1,2 [0.047] | 1,3 [0.051] | Metric |
| | V15H16-CP100A02 | 16 A (16 A) | 16 | 150 °C | SPNO | 60 [2.12] | 10 [0.35] | 15,3 [0.60] | 3,2 [0.126] | 1,2 [0.047] | 1,3 [0.051] | Metric |
| | V15H16-CZ100A02 | 16 A (16 A) | 16 | 150 °C | SPDT | 60 [2.12] | 10 [0.35] | 15,3 [0.60] | 3,2 [0.126] | 1,2 [0.047] | 1,3 [0.051] | Metric |
| | V15H16-CZ200A02 | 16 A (16 A) | 16 | 150 °C | SPDT | 120 [4.23] | 20 [0.71] | 15,3 [0.60] | 3,2 [0.126] | 1,2 [0.047] | 1,3 [0.051] | Metric |
| | V15H16-EP400A02-K | 16 A (16 A) | 16 | 150 °C | SPNO | 240 [8.47] | 40 [1.41] | 15,3 [0.60] | 3,2 [0.126] | 1,2 [0.047] | 1,3 [0.051] | USA |
| | V15H16-EZ200B02 | 16 A (16 A) | 16 | 150 °C | SPDT | 80 [2.82] | 16 [0.56] | 15,3 [0.60] | 6,0 [0.24] | 1,65 [0.064] | 2,2 [0.09] | Metric |
| | V15T16-CP300A02 | 16 A (16 A) | 16 | 125 °C | SPNO | 180 [6.35] | 30 [1.06] | 15,3 [0.60] | 3,2 [0.126] | 1,2 [0.047] | 1,3 [0.051] | Metric |
| | V15T16-CZ100A02 | 16 A (16 A) | 16 | 125 °C | SPDT | 60 [2.12] | 10 [0.35] | 15,3 [0.60] | 3,2 [0.126] | 1,2 [0.047] | 1,3 [0.051] | Metric |
| | V15T16-DZ100A02 | 16 A (16 A) | 16 | 125 °C | SPDT | 60 [2.12] | 10 [0.35] | 15,3 [0.60] | 3,2 [0.126] | 1,2 [0.047] | 1,3 [0.051] | Metric |
| | V15T16-MZ200A02 | 16 A (16 A) | 16 | 125 °C | SPDT | 120 [4.23] | 20 [0.71] | 15,3 [0.60] | 3,2 [0.126] | 1,2 [0.047] | 1,3 [0.051] | Metric |
| | V15T22-CZ300A02 | 22 A (22 A) | 22 | 125 °C | SPDT | 180 [6.35] | 30 [1.06] | 15,3 [0.60] | 3,2 [0.126] | 1,2 [0.047] | 1,3 [0.051] | Metric |
| | V15H22-CP100A02 | 22 A (22 A) | 22 | 150 °C | SPNO | 60 [2.12] | 10 [0.35] | 15,3 [0.60] | 3,2 [0.126] | 1,2 [0.047] | 1,3 [0.051] | Metric |
| | V15H22-CZ100A02 | 22 A (22 A) | 22 | 150 °C | SPDT | 60 [2.12] | 10 [0.35] | 15,3 [0.60] | 3,2 [0.126] | 1,2 [0.047] | 1,3 [0.051] | Metric |
| V15T22-KC200A02 | 22 A (22 A) | 22 | 125 °C | SPNC | 120 [4.23] | 20 [0.71] | 15,3 [0.60] | 3,2 [0.126] | 1,2 [0.047] | 1,3 [0.051] | Metric | |

MICRO SWITCH™ Standard Basic Switches, V15 Series

PRODUCT SPECIFICATIONS AND LISTINGS

Contact your Honeywell rep or distributor for additional listings

O.F. • Operating force O.T. • Overtravel
 R.F. • Release force D.T. • Differential travel
 P.T. • Pretravel O.P. • Operating position

| | Catalog Listing | Elec. Rating UL/cUL (ENEC) | Electrical Rating (see page 5) | Temperature Rating | Circuitry | O.F. max. g [oz] | R. F. max. g [oz] | O.P. nominal mm [in] | P.T. max. mm [in] | D.T. min. mm [in] | O.T. max. mm [in] | Mounting holes |
|---|-------------------|-------------------------------|-----------------------------------|--------------------|-----------|---------------------|----------------------|-------------------------|----------------------|----------------------|----------------------|----------------|
|  Long Straight Lever | V15H10-FP200A03 | 10 A (---) | H10 | 150 °C | SPNO | 60 [2.12] | 10 [0.35] | 15,3 [0.60] | 6,4 [0.25] | 2,4 [0.09] | 2,6 [0.10] | Metric |
| | V15T10-CZ200A03 | 11 A (10 A) | T10 | 125 °C | SPDT | 60 [2.12] | 10 [0.35] | 15,3 [0.60] | 6,4 [0.25] | 2,4 [0.09] | 2,6 [0.10] | Metric |
| | V15H16-CZ100A03-K | 16 A (16 A) | 16 | 150 °C | SPDT | 30 [1.06] | 5 [0.18] | 15,3 [0.60] | 6,4 [0.25] | 2,4 [0.09] | 2,6 [0.10] | USA |
| | V15H16-CZ300A03-K | 16 A (16 A) | 16 | 150 °C | SPDT | 90 [3.17] | 15 [0.53] | 15,3 [0.60] | 6,4 [0.25] | 2,4 [0.09] | 2,6 [0.10] | USA |
| | V15T16-CZ100A03 | 16 A (16 A) | 16 | 125 °C | SPDT | 30 [1.06] | 5 [0.18] | 15,3 [0.60] | 6,4 [0.25] | 2,4 [0.09] | 2,6 [0.10] | Metric |
| | V15T16-DZ100A03 | 16 A (16 A) | 16 | 125 °C | SPDT | 30 [1.06] | 5 [0.18] | 15,3 [0.60] | 6,4 [0.25] | 2,4 [0.09] | 2,6 [0.10] | Metric |
| | V15T16-EZ200A03-K | 16 A (16 A) | 16 | 125 °C | SPDT | 60 [2.12] | 10 [0.35] | 15,3 [0.60] | 6,4 [0.25] | 2,4 [0.09] | 2,6 [0.10] | USA |
| | V15H22-CP200B03 | 22 A (22 A) | 22 | 150 °C | SPNO | 32 [1.13] | 8 [0.28] | 15,3 [0.60] | 12 [0.47] | 3,5 [0.14] | 5,3 [0.21] | Metric |
| | V15H22-CZ300A03-K | 22 A (22 A) | 22 | 150 °C | SPDT | 90 [3.17] | 15 [0.53] | 15,3 [0.60] | 6,4 [0.25] | 2,4 [0.09] | 2,6 [0.10] | USA |
| | V15T22-CZ100A03 | 22 A (22 A) | 22 | 125 °C | SPDT | 30 [1.06] | 5 [0.18] | 15,3 [0.60] | 6,4 [0.25] | 2,4 [0.09] | 2,6 [0.10] | Metric |
| | V15T26-CZ200A03 | --- (26 A) | 26 | 125 °C | SPDT | 60 [2.12] | 10 [0.35] | 15,3 [0.60] | 6,4 [0.25] | 2,4 [0.09] | 2,6 [0.10] | Metric |
|  Simulated Roller | V15H16-CZ200B04 | 16A (16A) | 16 | 150 °C | SPDT | 80 [2.82] | 15 [0.53] | 18,5 [0.73] | 6,0 [0.24] | 1,65 [0.064] | 2,2 [0.09] | Metric |
| | V15H16-CZ300A04 | 16A (16A) | 16 | 150 °C | SPDT | 180 [6.35] | 30 [1.06] | 18,5 [0.73] | 3,2 [0.13] | 1,2 [0.05] | 1,3 [0.05] | Metric |
| | V15T16-CZ100A04 | 16A (16A) | 16 | 125 °C | SPDT | 60 [2.12] | 10 [0.35] | 18,5 [0.73] | 3,2 [0.13] | 1,2 [0.05] | 1,3 [0.05] | Metric |
| | V15T16-DZ100A04 | 16A (16A) | 16 | 125 °C | SPDT | 60 [2.12] | 10 [0.35] | 18,5 [0.73] | 3,2 [0.13] | 1,2 [0.05] | 1,3 [0.05] | Metric |
| | V15T16-EZ200A04-K | 16A (16A) | 16 | 125 °C | SPDT | 120 [4.23] | 20 [0.71] | 18,5 [0.73] | 3,2 [0.13] | 1,2 [0.05] | 1,3 [0.05] | USA |
| | V15H22-CZ200B04-K | 22 A (22 A) | 22 | 150 °C | SPDT | 80 [2.82] | 15 [0.53] | 18,5 [0.73] | 6,0 [0.24] | 1,65 [0.064] | 2,2 [0.09] | USA |
| | V15T22-CP200A04 | 22 A (22 A) | 22 | 125 °C | SPNO | 120 [4.23] | 20 [0.71] | 18,5 [0.73] | 3,2 [0.13] | 1,2 [0.05] | 1,3 [0.05] | Metric |
| | V15T22-CZ300A04 | 22 A (22 A) | 22 | 125 °C | SPDT | 180 [6.35] | 30 [1.06] | 18,5 [0.73] | 3,2 [0.13] | 1,2 [0.05] | 1,3 [0.05] | Metric |
| | V15T22-DC200A04 | 22 A (22 A) | 22 | 125 °C | SPNC | 120 [4.23] | 20 [0.71] | 18,5 [0.73] | 3,2 [0.13] | 1,2 [0.05] | 1,3 [0.05] | Metric |
| | V15T22-TP200A04 | 22 A (22 A) | 22 | 125 °C | SPNO | 120 [4.23] | 20 [0.71] | 18,5 [0.73] | 3,2 [0.13] | 1,2 [0.05] | 1,3 [0.05] | Metric |
| | V15T26-CZ300A04 | --- (26 A) | 26 | 125 °C | SPDT | 180 [6.35] | 30 [1.06] | 18,5 [0.73] | 3,2 [0.13] | 1,2 [0.05] | 1,3 [0.05] | Metric |

MICRO SWITCH™ Standard Basic Switches, V15 Series

PRODUCT SPECIFICATIONS AND LISTINGS

Contact your Honeywell rep or distributor for additional listings

O.F. • Operating force O.T. • Overtravel
 R.F. • Release force D.T. • Differential travel
 P.T. • Pretravel O.P. • Operating position

| Catalog Listing | Elec. Rating UL/cUL (ENEC) | Electrical Rating (see page 5) | Temperature Rating | Circuitry | O.F. max. g [oz] | R. F. max. g [oz] | O.P. nominal mm [in] | P.T. max. mm [in] | D.T. min. mm [in] | O.T. max. mm [in] | Mounting holes |
|------------------------|-------------------------------|-----------------------------------|--------------------|-----------|---------------------|----------------------|-------------------------|----------------------|----------------------|----------------------|----------------|
| V15S05-EZ050A05 | 5 A (5 A) | 05 | 85 °C | SPDT | 60 [2.12] | 10 [0.35] | 20,6 [0.81] | 1,6 [0.06] | 0,4 [0.02] | 0,8 [0.03] | Metric |
| V15S05-EZ100A05 | 5 A (5 A) | 05 | 85 °C | SPDT | 120 [4.23] | 20 [0.71] | 20,6 [0.81] | 1,6 [0.06] | 0,4 [0.02] | 0,8 [0.03] | Metric |
| V15T10-EZ200A05 | 11 A (10 A) | T10 | 125 °C | SPDT | 240 [8.47] | 40 [1.41] | 20,6 [0.81] | 1,6 [0.06] | 0,4 [0.02] | 0,8 [0.03] | Metric |
| V15H16-CZ100A05 | 16 A (16 A) | 16 | 150 °C | SPDT | 120 [4.23] | 20 [0.71] | 20,6 [0.81] | 1,6 [0.06] | 0,4 [0.02] | 0,8 [0.03] | Metric |
| V15H16-EP100A05 | 16 A (16 A) | 16 | 150 °C | SPNO | 120 [4.23] | 20 [0.71] | 20,6 [0.81] | 1,6 [0.06] | 0,4 [0.02] | 0,8 [0.03] | Metric |
| V15H16-EZ200A05 | 16 A (16 A) | 16 | 150 °C | SPDT | 240 [8.47] | 40 [1.41] | 20,6 [0.81] | 1,6 [0.06] | 0,4 [0.02] | 0,8 [0.03] | Metric |
| V15T16-CC100A05 | 16 A (16 A) | 16 | 125 °C | SPNC | 120 [4.23] | 20 [0.71] | 20,6 [0.81] | 1,6 [0.06] | 0,4 [0.02] | 0,8 [0.03] | Metric |
| V15T16-CZ100A05 | 16 A (16 A) | 16 | 125 °C | SPDT | 120 [4.23] | 20 [0.71] | 20,6 [0.81] | 1,6 [0.06] | 0,4 [0.02] | 0,8 [0.03] | Metric |
| V15T16-DZ100A05 | 16 A (16 A) | 16 | 125 °C | SPDT | 120 [4.23] | 20 [0.71] | 20,6 [0.81] | 1,6 [0.06] | 0,4 [0.02] | 0,8 [0.03] | Metric |
| V15T16-EZ200A05 | 16 A (16 A) | 16 | 125 °C | SPDT | 240 [8.47] | 40 [1.41] | 20,6 [0.81] | 1,6 [0.06] | 0,4 [0.02] | 0,8 [0.03] | Metric |
| V15T16-EP200A05 | 16 A (16 A) | 16 | 125 °C | SPNO | 240 [8.47] | 40 [1.41] | 20,6 [0.81] | 1,6 [0.06] | 0,4 [0.02] | 0,8 [0.03] | Metric |
| V15T16-EZ100A05 | 16 A (16 A) | 16 | 125 °C | SPDT | 120 [4.23] | 20 [0.71] | 20,6 [0.81] | 1,6 [0.06] | 0,4 [0.02] | 0,8 [0.03] | Metric |
| V15T16-MZ200A05 | 16 A (16 A) | 16 | 125 °C | SPDT | 240 [8.47] | 40 [1.41] | 20,6 [0.81] | 1,6 [0.06] | 0,4 [0.02] | 0,8 [0.03] | Metric |
| V15H22-CZ100A05 | 22 A (22 A) | 22 | 150 °C | SPDT | 120 [4.23] | 20 [0.71] | 20,6 [0.81] | 1,6 [0.06] | 0,4 [0.02] | 0,8 [0.03] | Metric |
| V15T22-CZ200A05 | 22 A (22 A) | 22 | 125 °C | SPDT | 240 [8.47] | 40 [1.41] | 20,6 [0.81] | 1,6 [0.06] | 0,4 [0.02] | 0,8 [0.03] | Metric |




Short Roller Lever

MICRO SWITCH™ Standard Basic Switches, V15 Series

PRODUCT SPECIFICATIONS AND LISTINGS

Contact your Honeywell rep or distributor for additional listings

O.F. • Operating force O.T. • Overtravel
 R.F. • Release force D.T. • Differential travel
 P.T. • Pretravel O.P. • Operating position

| | Catalog Listing | Elec. Rating UL/cUL (ENEC) | Electrical Rating (see page 5) | Temperature Rating | Circuitry | O.F. max. g [oz] | R. F. max. g [oz] | O.P. nominal mm [in] | P.T. max. mm [in] | D.T. min. mm [in] | O.T. max. mm [in] | Mounting holes |
|---|-------------------|-------------------------------|-----------------------------------|--------------------|-----------|---------------------|----------------------|-------------------------|----------------------|----------------------|----------------------|----------------|
|  <p>Roller Lever</p> | V15S05-CP200A06 | 5 A (5 A) | 05 | 85 °C | SPNO | 120 [4.23] | 20 [0.71] | 20,6 [0.81] | 3,2 [0.13] | 1,2 [0.05] | 1,3 [0.05] | Metric |
| | V15S05-EZ050A06 | 5 A (5 A) | 05 | 85 °C | SPDT | 35 [1.23] | 5 [0.18] | 20,6 [0.81] | 3,2 [0.13] | 1,2 [0.05] | 1,3 [0.05] | Metric |
| | V15T10-EZ200A06 | 11 A (10 A) | T10 | 125 °C | SPDT | 120 [4.23] | 20 [0.71] | 20,6 [0.81] | 3,2 [0.13] | 1,2 [0.05] | 1,3 [0.05] | Metric |
| | V15H16-CZ100A06-K | 16 A (16 A) | 16 | 150 °C | SPDT | 60 [2.12] | 10 [0.35] | 20,6 [0.81] | 3,2 [0.13] | 1,2 [0.05] | 1,3 [0.05] | USA |
| | V15H16-EP200B06 | 16 A (16 A) | 16 | 150 °C | SPNO | 80 [2.82] | 10 [0.35] | 20,6 [0.81] | 6,0 [0.24] | 1,6 [0.06] | 2,2 [0.09] | Metric |
| | V15T16-CP200A06 | 16 A (16 A) | 16 | 125 °C | SPNO | 120 [4.23] | 20 [0.71] | 20,6 [0.81] | 3,2 [0.13] | 1,2 [0.05] | 1,3 [0.05] | Metric |
| | V15T16-CZ100A06 | 16 A (16 A) | 16 | 125 °C | SPDT | 60 [2.12] | 10 [0.35] | 20,6 [0.81] | 3,2 [0.13] | 1,2 [0.05] | 1,3 [0.05] | Metric |
| | V15T16-DZ100A06 | 16 A (16 A) | 16 | 125 °C | SPDT | 60 [2.12] | 10 [0.35] | 20,6 [0.81] | 3,2 [0.13] | 1,2 [0.05] | 1,3 [0.05] | Metric |
| | V15T16-EZ100A06 | 16 A (16 A) | 16 | 125 °C | SPDT | 60 [2.12] | 10 [0.35] | 20,6 [0.81] | 3,2 [0.13] | 1,2 [0.05] | 1,3 [0.05] | Metric |
| | V15T16-MZ200A06 | 16 A (16 A) | 16 | 125 °C | SPDT | 120 [4.23] | 20 [0.71] | 20,6 [0.81] | 3,2 [0.13] | 1,2 [0.05] | 1,3 [0.05] | Metric |
| | V15H22-CZ100A06 | 22 A (22 A) | 22 | 150 °C | SPDT | 60 [2.12] | 10 [0.35] | 20,6 [0.81] | 3,2 [0.13] | 1,2 [0.05] | 1,3 [0.05] | Metric |
| | V15T22-CZ200A06 | 22 A (22 A) | 22 | 125 °C | SPDT | 120 [4.23] | 20 [0.71] | 20,6 [0.81] | 3,2 [0.13] | 1,2 [0.05] | 1,3 [0.05] | Metric |

MICRO SWITCH™ Standard Basic Switches, V15 Series

MOUNTING DIMENSIONS

Figure 1. V15 Series Standard Switch Dimensions

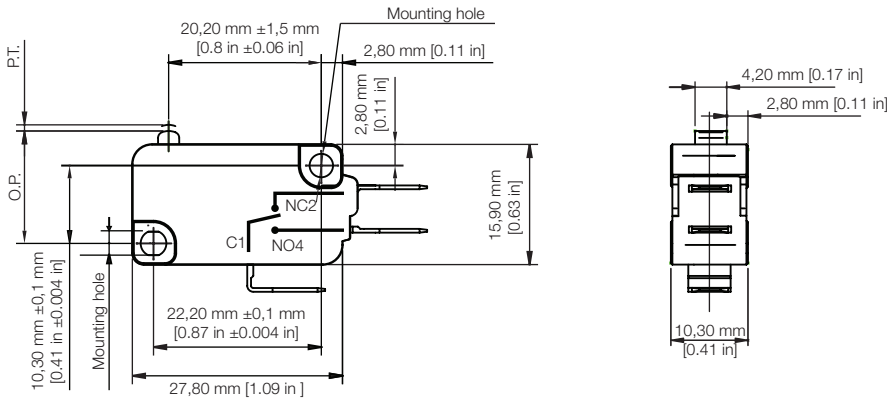


Figure 2. V15 Series Metric Mounting Hole Dimensions for Ø 3 mm pins or screws

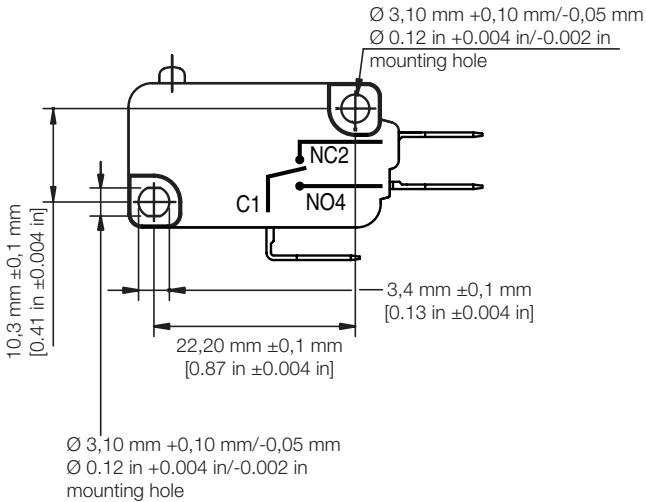


Figure 3. V15 Series USA Mounting Hole Dimensions for #4 screws

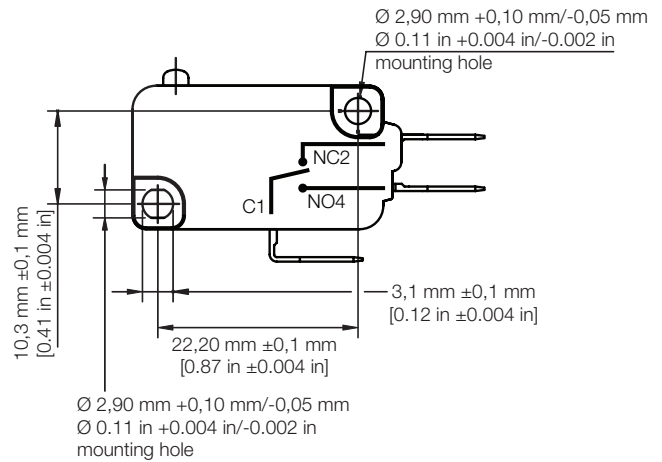


Figure 4. V15 Series Housing Dimensions

| Basic Housing Type | Flat Housing Type | Fully Flat Housing Type |
|--------------------------|--------------------------|-------------------------|
| <p>1,9 mm [0,075 in]</p> | <p>1,0 mm [0,039 in]</p> | |

MICRO SWITCH™ Standard Basic Switches, V15 Series

CONNECTION DIMENSIONS

Figure 5. V15 Series C-style Quick Connect • 6,35 mm wide x 0,8 mm thick
[0.25 in wide x 0.031 in thick]

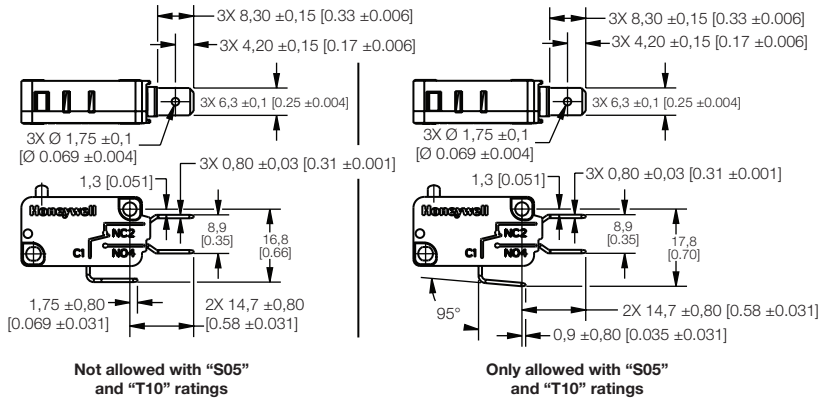


Figure 6. V15 Series H-style RAST-5 250# Connector

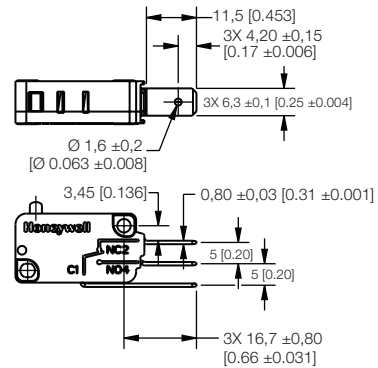


Figure 7. V15 Series D-style Quick Connect • 4,80 mm wide x 0,8 mm thick
[0.189 in wide x 0.031 in thick]

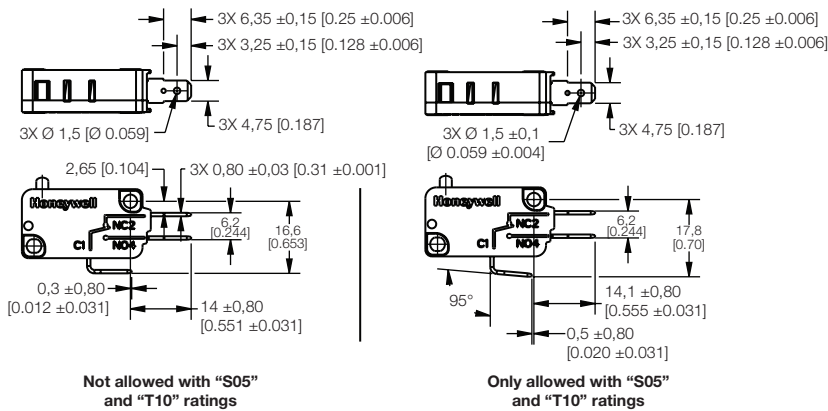


Figure 8. V15 Series N-style RAST-7 250# Connector

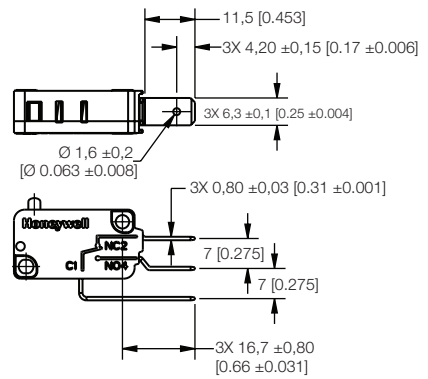


Figure 9. V15 Series E-style Quick Connect • 4,80 mm wide x 0,5 mm thick
[0.189 in wide x 0.020 in thick]

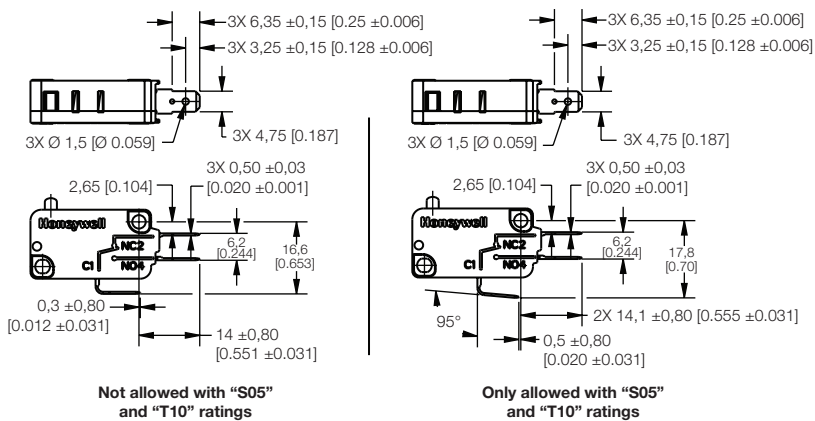
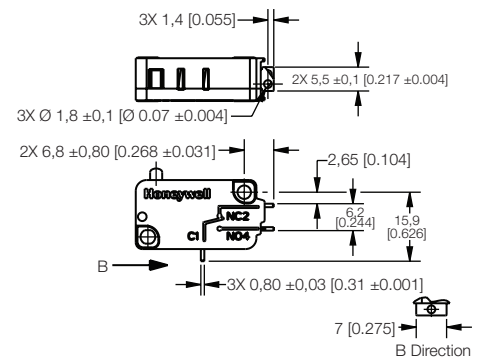


Figure 10. V15 Series M-style Short Solder Terminal



MICRO SWITCH™ Standard Basic Switches, V15 Series

CONNECTION DIMENSIONS

Figure 11. V15 Series K-style Slot-Hole Solder Terminal

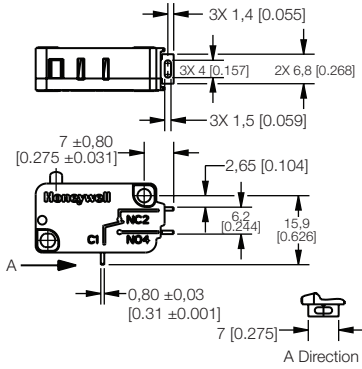


Figure 12. V15 Series S-style Solder Terminal

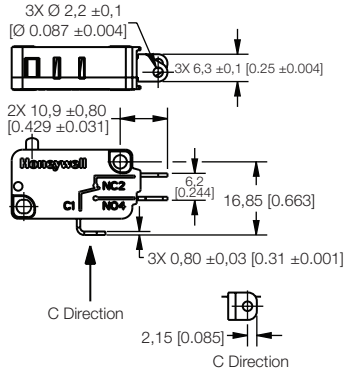


Figure 13. V15 Series T-style Screw Terminal

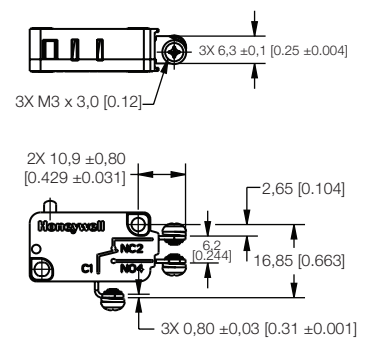


Figure 14. V15 Series L-style Left-Side PCB Terminal

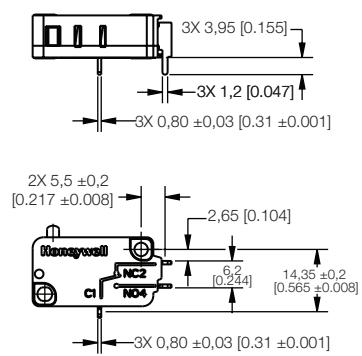


Figure 15. V15 Series P-style Straight PCB Terminal

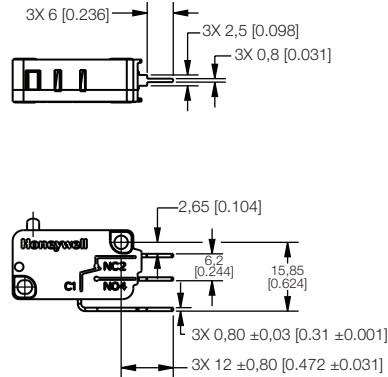


Figure 16. V15 Series R-style Right-Side PCB Terminal

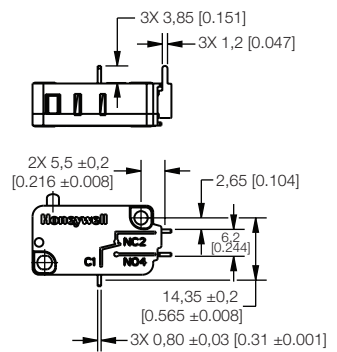


Figure 17. V15 Series F-style Screw Terminal with Pressure Plate

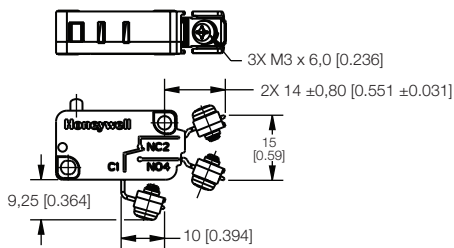
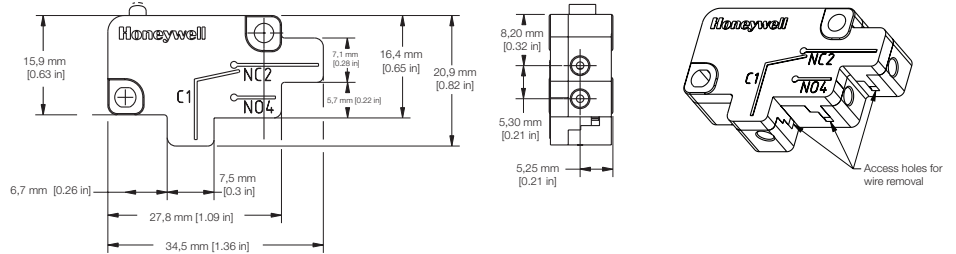


Figure 18. V15 Series U-Style Push-In Terminal (only allowed with V15S11)



MICRO SWITCH™ Standard Basic Switches, V15 Series

STANDARD LEVER OPTIONS • DIMENSIONS

Figure 19. V15 Series A01/Straight Short Lever

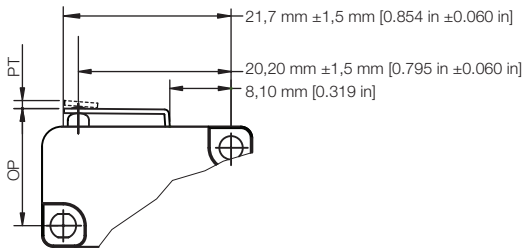


Figure 20. V15 Series A02/Standard Straight Lever

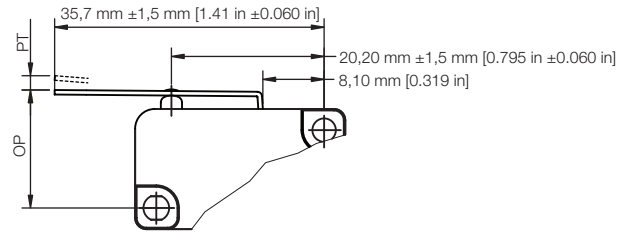


Figure 21. V15 Series A03/Long Straight Lever

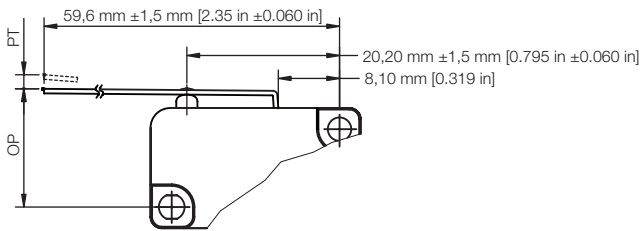


Figure 22. V15 Series A04/Simulated Roller Lever

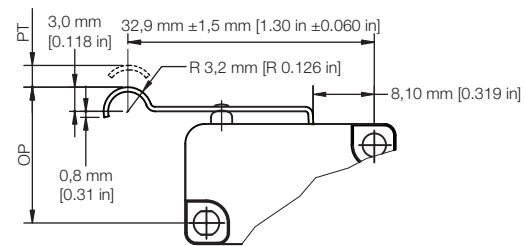


Figure 23. V15 Series A05/Short Roller Lever

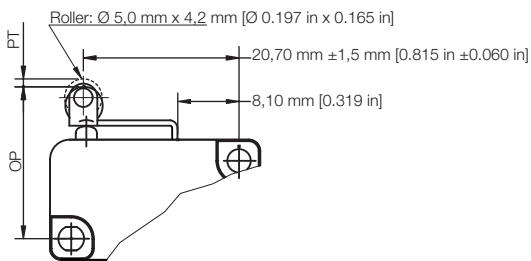
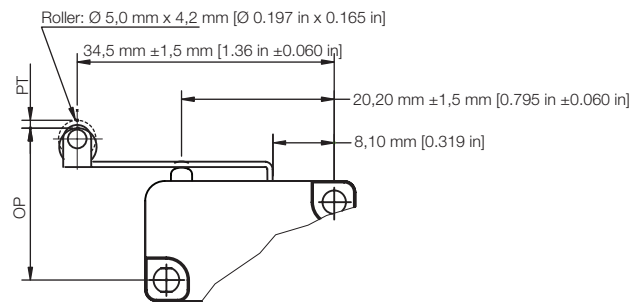
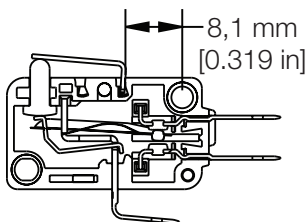


Figure 24. V15 Series A06/Roller Lever

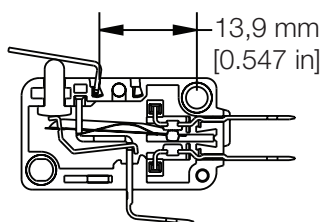


NOTE: These dimensions apply for the "A" lever position. For the "B" lever position, please add 5,7 mm [0.224 in].

Position A



Position B



ADDITIONAL MATERIALS

The following associated literature is available on the Honeywell web site at sensing.honeywell.com:

- Installation instructions
- Product part listing/nomenclature tree
- Product application-specific information
 - Application note: Electronic sensors and electromechanical switches in valves and flow meters
 - Application note: Electronic sensors and MICRO SWITCH™ switches in industrial air compressors
 - Application note: Sensors and switches for potential HVAC/R applications
 - Application note: Sensors and switches for valve monitors and valve indicators
 - Application note: Sensors and switches in sanitary valves
 - Case study: Switching it up
 - Technical bulletin: Applying precision switches

Find out more

Honeywell serves its customers through a worldwide network of sales offices, representatives and distributors. For application assistance, current specifications, pricing or name of the nearest Authorized Distributor, contact your local sales office.

To learn more about Honeywell's sensing and control products, call **+1-815-235-6847** or **1-800-537-6945**, visit **sensing.honeywell.com**, or e-mail inquiries to **info.sc@honeywell.com**

Honeywell Sensing and Productivity Solutions

9680 Old Bailes Road
Fort Mill, SC 29707
honeywell.com

004945-8-EN IL50 GLO
April 2016
© 2016 Honeywell International Inc. All rights reserved.

WARNING **PERSONAL INJURY**

DO NOT USE these products as safety or emergency stop devices or in any other application where failure of the product could result in personal injury.

Failure to comply with these instructions could result in death or serious injury.

WARNING **MISUSE OF DOCUMENTATION**

- The information presented in this product sheet is for reference only. Do not use this document as a product installation guide.
- Complete installation, operation, and maintenance information is provided in the instructions supplied with each product.

Failure to comply with these instructions could result in death or serious injury.

Warranty/Remedy

Honeywell warrants goods of its manufacture as being free of defective materials and faulty workmanship. Honeywell's standard product warranty applies unless agreed to otherwise by Honeywell in writing; please refer to your order acknowledgement or consult your local sales office for specific warranty details. If warranted goods are returned to Honeywell during the period of coverage, Honeywell will repair or replace, at its option, without charge those items it finds defective. **The foregoing is buyer's sole remedy and is in lieu of all other warranties, expressed or implied, including those of merchantability and fitness for a particular purpose. In no event shall Honeywell be liable for consequential, special, or indirect damages.**

While we provide application assistance personally, through our literature and the Honeywell web site, it is up to the customer to determine the suitability of the product in the application.

Specifications may change without notice. The information we supply is believed to be accurate and reliable as of this printing. However, we assume no responsibility for its use.

Honeywell