

1P2S – Decompression units

Decompression units made of brass for industrial and laboratories uses.



FEATURES

Decompression units are made by polished stainless steel frames AISI 304L, containing a pressure regulator pickled brass. The unit has a bracket for wall mounting. The pressure regulators are provided with main valve balancing system. Constant outlet pressure regardless of inlet pressure variations.

Inlet pressure up to 50 bar.

Inlet connection: G 3/8" – M

Outlet connection: G 3/8" – M

Ø8 hose barb outlet connections for pressure up to 15 bar (217 psi), on request.

Outlet pressure gauge with accuracy class 1.6.

Stainless steel AISI 316L diaphragm for laboratory applications.

The product complies with the directive 2014/68/EU PED (Pressure Equipment Directive).

SPECIFICATIONS

Inlet connection: Ball valve G 3/8 – M

Outlet connection: G 3/8" – M threaded connection

On request: Ø8 Hose barb connector for outlet pressure up to 15 bar (217,5 psi)

Decompression unit weight: ~3 kg

Working temperature: -20 °C ÷ +60 °C (-4 °F ÷ +140 °F) for standard version

Main valve leakage classification: VI bubble tight

Degree of protection: IP25

Flow coefficient: $K_v = 1,1 \text{ Nm}^3/\text{h}$

Outlet pressure up to 15 bar (218 psi) is controlled by a diaphragm, greater pressures are controlled by a piston.

Stainless steel AISI 316L diaphragm for laboratory applications.

Two coupled diaphragms NBR + PTFE for industrial applications (PTFE wetted parts).

For further information, see R114's catalogues.

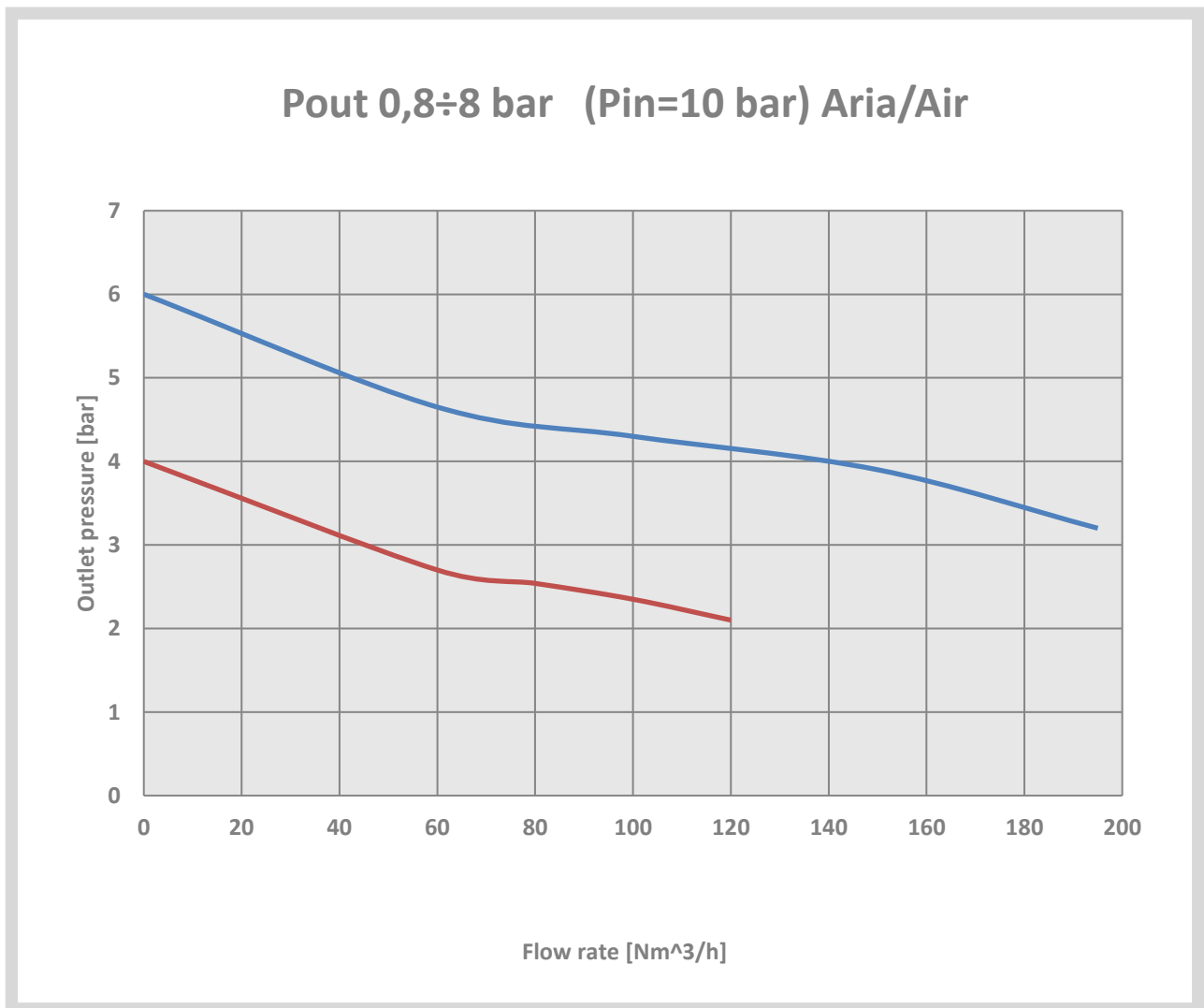
SPARE PARTS

Gauges

Complete kit: main valve, diaphragm, net filter, gaskets

Flow charts

[units of measure: bar – Nm³/h]



Generating the product code

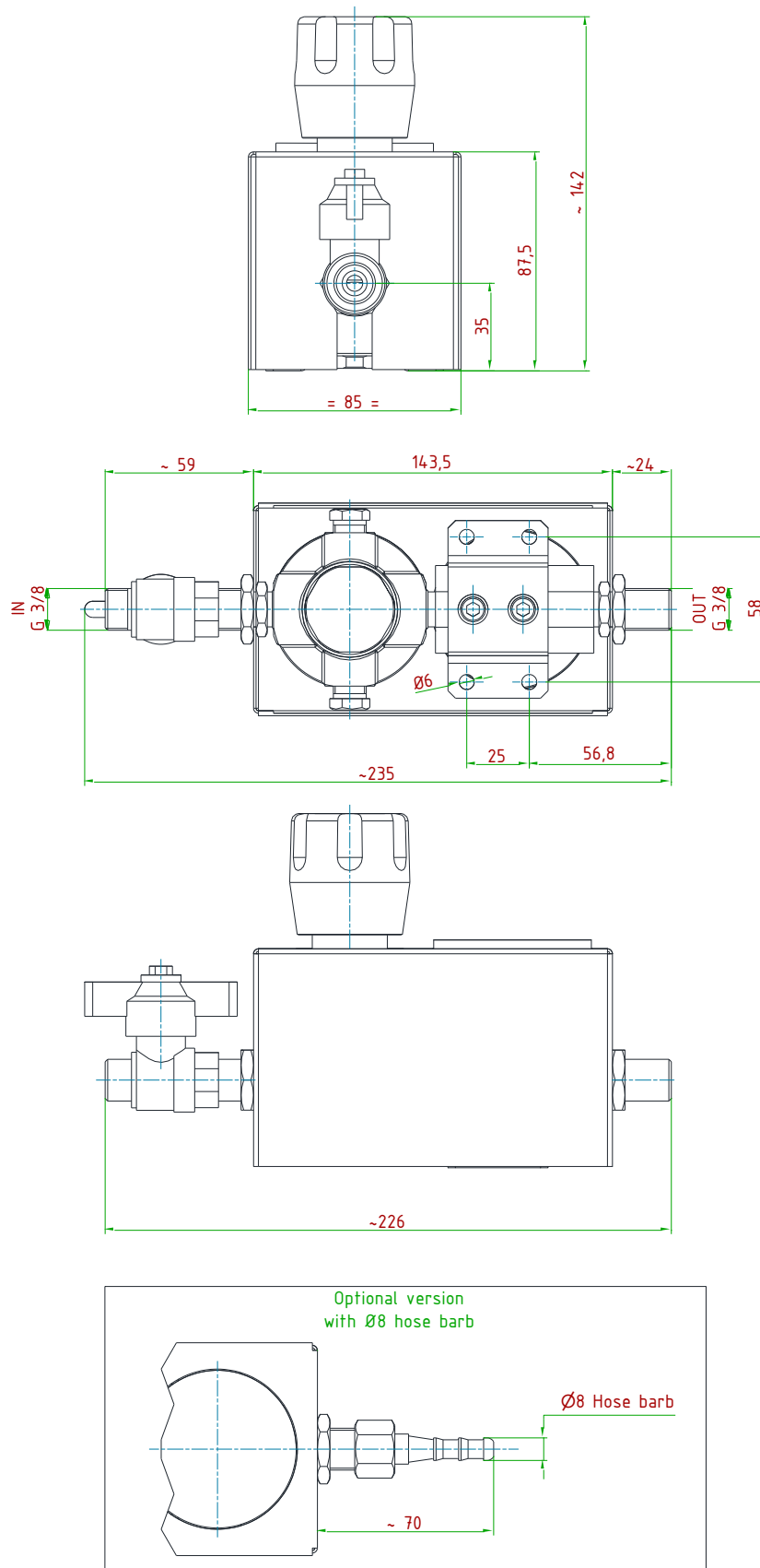
Posti presa secondo stadio / Decompression units			
AA BB CC DD EE FF			
AA	Tipologia di apparecchio / Device type	IN	Industriale
		LA	Laboratorio
		PI	Pistone
BB	Pressione d'ingresso / Inlet pressure	D0	PS 30bar
		E0	PS 50bar
		Q0	PS 1,5bar
CC	Pressione d'uscita / Outlet pressure	A0	Pout 0,2 ÷ 1,5 bar
		B0	Pout 0,3 ÷ 3 bar
		D0	Pout 0,8 ÷ 8 bar
		E0	Pout 1,5 ÷ 15 bar
		F0	Pout 3 ÷ 30 bar
DD	Tipologia di fluido / Type of fluid	15	O2
		95	NBR CAT.II
		97	NBR
		98	EPDM
EE	Marchiato / Marked	I0	ID
FF	Accessori / Accessories	00	Nessun accessorio
		01	Porta-gomma Ø 8

CODE COMPOSITION EXAMPLE

1P2S # IN D0 E0 98 I0 0

- IN** : Industriale
- D0** : PS 30bar
- E0** : Pout 1,5 ÷ 15 bar
- 98** : EPDM
- I0** : ID
- 00** : Nessun accessorio

Technical drawings [units of measure: mm]



ID Insert Deal Srl

Strada dei Boschi, 40
20852 Villasanta (MB) Italia
tel. +39 039 302035
info@idinsertdeal.com
www.idinsertdeal.com

ID Insert Deal si riserva il diritto di cambiare le specifiche del prodotto senza preavviso.
ID Insert Deal reserves the right to change and/or modify product specifications without prior notice.

Riproduzione vietata. Tutti i diritti riservati; nessuna parte del presente documento può essere riprodotta senza autorizzazione di ID Insert Deal Srl.
Reproduction forbidden. All rights reserved; the hereby document can't be reproduced, also partially, without the authorization of ID Insert Deal Srl.

POSTI_PRESA_1P2S_EN_00



Azienda con sistema di gestione qualità certificato.
certificato N° 50 100 9191
Company with certificated quality management system.
Certificate N° 50 100 9191