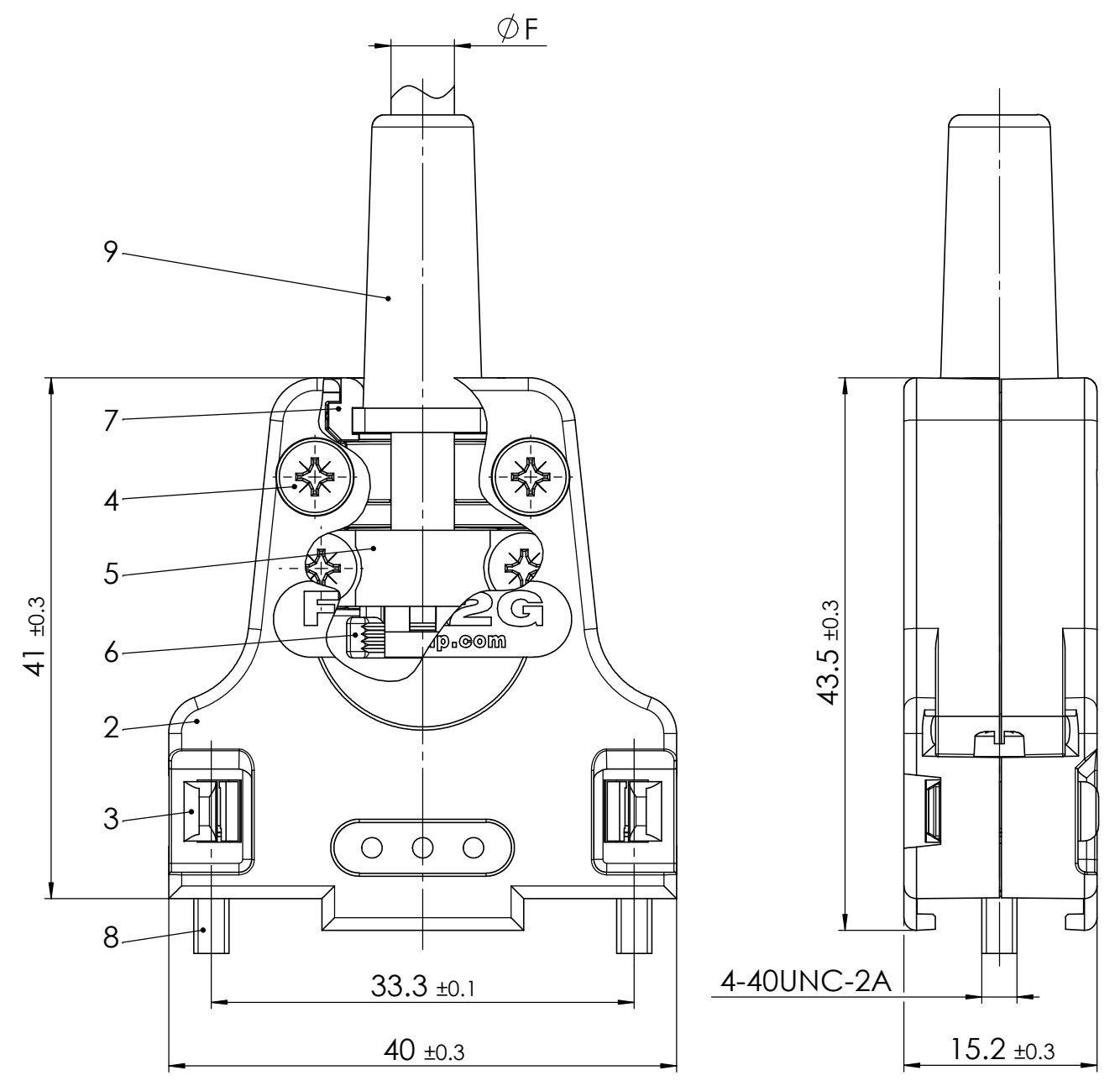


reverse side  
1:1

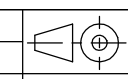
RoHS compliant

max. torque are 40 Ncm  
Part-No. 9 and 10 not mounted

øF1 = Cable diameter without rubber bushing ø3 - ø8.5mm  
øF2 = Cable diameter with rubber bushing max. 6.5mm



No.	St.	Part	Type	Description/Material	Surface plating/Colour/Class
10	2	High power contact	FMP006S204		AuroPur / 20A / AWG 12-16
9	1	Rubber bushing	TPE		black
8	2	Locking screw	FVS1/5-K1163 4-40 / Steel		nickel plated
7	2	Cable reduction plate	Zinc die-cast		nickel plated
6	1	Strain relief	ABS		nickel plated
5	1	Cable clamp	Steel		tin plated
4	4	Screw	Case hardened steel		zinc plated
3	2	Catch spring	PEI		black
2	1	Hood	FMK2G / Zinc die-cast		nickel plated
1	1	Mixed-Layout Connector	FM7W2SA-K121		



Measurement without tolerance occ. to ISO 2768-m

SCALE 2:1

TITLE

DRAWN ameyerrichte 13-10-2016

CHECKED BWittek 14-10-2016



Hood Connector Set

DWG.NO.

FMK2G-7W2SA-5935

REV.

1

REPLACEMENT FOR:

PAGES 1

COMMENT: ALL RIGHTS ARE RESERVED BY US FOR THIS DRAWING. WITHOUT OUR PRIOR CONSENT, IT MAY NEITHER BE DUBLICATED NOR MADE AVAILABLE TO A THIRD PARTY. AND IT ALSO MAY NOT BE IMPROPERLY USED BY THE RECEIVER, OR A THIRD PARTY.