

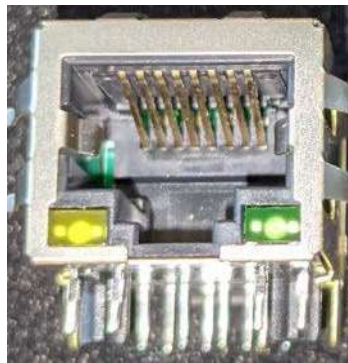
ECN/PCN No.: M1103

For Manufacturer		
Product Description: 10/100Base-TX RJ45, Tab Down, LED	Abracon Part Number / Part Series: ARJC02-111009D	<input type="checkbox"/> Series <input checked="" type="checkbox"/> Part Number
Affected Revision: A	New Revision: B	Application: <input type="checkbox"/> Safety <input checked="" type="checkbox"/> Non-Safety

Prior to Change:

Cosmetic Differences

Front (Faceplate) – Front faceplate and LEDs of the original production line.



Part Marking – Marking appears on the back-side of the device and marked using ink. (part number shown is for illustration only).



EMI Fingers – fingertips flare outward from body.



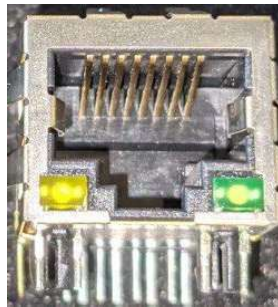
Board Guides – round board guides



After Change:

Cosmetic Differences

Front (Faceplate) – Front faceplate and LEDs of the new production line. LED lenses are slightly more diffused than original production line. This may cause slight variations in luminosity.



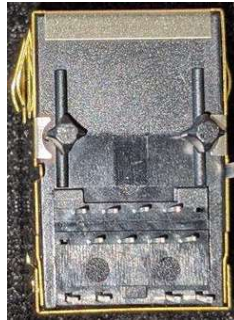
Part Marking – Part number will appear on top of device and laser marked (part number shown is for illustration only).



EMI Fingers – fingertips flare inward towards body.



Board Guides – Star board guides



Cause/Reason for Change:

Standard product review. Increased manufacturing lines to support volume.

Change Plan

Effective Date:

3/23/2020

Additional Remarks:

Change Declaration:

The changes described here do not negatively impact form, fit or function of the device. Device outline, mechanical dimensions, internal schematic and electrical performance remain identical.

Issued Date:

3/23/2020

Issued By:

Gerald Capwell

Issued Department:

Engineering

Approval:

Syed Raza
Engineering VP

Approval:

Reuben Quintanilla
Quality Manager

Approval:

Ying Huang
Purchasing Director

For Abracon EOL only

Last Time Buy (if applicable):

Alternate Part Number / Part Series:

Additional Approval:

Additional Approval:

Additional Approval:

Customer Approval (If Applicable)

Qualification Status:

Approved Not accepted

Note: It is considered approved if there is no feedback from the customer 1 month after ECN/PCN is released.

Customer Part Number:

Customer Project:

Company Name:

Company Representative:

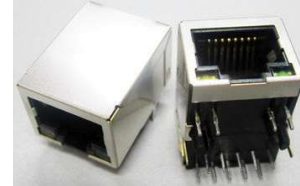
Representative Signature:

Customer Remarks:

10/100 Base-Tx Tap Down RJ45 with LED

ARJC02-111009D

RoHS/RoHS II Compliant



16.0 x 13.55 x 21.1mm

FEATURES:

- Compliant with IEEE802.3 standard
- 350uH minimum OCL with 8mA bias current
- High performance for maximum EMI suppression
- High reliability – 750 mating/unmating cycles

APPLICATIONS:

- Designed for most leading PHY IC manufacturers such as Broadcom, Marvell, Microsemi.
- Supports 10/100 Base-T Applications
- Provides signal conditioning, EMI suppression and signal isolation.

STANDARD SPECIFICATIONS

Operating temperature range: 0°C to +70°C Storage temperature range: -25°C to +85°C

Standard Electrical Specifications @25°C

Parameters	Minimum	Typical	Maximum	Units	Notes
Turn Ratio ($\pm 3\%$)	1CT:1CT				Tx and Rx
Inductance	350			uH	100kHz/0.1V@8mA
Insertion Loss			-1.0	dB	1-100MHz
Return Loss	-18			dB	1-10MHz
	-16				10-30MHz
	-14				30-60MHz
	-12				60-80MHz
	-10				80-100MHz
CMR	-35			dB	1-100MHz
Crosstalk	-35			dB	1-100MHz
Hipot	1500Vrms/1mA/1s				

MECHANICAL DIMENSIONS

GREEN LEFT LED
YELLOW RIGHT LED

Recommended Land Pattern

Dimensions: mm

**Cosmetic differences may occur and do not affect the product's form, fit or function.

10/100 Base-Tx Tap Down RJ45 with LED

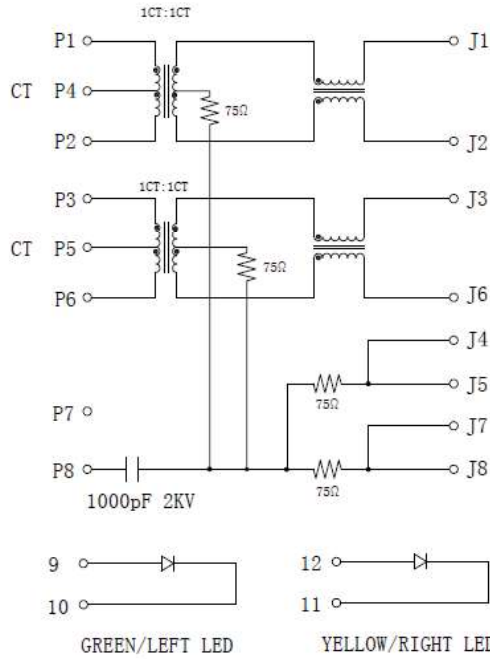
ARJC02-111009D

RoHS/RoHS II Compliant



16.0 x 13.55 x 21.1mm

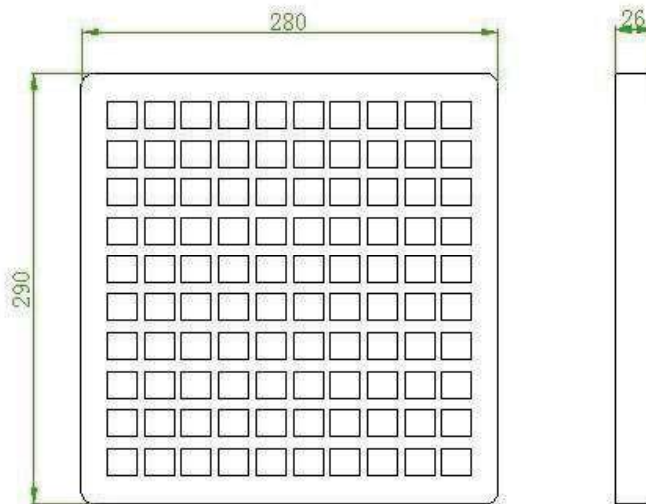
SCHEMATICS



- ◆ CAPACITOR: 1000pF ± 25% 2KV.
- ◆ RESISTANCE: 75OHMS ± 20%.
- ◆ RESISTANCE OF COIL: 1. 80HMS MAX, 0. 250HMS MIN.

PACKING:

Packing: (100pcs/tray)



Dimensions: mm

ATTENTION: Abracon LLC's products are COTS – Commercial-Off-The-Shelf products; suitable for Commercial, Industrial and, where designated, Automotive Applications. Abracon's products are not specifically designed for Military, Aviation, Aerospace, Life-dependent Medical applications or any application requiring high reliability where component failure could result in loss of life and/or property. For applications requiring high reliability and/or presenting an extreme operating environment, written consent and authorization from Abracon LLC is required. Please contact Abracon LLC for more information.



5101 Hidden Creek Ln Spicewood TX 78669
 Phone: 512-371-6159 | Fax: 512-351-8858
 For terms and conditions of sales, please visit:
www.abracon.com

REVISED: 05-6-20

ABRACON IS
 ISO9001-2015
 CERTIFIED