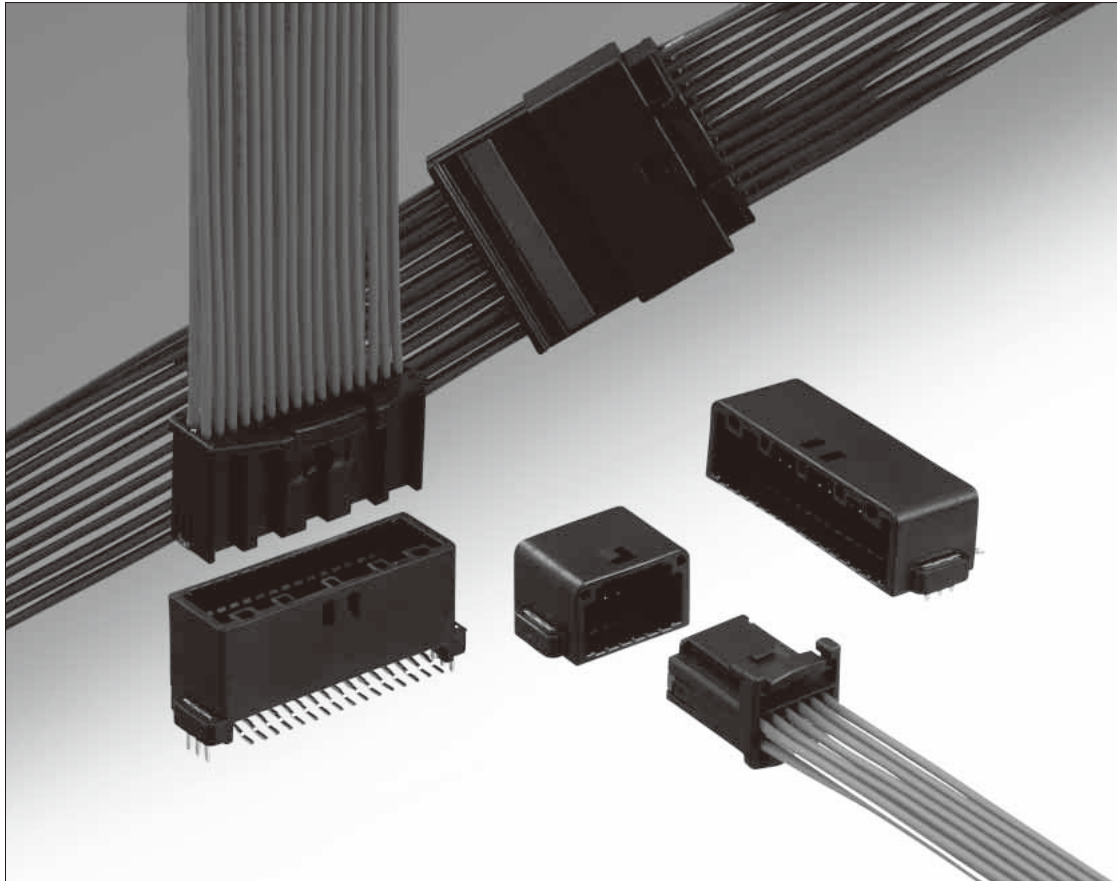


# GT25 Series

— SMT Multi-contact Connectors —



## ■ Features

- Metal holdowns to solder by reflow are used instead of screws for PCB mounting.
- The width of tab is 025 size.

## ■ Product Specifications

Rated Current	Insulation Resistance	Withstanding Voltage	Contact Resistance	Operating Temperature Range
3A (Note 1)	100M $\Omega$ min	AC650V for one minute	No more than 30m $\Omega$ (initially)	-40°C to +105°C (Note 2)

Note 1 : When using different conditions, please consult with Hirose.

Note 2 : Includes temperature rise caused by current flow.

GT5

GT13

GT16

PO5G

GT19

GT21

GT26

GT36

GT11

GT17

GT32

GT3

GT7

GT10

GT18W

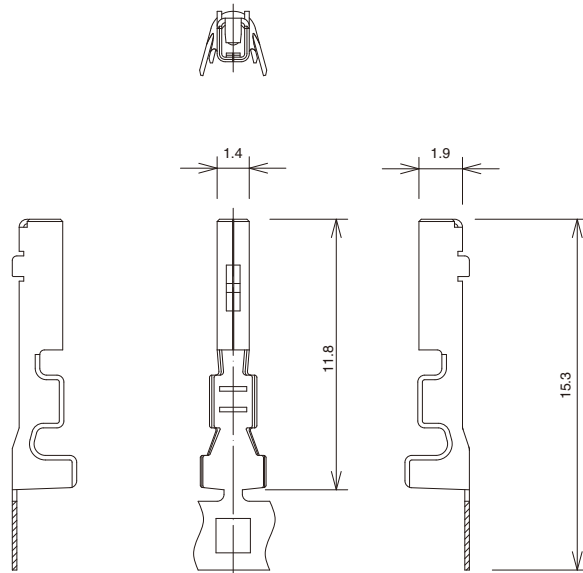
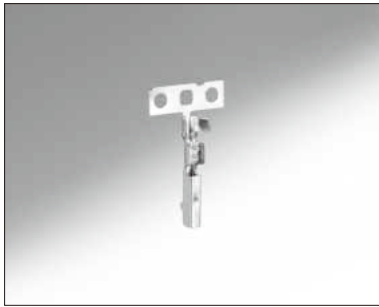
GT25

GT8E

GT9

GT15

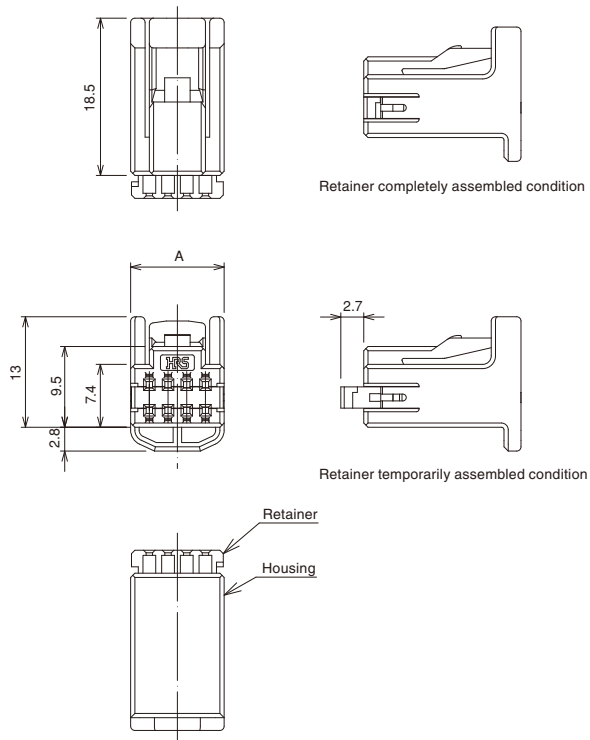
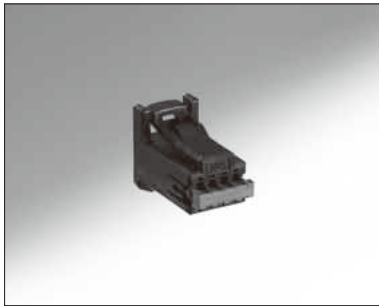
## F Terminal



Part No.	HRS No.	Material	Plating	Conductor Size (AWG)	Outer Diameter	Packaging	RoHS
GT25H-2024SCF	775-0039-6	Copper palloy	Tin plating	20 to 22 AWG	$\phi$ 1.0 to 1.7	10,000 pcs/reel	YES
GT25HB-2428SCF	775-0070-6			24 to 28 AWG	$\phi$ 0.5 to 1.0		

## F Connector

### ● Housing (Pre-assembled retainer)



Part No.	HRS No.	Color	Material	No. of Contacts	A Dimension	Packaging	RoHS
GT25-8DS-HU/R	775-0059-3	Housing : Black Retainer : Dark Gray	Housing : PPE Retainer : PBT	8	11	1	YES
GT25-12DS-HU/R	775-0062-8		PBT	12	15.4		
GT25-24DS-HU/R	775-0046-1		Housing : PPE Retainer : PBT	24	28.6		
GT25-32DS-HU/R	775-0044-6		PBT	32	37.4		

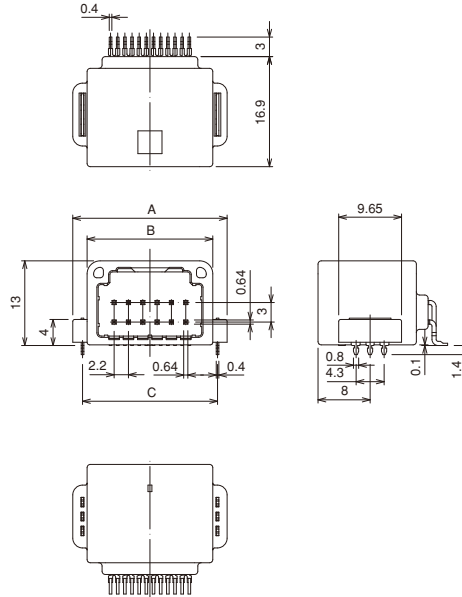
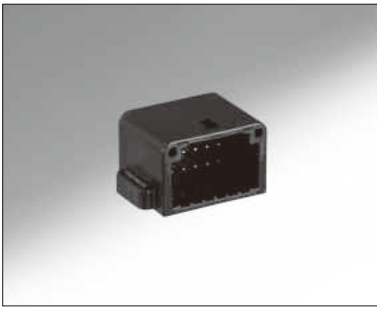
Note 1 : Pre-assembled retainer into housing body

Note 2 : After insert assembled contact, retainer has to be pushed-in correct position

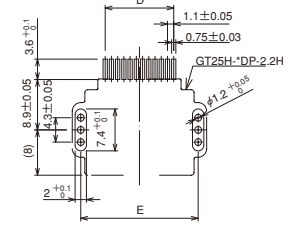
Note 3 : Available to purchase housing and retainer separately for repair.

- GT5
- GT13
- GT16
- PO5G
- GT19
- GT21
- GT26
- GT36
- GT11
- GT17
- GT32
- GT3
- GT7
- GT10
- GT18W
- GT25
- GT8E
- GT9
- GT15

**Improved prying force**

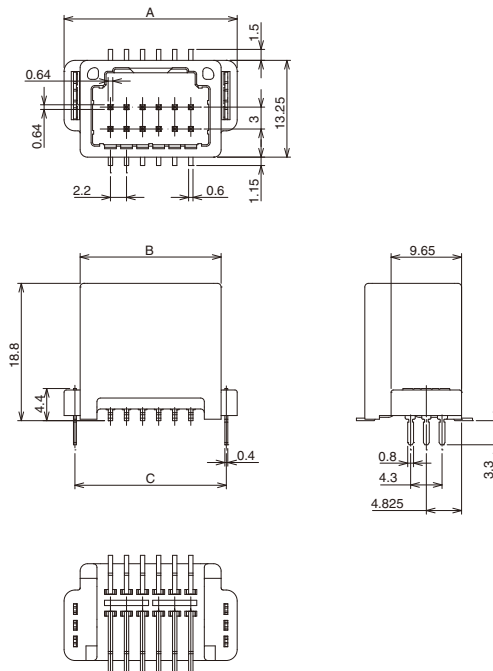
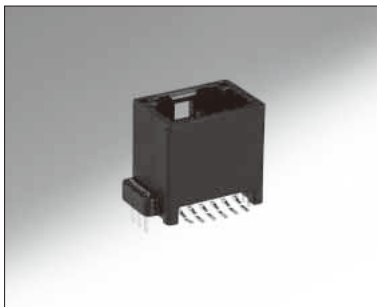


◆Recommended PCB pattern

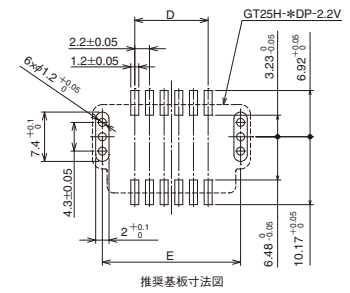


Part No.	HRS No.	Color	Material/ Plating	No. of Contacts	A Dimension	B Dimension	C Dimension	D Dimension	E Dimension	Packaging	RoHS
GT25H-12DP-2.2H	775-0038-3	Black	PPS Brass/ Tin plating	12	23.7	19.3	20.73	12.1±0.05	20.73±0.05	200 pcs/reel	YES
GT25H-20DP-2.2H	(Under development)			20	32.5	28.1	29.53	20.9±0.05	29.53±0.05		
GT25H-24DP-2.2H	775-0045-9			24	36.9	32.5	33.93	25.3±0.05	33.93±0.05		
GT25H-32DP-2.2H	(Under development)			32	45.7	41.3	42.73	34.1±0.05	42.73±0.05		

**Improved prying force**



◆Recommended PCB pattern



Part No.	HRS No.	Color	Material/ Plating	No. of Contacts	A Dimension	B Dimension	C Dimension	D Dimension	E Dimension	Packaging	RoHS
GT25H-12DP-2.2V	775-0050-9	Black	PPS Brass/ Tin plating	12	23.7	19.3	20.73	11±0.05	20.73±0.05	1	YES
GT25H-24DP-2.2V	(Under development)			24	36.9	32.5	33.93	24.2±0.05	33.93±0.05		
GT25H-32DP-2.2V	775-0053-7			32	45.7	41.3	42.73	33±0.05	42.73±0.05		

GT5

GT13

GT16

PO5G

GT19

GT21

GT26

GT36

GT11

GT17

GT32

GT3

GT7

GT10

GT18W

GT25

GT8E

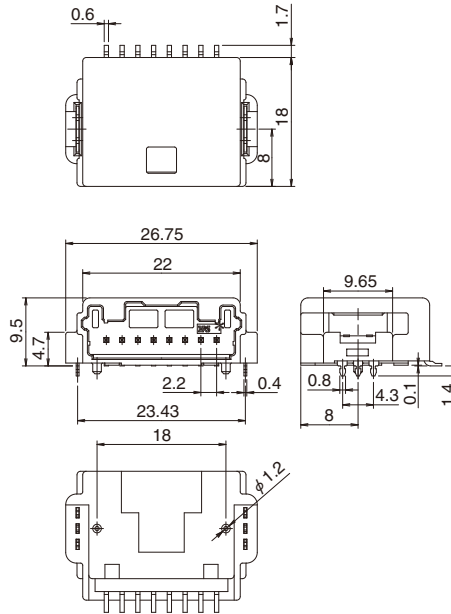
GT9

GT15

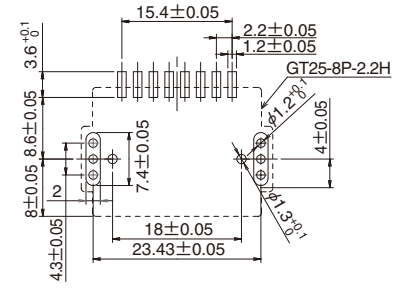
# M connector (PCB type)

## Right-angle Type

● 8 positions, 1 row

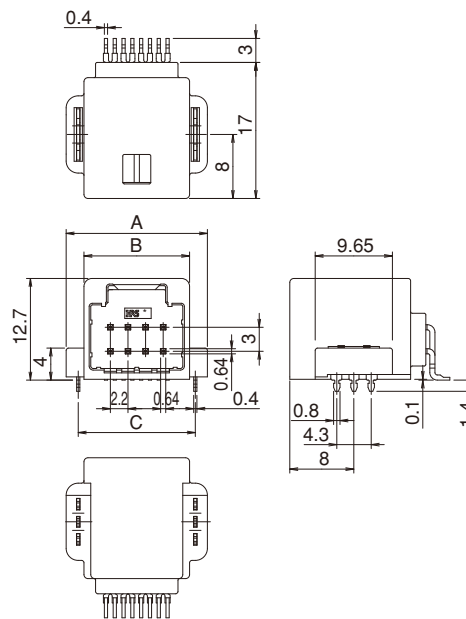


### Recommended PCB Pattern

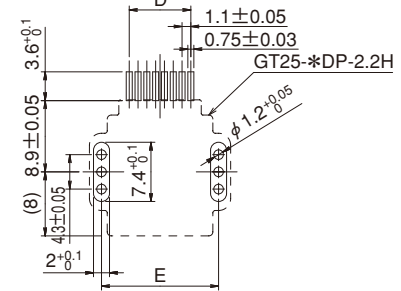


Part No.	HRS No.	Color	Material/Plating	Packaging	RoHS
GT25-8P-2.2H(70)	775-0001-3 70	Light Gray	PPS Brass/ Tin plating	200pcs/reel	YES

● 2 rows



### Recommended PCB Pattern



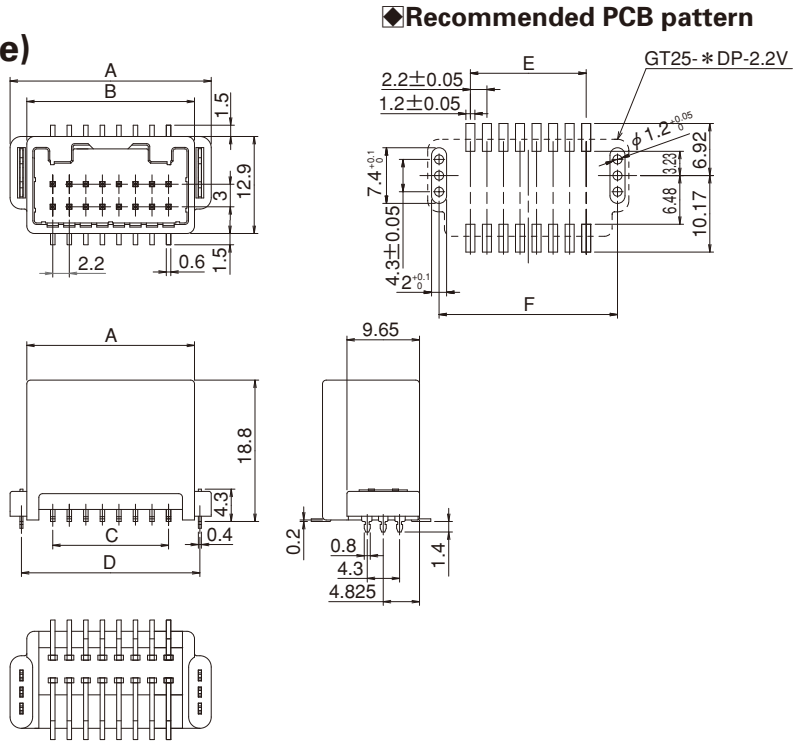
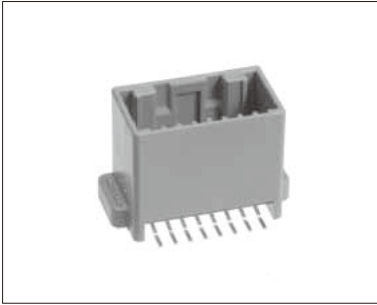
Part No.	HRS No.	Color	Material/Plating	No. of Contacts	A imension	B imension	C imension	D imension	E imension	Packaging	RoHS
GT25-8DP-2.2H	775-0004-1	Light Gray	PPS Brass/ Tin plating	8	17.65	13.2	14.63	7.7±0.05	14.63±0.05	200 pcs/reel or 1/tray	YES
GT25-12DP-2.2H	775-0005-4			12	22.05	17.6	19.03	12.1±0.05	19.03±0.05		
GT25-16DP-2.2H	775-0006-7			16	26.45	22.0	23.43	16.5±0.05	23.43±0.05		
GT25-24DP-2.2H	775-0007-0			24	35.25	30.8	32.23	25.3±0.05	32.23±0.05		
GT25-28DP-2.2H(01)	775-0040-5 01			28	39.65	35.2	36.63	29.7±0.05	36.63±0.05		
GT25-32DP-2.2H	775-0008-2			32	44.05	39.6	41.03	34.1±0.05	41.03±0.05		
GT25-40DP-2.2H	775-0003-9			40	52.85	48.4	49.83	42.9±0.05	49.83±0.05		

Note : (01) is tray package.

## M connector (PCB type)

### Straight Type

● 2 rows

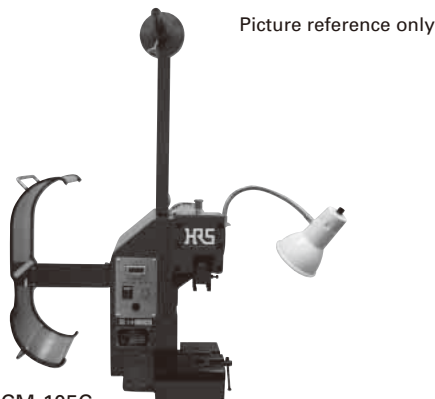


Part No.	HRS No.	Color	Material/ Plating	No. of Contacts	A Dimension	B Dimension	C Dimension	D Dimension	E Dimension	F Dimension	Packaging	RoHS
GT25-16DP-2.2V(01)	775-0020-8 01	Light Gray	PPS Brass/ Tin plating	16	26.75	22.3	15.4	23.73	15.4±0.05	23.73±0.05	1/tray	YES
GT25-24DP-2.2V(01)	775-0021-0 01			24	35.55	31.1	24.2	32.53	24.2±0.05	32.53±0.05		
GT25-32DP-2.2V(01)	775-0022-3 01			32	44.35	39.9	33.0	41.33	33±0.05	41.33±0.05		
GT25-40DP-2.2V(01)	775-0014-5 01			40	53.15	48.7	41.8	50.13	41.8±0.05	50.13±0.05		

### ◆ Crimping tools

User manuals are available. Please contact your Hirose Electric account representative.

#### ● Automatic Crimping Machine



Part No. CM-105C

#### Specifications

Item	Specification	Remarks
Press capacity	1.5tons	—
Stroke Length	30mm	—
Number of strokes	200spm (50Hz)	240spm (60Hz)
Weight	75kg	—
Motor	0.2kw	AC100V
Crimping speed	2,000 to 4,000 pcs/hour	—

Terminal Product No.	Terminal HRS No.	Tool Part No.	Tool HRS No.
GT25H-2024SCF	775-0039-6	AP105-GT25H-2024S	901-5206-3
GT25HB-2428SCF	775-0070-6	AP105-GT25HB-2428S	901-5230-8

Note : Crimp height setting tables are available for each cable type. Please contact your nearest Hirose Electric account representative.  
Different cables will require different crimp height settings.

#### ● Hand tooling



HRS No.	Part No.	Applicable wire
780-0044-1 00	HT304/GT25H-2024S	GT25H-2024SCF

Note : HT304/GT25H-2024S is rated for 0.3SQ (22 AWG) or 0.5SQ (20 AWG) cable only.  
HT304/GT25H-2024S can not terminate 0.2SQ (24 AWG) cable.