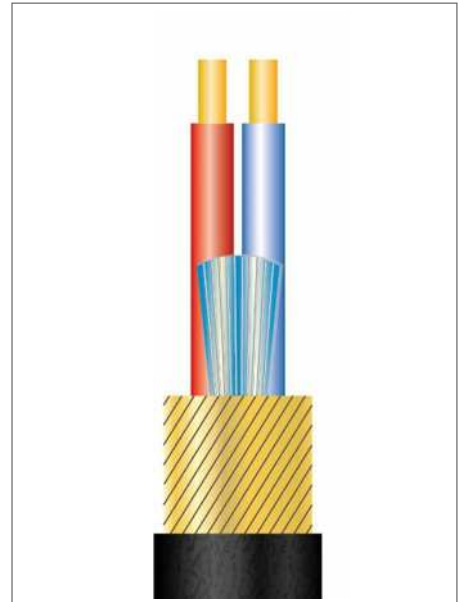
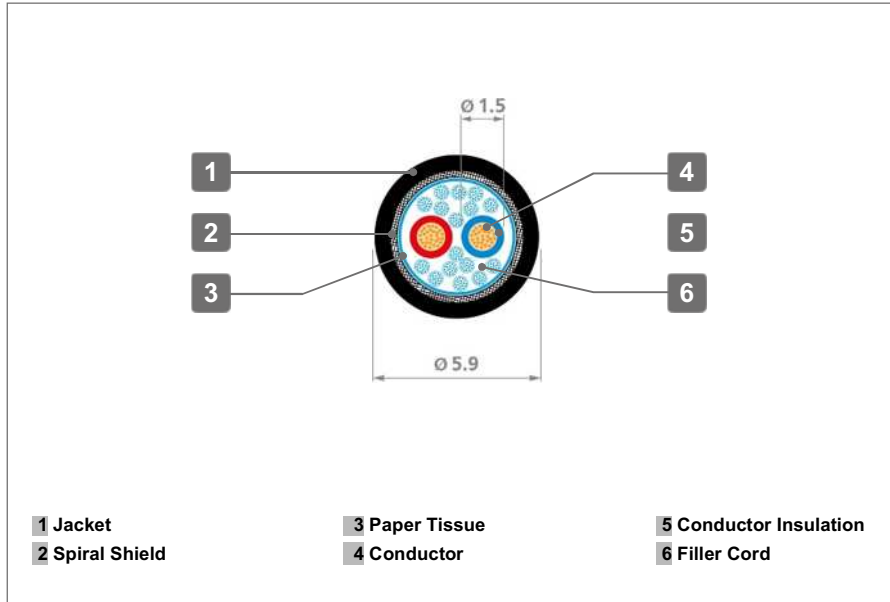


Microphone Cable 6.0mtr RMFP060

YME220

Microphone Cable, O.D. 5.9 mm, 0.22 mm² / AWG 24



MECHANICAL SPECIFICATION

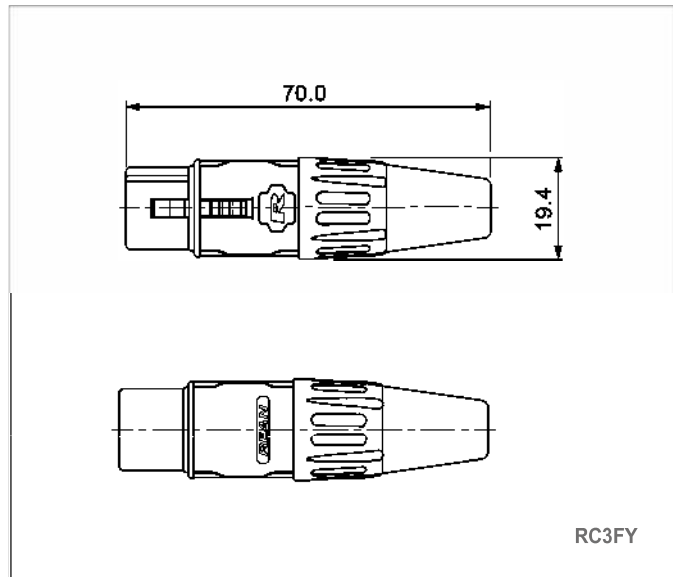
| | |
|---|--|
| Composition of conductor | 28 x 0.10 mm / 28 x AWG 38 bare annealed copper, OFC standard |
| Conductor insulation | LD-PE Ø 1.5 mm |
| Conductor color | Red & Blue |
| Composition of core | 2 twisted cores 60 mm one turn, left hand |
| Spiral shield | 85 x 0.10 mm, bare annealed copper, OFC standard Coverage > 90 % |
| Overall jacket material | PVC with restricted Substance: Cadmium: < 5 PPM ("Cadmium free") Lead: < 50 PPM Mercury: < 2 PPM Chromium: Not contained Hardness: 65 Shore-A |
| Jacket colour | Black (other colours on request) |
| Overall diameter | Ø 5.9 mm tolerance: +/- 0.2 mm |
| Working temperature - Mobile - Fixed | -5 °C to +70 °C -20 °C to +70 °C |
| Cable Printing | - Standard cable print - Customer cable print on request |

ELECTRICAL SPECIFICATION

| | |
|---|--|
| Conductor DC resistance | ≤ 80 m [∧] / m – 20 °C |
| Screen DC resistance | ≤ 30 m [∧] / m – 20 °C |
| Insulation resistance | > 1 G [∧] / km – 20 °C, 500 V _{DC} |
| Capacitance 1 Conductor to Conductor | ≤ 65 pF / m – 1 KHz |
| Capacitance 2 Conductor to Screen | ≤ 115 pF / m – 1 KHz |
| Test voltage: Conductor to Conductor | 500 V eff – 50 Hz, 1 Minute |
| Test voltage: Conductor / Screen | 1.000 V eff – 50 Hz, 1 Minute |

XLR Female Cable Connectors

Y Series



FEATURES

- *Rugged zinc diecast shell - long lasting and reliable*
- *Unique cage type female contact - increases conductivity*
- *Chuck type strain relief - best cable retention, easy to assemble*
- *Rubber boot kink protection - guarantees best cable protection and offers long cable life*
- *Robust latch locking - provides secure connection*

CONNECTOR

| Type No. | Description |
|----------|---|
| RC3FY | XLR 3-pole female cable connector, nickel metal housing, silver plated contacts |

REAN[®]

XLR Female Cable Connectors

TECHNICAL DATA

ELECTRICAL

| | | |
|----------------------------------|------------------------------------|--------------------------------------|
| Contact resistance | - initial | < 10 mΩ |
| | - after 1'000 mating cycles | < 20 mΩ |
| Ground contact resistance | | < 100 mΩ |
| Dielectric strength | | > 1 kV dc |
| Insulation resistance | - initial | > 1 GΩ |
| | - after damp heat test | > 0.1 GΩ |

MECHANICAL

| | | |
|--|--|------------------------------------|
| Lifetime | | > 1'000 mating cycles |
| Mating force | | < 50 N |
| Locking force (pull out locked connector) | | > 250 N |
| Withdrawal force | | < 20 N |
| Strain relief force (depending on cable O.D.) | | > 100 N |
| Cable O.D. range | | 4.0 - 8.0 mm |
| Wiring type | | Soldering |
| Max. wire size | | 2.5 mm² / AWG 14 |

MATERIAL

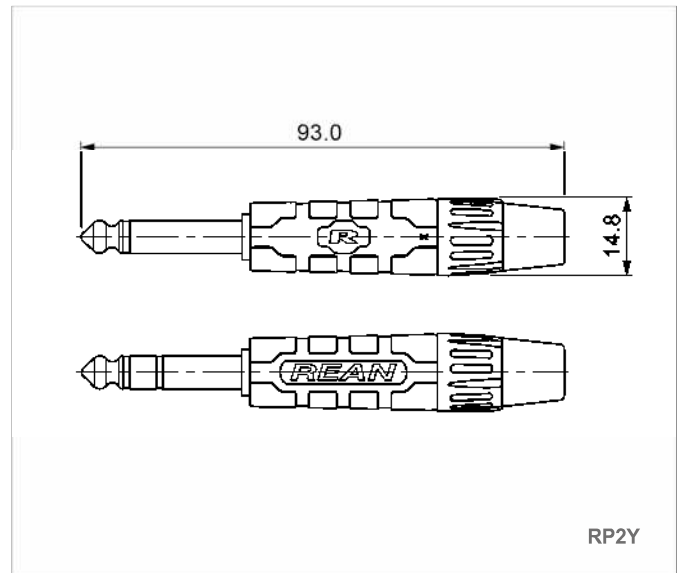
| | | |
|------------------------------|--|-------------------------------------|
| Shell (housing) | | Zinc diecast |
| Shell plating | | Ag |
| Insert | | Nylon |
| Contacts | | Bronze |
| Contact plating | | Tin-cerium or gold |
| Latch lock | | Zinc diecast / CK67 (spring) |
| Latch lock plating | | Ni |
| Strain relief (chuck) | | POM |
| Bushing | | Nylon |
| Boot | | Nylon |

ENVIRONMENTAL

| | | |
|-------------------------------|--|--------------------------------------|
| Operating temperature | | -20 °C to +70 °C |
| Protection class | | IP 40 |
| Solderability | | Complies with IEC 68-2-20 |
| Manufacturing standard | | Complies with IEC 61076-2-103 |

1/4" Phone Plugs, 2-pole

Y Series



FEATURES

- *Slim and ergonomic design – space saving and convenient to handle*
- *Rugged zinc diecast shell – long lasting and reliable*
- *Chuck type strain relief – best cable retention, easy to assemble*
- *Rubber boot kink protection – guarantees best cable protection and offers long cable life*

CONNECTOR

| Type No. | Description |
|----------|---|
| RP2Y | 1/4" plug, 2-pole, nickel plated housing and nickel plated plugfing |

REAN[®]

1/4" Phone Plugs

TECHNICAL DATA

ELECTRICAL

| | |
|------------------------|-------------------|
| Contact resistance | < 10 m Λ |
| Dielectric strength | > 1 kV dc |
| Insulation resistance | > 1 G Λ |
| - initial | |
| - after damp heat test | > 0.1 G Λ |

MECHANICAL

| | |
|-----------------------|----------------------------|
| Lifetime | > 1'000 mating cycles |
| Lateral load capacity | > 4 Nm |
| Strain relief force | > 70 N |
| Cable O.D. range | 4.0 - 7.0 mm |
| Wiring type | Soldering |
| Max. wire size | 1 mm ² / AWG 18 |

MATERIAL

| | |
|-----------------------|--------------|
| Shell (housing) | Zinc diecast |
| Shell plating | Nickel |
| Insert | Nylon |
| Contacts | Brass |
| Contact plating | Ni |
| Strain relief (chuck) | POM |
| Bushing | Nylon |
| Boot | PVC |

ENVIRONMENTAL

| | |
|-----------------------|---------------------------|
| Operating temperature | -20 °C to +70 °C |
| Solderability | Complies with IEC 68-2-20 |

OEM bulk cable

Data subject to change without prior notice. © 2017 REAN® is a registered trademark of the Neutrik Group. ALL RIGHTS RESERVED.

REAN®