



GK992 Bolero St Steel Round Table base

Assembly Instructions

Important!

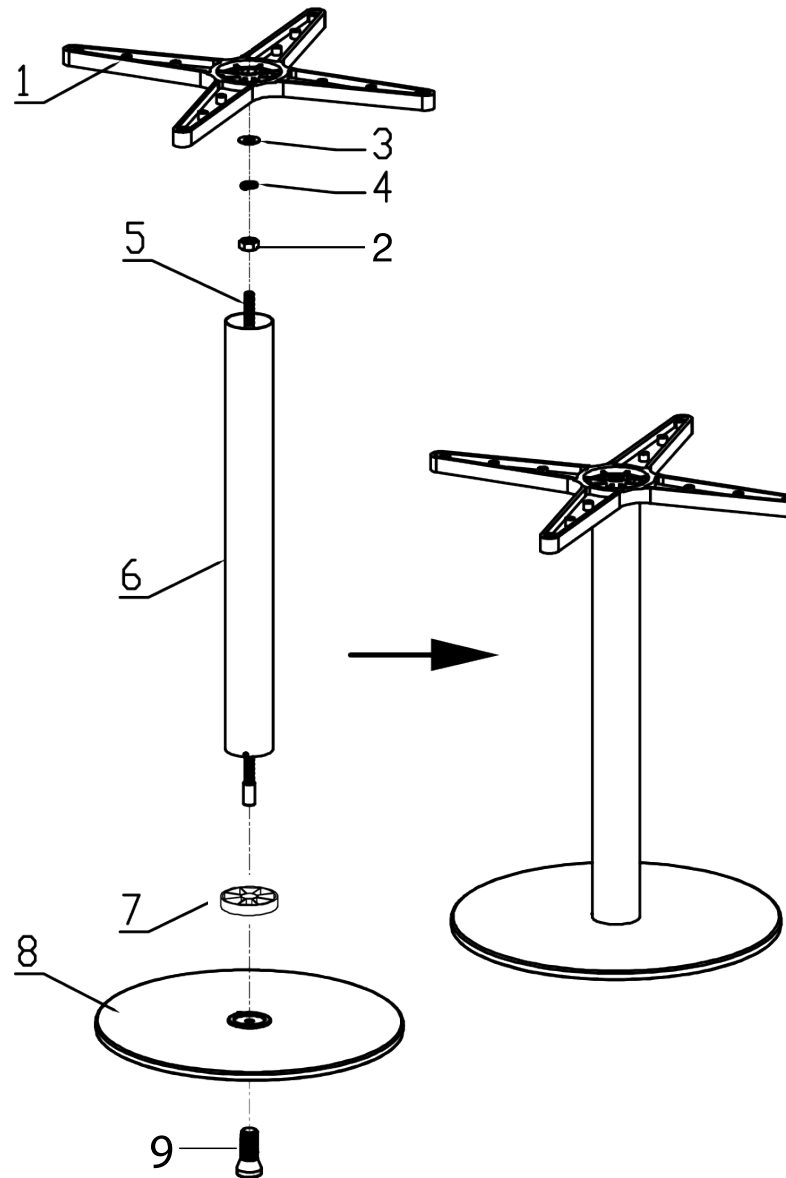
Please note screws required to fix the base to the Bolero predrilled table tops are supplied with the table top carton.



Before assembly, carefully remove all packaging and ensure all parts are present. Please periodically check and tighten assembly.

Once assembled please do not attempt to move or lift the table by pulling the table top as this will cause damage to top!

| | | |
|----|----------------------------------|---|
| UK | 0845 146 2887 | Fourth Way, Avonmouth, Bristol, BS11 8TB United Kingdom |
| NL | 0800 – 29 1 29 040 – 2628080 | |
| FR | 0800 - 29 2 29 01 60 34 28 80 | |
| DE | 0800 – 1860806 | |
| IT | N/A | |
| ES | 901-100 133 | |
| PT | 901-100 133 | |
| AU | 1300 225 960 | 15 Badgally Road, Campbelltown, 2560, NSW, Australia |



Parts list:

| | | |
|---|--|-----------------------|
| 1 | | 1x spider |
| 2 | | 1x Hexagonal Nuts |
| 3 | | 1x Flat Washer |
| 4 | | 1x Spring Washer |
| 5 | | 1x Rod |
| 6 | | 1x Pole |
| 7 | | 1x Plastic Connection |
| 8 | | 1x Base |
| 9 | | 1x Screw |

Assembly instructions:

1. Thread a hexagonal nut onto one threaded end of the rod with a spring washer to follow.
2. Place a flat washer over the hole on the metal spider and insert the threaded end of the rod.
3. Turn the threaded rod until it securely grips into the metal spider.
4. Tighten the nut back down onto the unit using the spanner supplied.
5. Place the aluminium tube over the threaded rod, ensuring that the end of the tube is securely positioned on the metal spider.
6. Place the Aluminium foot base over the end of the threaded rod.
7. Place a flat washer and nylock nut on the end of the threaded bar and tighten using the socket spanner.