

Socket for Mini Relays

TE Internal #: 1393310-3

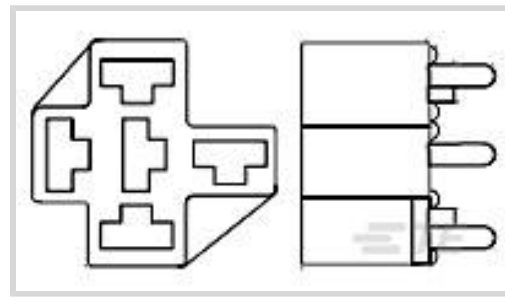
Socket for Mini Relays, Relay Sockets, Printed Circuit Board, Plug-In

Mini ISO Relays

[View on TE.com >](#)



Relays, Contactors & Switches > Relays > Automotive Relays > Automotive Plug-In Relays > Relay Sockets



Relay Socket Type: **Printed Circuit Board**

Relay Socket For Use With: **Plug-In Mini ISO Relays**

Features

Product Type Features

Product Type	Socket
--------------	--------

Contact Features

Relay Socket Type	Printed Circuit Board
-------------------	-----------------------

Operation/Application

Relay Socket For Use With	Plug-In Mini ISO Relays
---------------------------	-------------------------

Other

Additional Information	Socket for PCB Soldering
------------------------	--------------------------

Product Compliance

[For compliance documentation, visit the product page on TE.com>](#)

EU RoHS Directive 2011/65/EU	Compliant
EU ELV Directive 2000/53/EC	Compliant
China RoHS 2 Directive MIIT Order No 32, 2016	No Restricted Materials Above Threshold
EU REACH Regulation (EC) No. 1907/2006	Current ECHA Candidate List: JAN 2022 (223) Candidate List Declared Against: JUL 2021 (219) SVHC > Threshold: Not Yet Reviewed
Halogen Content	Low Halogen - Br, Cl, F, I < 900 ppm per homogenous material. Also BFR/CFR/PVC Free
Solder Process Capability	Not reviewed for solder process capability

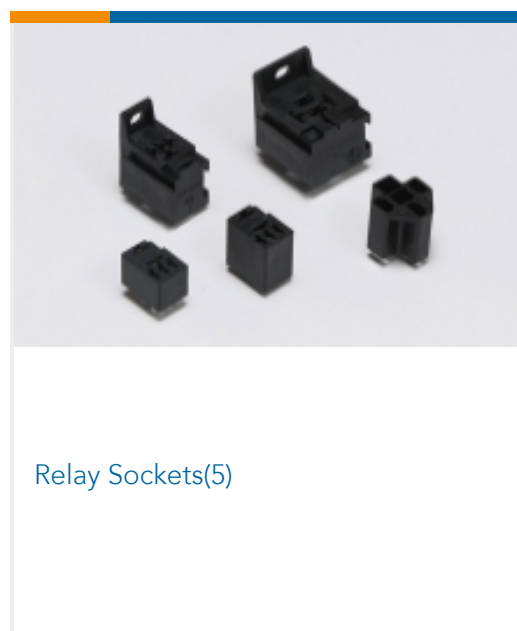
Product Compliance Disclaimer

This information is provided based on reasonable inquiry of our suppliers and represents our current actual knowledge based on the information they provided. This information is subject to change. The part numbers that TE has identified as EU RoHS compliant have a maximum concentration of 0.1% by weight in homogenous materials for lead, hexavalent chromium, mercury, PBB, PBDE, DBP, BBP, DEHP, DIBP, and 0.01% for cadmium, or qualify for an exemption to these limits as defined in the Annexes of Directive 2011/65/EU (RoHS2). Finished electrical and electronic equipment products will be CE marked as required by Directive 2011/65/EU. Components may not be CE marked. Additionally, the part numbers that TE has identified as EU ELV compliant have a maximum concentration of 0.1% by weight in homogenous materials for lead, hexavalent chromium, and mercury, and 0.01% for cadmium, or qualify for an exemption to these limits as defined in the Annexes of Directive 2000/53/EC (ELV). Regarding the REACH Regulation, the information TE provides on SVHC in articles for this part number is based on the latest European Chemicals Agency (ECHA) 'Guidance on requirements for substances in articles' posted at this URL: <https://echa.europa.eu/guidance-documents/guidance-on-reach>

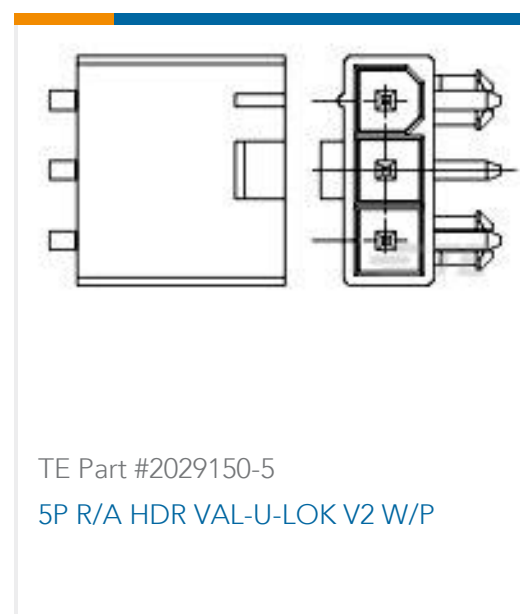
Compatible Parts

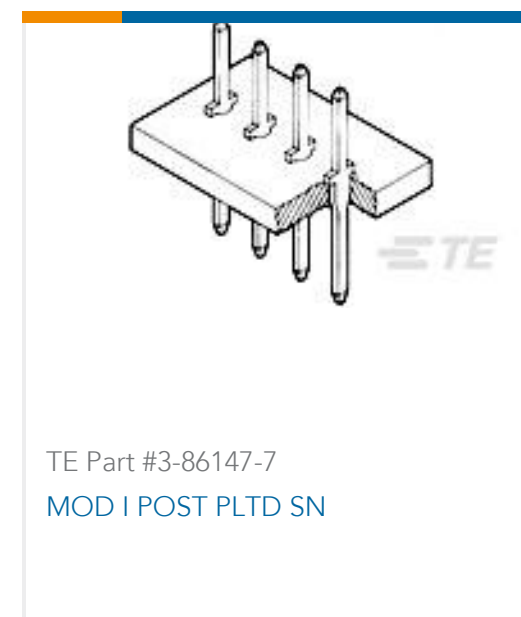
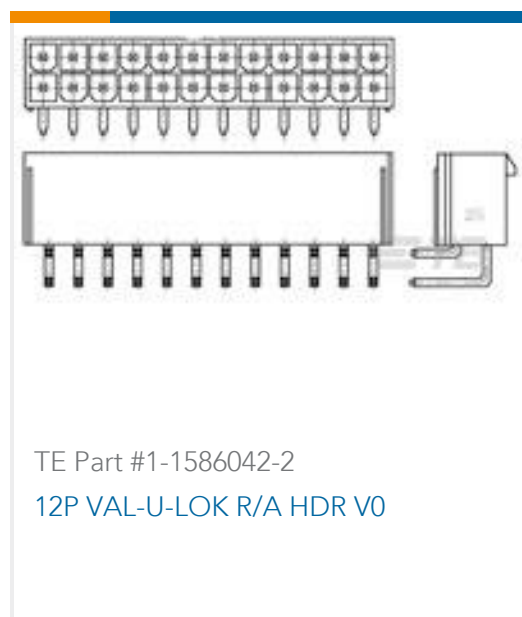


Also in the Series | Socket for Mini Relays



Customers Also Bought





Documents

Product Drawings

VCF4-1000=FROM SEC

English

CAD Files

Customer View Model

[ENG_CVM_CVM_1393310-3_B.2d_dxf.zip](#)

English

3D PDF

3D

Customer View Model

[ENG_CVM_CVM_1393310-3_B.3d_igs.zip](#)

English

Customer View Model

[ENG_CVM_CVM_1393310-3_B.3d_stp.zip](#)

English

By downloading the CAD file I accept and agree to the [Terms and Conditions](#) of use.

Datasheets & Catalog Pages

[Automotive Relay Application Notes](#)

English

[Connectors for Mini ISO, Connectors Production Production North America, Accessories](#)

English

Product Specifications

[Definitions, Handling, Processing, Testing and Use of Relays](#)

English

Product Environmental Compliance

[Product Compliance](#)

English

[Product Compliance](#)

English