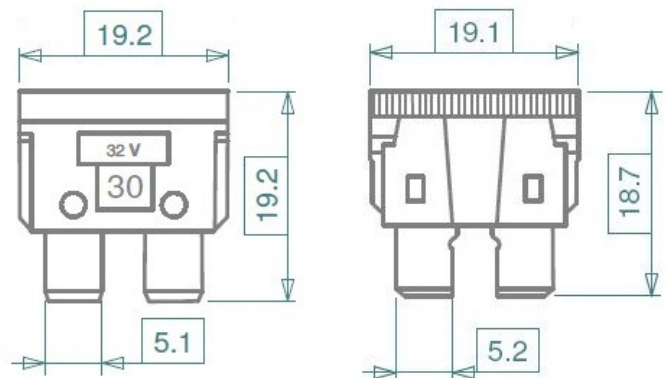


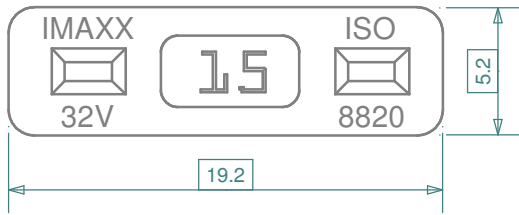
F1500 series, normOTO blade fuse

- Meets international specs, complies to DIN ISO 8820-3, JASO D612, SAE J1284 and other standards
- Check fuse in fuse block using test points at top of the fuse
- Element visibility from sides, transparent fuse bodies
- Blade rigidity through robust/sturdy body construction
- Safe and highly reliable/consistent operation with a single piece construction
- Self extinguishing transparent, color coded body materials
- High temperature resistive plastics used for fuse body materials
- Secure and reliable functioning with purpose designed S + Ω element shapes
- Rating marked on top using OCR font

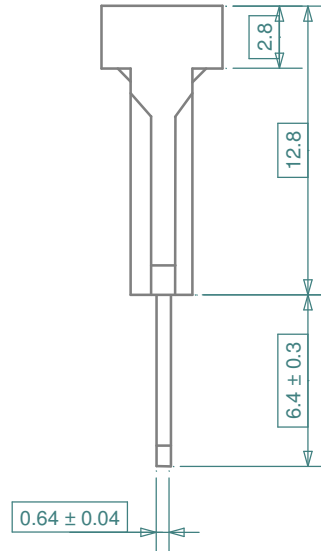
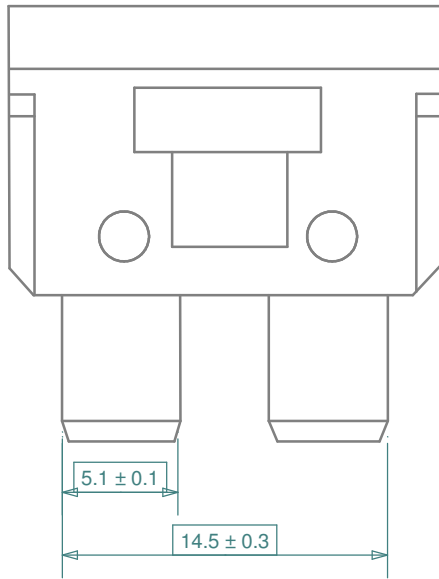


iMaXX ref.	Color	Rating [A]	Voltage [V]
F1501P	Black	1	32
F1502P	Gray	2	32
F1503	Violet	3	32
F1504	Pink	4	32
F1505	Tan	5	32
F1575	Brown	7,5	32
F1515	Red	10	32
F1515	Blue	15	32
F1520	Yellow	20	32
F1525	Natural	25	32
F1530	Green	30	32
F1535	Dark Green	35	32
F1540	Orange	40	32





Note: Current rating printed in white OCR-A font on top of fuse.



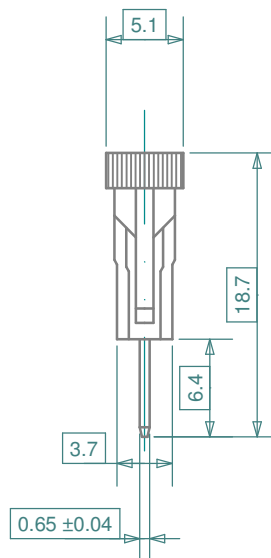
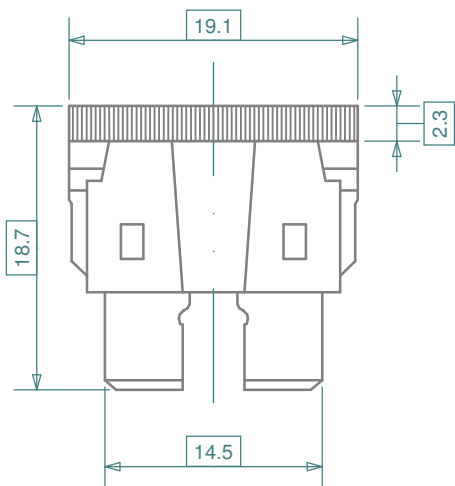
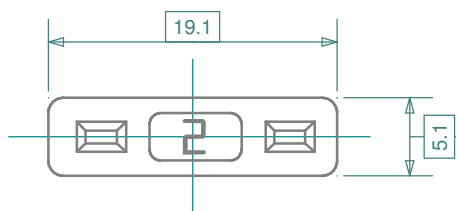
Rating [A]	Color	Volt [V]	iMaXX Reference
3	Violet	32	F1503
4	Pink	32	F1504
5	Tan	32	F1505
7.5	Brown	32	F1575
10	Red	32	F1510
15	Blue	32	F1515
20	Yellow	32	F1520
25	Natural	32	F1525
30	Green	32	F1530
35	Dark green	32	F1535
40	Orange	32	F1540

Fusing time DIN ISO 8820-3 [s]		
Load [%]	Minimum [s]	Maximum [s]
110 %	360,000	-
135 %	0.75	600
160 %	0.25	50
200 %	0.15	5
350 %	0.04	0.5
600 %	0.02	0.1

Revisions			Date	Appr.	
	Date	Type	Drawn	02/03	GRH
a	05/07	re-drawn	Checked	03/13	EB
b	07/11	updated DIN to ISO	Standards		
c	03/12	updated dimensions	Approved	03/13	AdH
d	10/12	updated dimensions			
e	03/13	Added 35A rating	Scale 3 : 1		



		Projection	Tolerance ± 0.2 mm unless otherwise noted	Title	F1500 series, normOTO blade fuse, OCR
				Drawing type	schematic
				Drawing number	F1500 drawing 1
				Sheet	1 of 1
				Layers	0 1 2 6 9

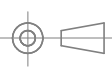


Time-current characteristics (24 °C)		
Load [%]	Minimum [s]	Maximum [s]
110 %	360,000	-
135 %	0.75	600
160 %	0.25	50
200 %	0.15	5
350 %	0.04	0.5
600 %	0.02	0.2
Standards: ISO 8820-3 SAE J1284		
JASO D612		

Rating [A]	Color	Volt [V]	iMaXX Reference
1	Black	32	F1501P
2	Gray	32	F1502P

Revisions			Drawn	Date	Appr.
a	10/07	re-drawn	Checked	08/11	EB
b	08/11	updated time-current table	Standards		
			Approved	08/11	AdH



		Scale 2 : 1	Title	F1500P series, normOTO blade fuse, OCR
		Projection	Drawing type	schematic
		 Tolerance ± 0.2 mm unless otherwise noted	Drawing number	F1500P drawing 1
			Sheet	1 of 1
			Layers / Sheet	012 6 89
			Sheet	01