

# SIMONWORK BT1 1200



**144,5 x 121 x 61 cm**  
**56.9" x 47.6" x 24.0"**

**5** Años Garantía  
 Years Guarantee  
 Jahre Garantie  
 Ans Garantie  
 Anos de Garantia  
**SIMONRACK**



- 2 x 144 cm (56.7")
- 2 x 84 cm (33.1")
- 1 x 60x120 cm (23.6"x47.2")  
1 x 35x120 cm (13.8"x47.2")
- 4 x 60 cm (23.6")
- 3 x 120 cm (47.2")
- 1 x 120 cm (47.2")  
1 x 60 cm (23.6")
- 6 x 9,5x19 cm (3.7"x7.5")
- 3 x 120x20 cm (47.2"x7.9")
- 6 x [Nut/Bolt]



**Simon Rack**  
 SINCE 1964 - MANUFACTURER

ESTANTERIAS SIMON S.L. B.50.556.463  
 PG. ALFAMEN C/ POLIGONO C. Nº3  
 ALFAMEN (ZARAGOZA)

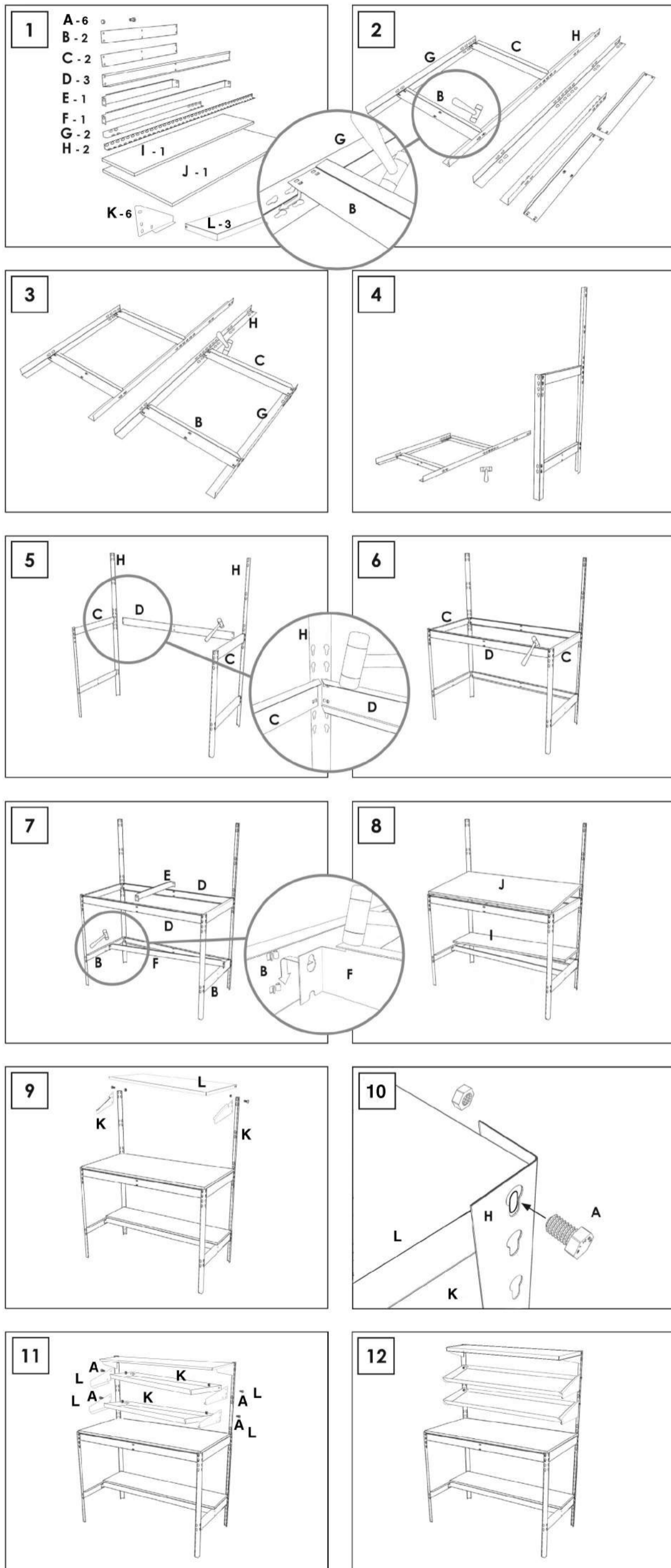


[www.simonrack.com](http://www.simonrack.com)



INSTRUCCIONES  
 INSTRUCTIONS  
 ANLEITUNG  
 INSTRUCTIONS





**SIMONCLASSIC**

**SIMONCLICK**

**SIMONTALLER**

**SIMONAUTO**

**SIMONWORK**

**SIMONLOCKER**

**SIMONOFFICE**

**SIMONHOME**

**SIMONGARDEN**

**SIMONTITÁN**      **SIMONINOX**

**SIMONINDUSTRIAL**

**SIMONPALET**      **SIMONLEVER**

**ALTILLOS Y PASILLOS ELEVADOS**  
**PLATFORMS AND MEZZANINES**  
**LAGERBÜHNEN • PLATES-FORMES ET MEZZANINES**



\* Kg / lb per bandeja con carga uniformemente repartida  
Kg / lb per shelf uniformly distributed load  
Kg / lb pro fach bei gleichmäßig verteilter Last  
Kg / lb par plateau avec charge uniformément répartie

www.simonrack.com • www.simonrack.com • www.simonrack.com • www.simonrack.com • www.simonrack.com • www.simonrack.com • www.simonrack.com • www.simonrack.com • www.simonrack.com • www.simonrack.com

