



002

PCB TERMINAL  
BLOCKS

081

TERMINAL STRIPS

095

WIRE TO BOARD  
CONNECTORS

100

CIRCULAR  
CONNECTORS

151

IP68 CONNECTORS

158

INTERFACE  
MODULES AND  
RELAY BASES

# 7.62mm pitch pluggable rising clamp terminal blocks

## Product overview

- 2-12 pole solid block
- Professional rising clamp terminals
- Moulded in green UL94-V0 flame retardant PA66
- Cable acceptance - 0.32 to 1.6mm<sup>2</sup> (28-14AWG) solid and stranded cable
- Pluggable male and female connectors
- Open and closed headers
- Horizontal female plug style
- Polarised mouldings
- Anti solder wicking
- Captive screws and guided pin alignment
- approved

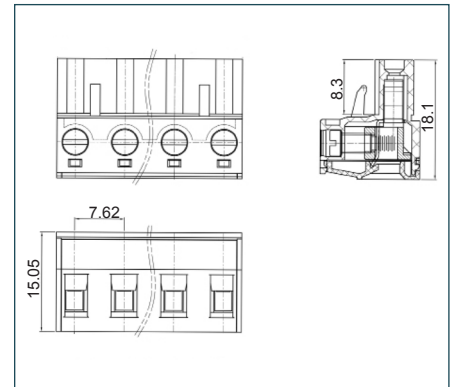
## SPECIFICATION

Rating	UL=15A/300V, VDE=20A/450V
Insulation resistance	500M $\Omega$ /500V
Withstand voltage	AC2000V/1min
Contact resistance	20m $\Omega$ (max)
Working temperature	-40°C to +105°C
Moulding	UL94-V0 flame retardant PA66
Pin/terminal	Tin plated brass
Rising clamp	Brass, nickel plated
Screw/torque	M3 steel, zinc plated 0.5Nm
Recommended PCB hole size	$\phi$ 1.7mm

## Female connector

PART NO.	POLES	LENGTH
CTBP9408/2	2	13.2mm
CTBP9408/3	3	20.9mm
CTBP9408/4	4	28.5mm
CTBP9408/5	5	36.1mm
CTBP9408/6	6	43.7mm
CTBP9408/7	7	51.3mm
CTBP9408/8	8	59mm
CTBP9408/9	9	66.6mm
CTBP9408/10	10	74.2mm
CTBP9408/11	11	81.8mm
CTBP9408/12	12	89.4mm

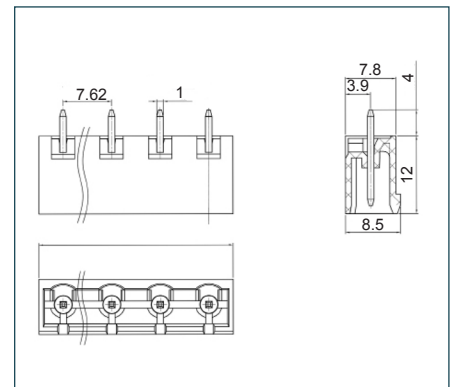
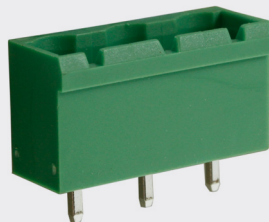
CTBP9408



## PCB mounting male vertical connector (closed ended)

PART NO.	POLES	LENGTH
CTBP9508/2	2	15.2mm
CTBP9508/3	3	22.8mm
CTBP9508/4	4	30.4mm
CTBP9508/5	5	38.1mm
CTBP9508/6	6	45.7mm
CTBP9508/7	7	53.3mm
CTBP9508/8	8	60.9mm
CTBP9508/9	9	68.6mm
CTBP9508/10	10	76.2mm
CTBP9508/11	11	83.8mm
CTBP9508/12	12	91.4mm

CTBP9508



## PCB mounting male horizontal connector (closed ended)

PART NO.	POLES	LENGTH
CTBP9558/2	2	15.2mm
CTBP9558/3	3	22.8mm
CTBP9558/4	4	30.4mm
CTBP9558/5	5	38.1mm
CTBP9558/6	6	45.7mm
CTBP9558/7	7	53.3mm
CTBP9558/8	8	60.2mm
CTBP9558/9	9	68.5mm
CTBP9558/10	10	76.2mm
CTBP9558/11	11	83.8mm
CTBP9558/12	12	91.4mm

CTBP9558

