

12VDC 16A 192W LED DRIVER



Features:

- 100-305VAC Ultra Wide range Input Voltage
- Fanless Design – High Reliability
- IP67 rated suitable for indoor & outdoor use
- Protections OVP, SCP, OCP, OTP
- 5 Year Warranty
- Full Safety including CE, UL, UKCA, EN61347-1, EN61347-2-13



The Tiger Power range of LED drivers feature a comprehensive range of safety approvals for truly global requirements and meet latest energy efficiency legislation. The TGR-12V-192W 12vdc 16 amp model provides a reliable constant voltage output at up to 192 Watts continuous, suitable for a wide range of applications.

(If required, the output current can also be set using the on board pot on the underside of the led driver to between 8 amp and 16 amp. When used in constant current mode, the output voltage adjusts between 8.4vdc and 12vdc)

Part number :	TGR-12V-192W
Output:	12vdc Constant Voltage (8.4vdc to 12vdc in CC mode)
Output Current (Adjustable Range when in CC mode)	16 amp (8 - 16A)
Input voltage:	100-305vac
Input frequency:	47 - 63Hz
No load power consumption:	<0.5W
Power Factor:	PF ≥ 0.97
Power :	192 Watts
Protection:	Short Circuit, Over Temperature, Over voltage protection
Dimensions:	199 x 63 x 35.5mm
Weight:	850g
AC cord length (where supplied):	300mm
DC cord length:	300mm
DC output:	Red + Black -
Polarity:	No applicable
Efficiency:	94%
Input current RMS Max.:	2.0A
Inrush Current at 230vac:	65A max. at 230vac cold start, max. load
Load regulation:	+ / - 5%
Safety approval:	UL8750, CSA22.2 EN61347-1, EN61347-2-13, EN62384
M.T.B.F:	2300.1 K hours min Telcordia SR-332 (Belcore)
Operating temperature:	-40°C to + 90°C (contact sales for derating info)

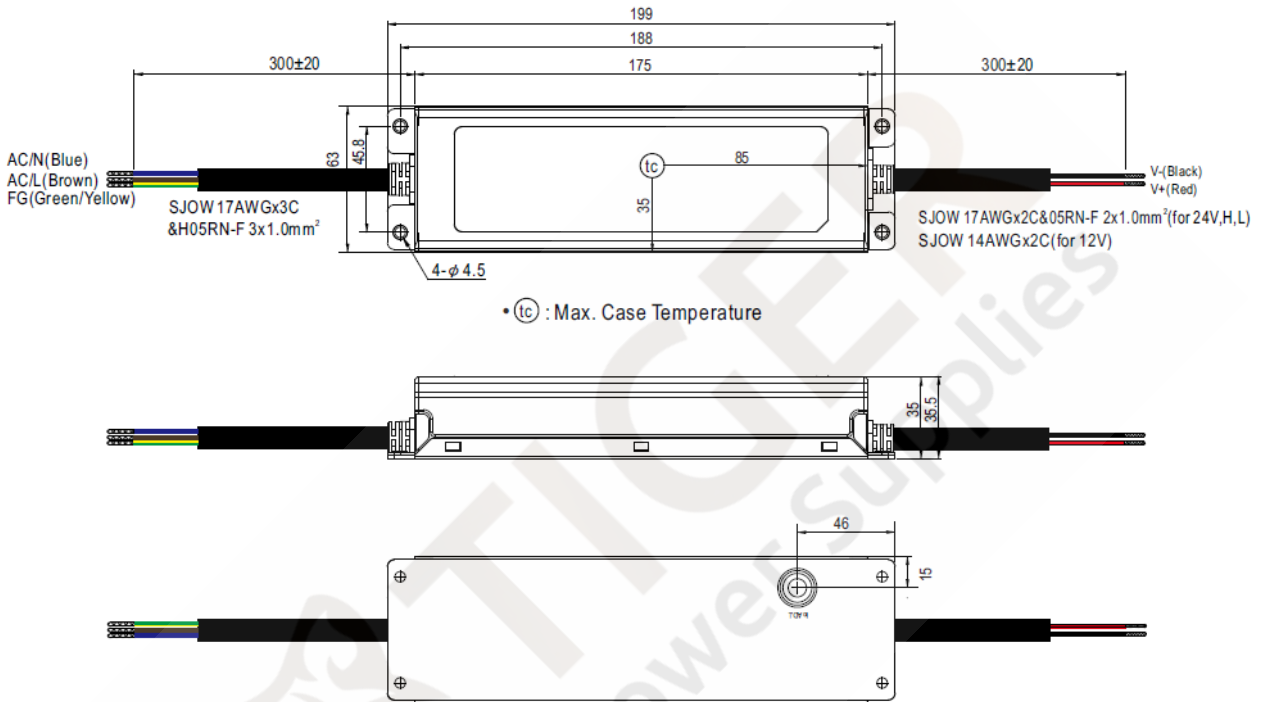
TIGER POWER PRODUCTS – QUALITY & RELIABILITY

This specification is not for general release or circulation. Tiger Power reserves the right to make changes to spec. or product without notice or liability.

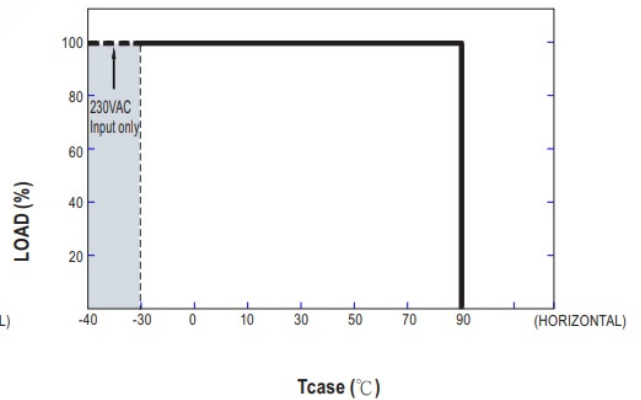
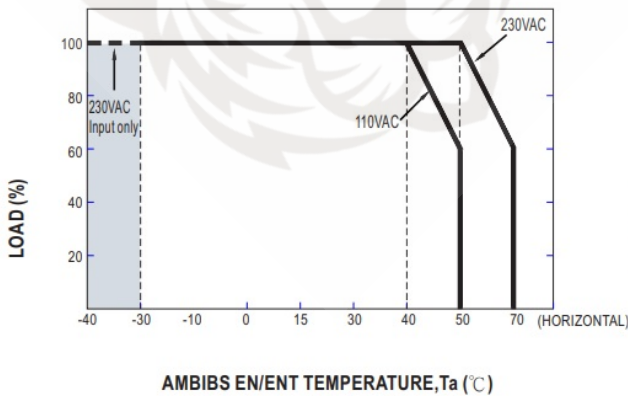
12VDC 16A 192W LED DRIVER



Output Adjustable



OUTPUT LOAD vs TEMPERATURE



TIGER POWER PRODUCTS – QUALITY & RELIABILITY

This specification is not for general release or circulation. Tiger Power reserves the right to make changes to spec. or product without notice or liability.