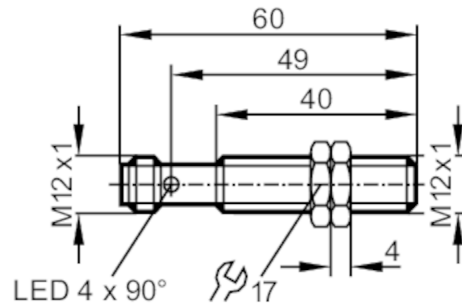




## Inductive full-metal sensor

IFK3003BANKG/AM/US-104-DNS



### Product characteristics

Electrical design		NPN
Output function		normally open
Sensing range	[mm]	3
Housing		threaded type
Dimensions	[mm]	M12 x 1 / L = 60

### Application

Special feature		Gold-plated contacts; Full-metal housing
Application		Use in machine tools, coolants and lubricants
Pressure rating	[bar]	100
Note on pressure rating		sensing face

### Electrical data

Operating voltage	[V]	10...36 DC
Current consumption	[mA]	< 20
Protection class		III
Reverse polarity protection		yes

### Outputs

Electrical design		NPN
Output function		normally open
Max. voltage drop switching output DC	[V]	2.5
Permanent current rating of switching output DC	[mA]	100
Switching frequency DC	[Hz]	100
Short-circuit protection		yes
Type of short-circuit protection		pulsed
Overload protection		yes

### Detection zone

Sensing range	[mm]	3
Operating distance	[mm]	0...2.4

# IFC266



## Inductive full-metal sensor

IFK3003BANKG/AM/US-104-DNS

### Accuracy / deviations

Correction factor	steel: 1 / stainless steel: 0.5 / brass: 0.2 / aluminium: 0.1 / copper: 0
Hysteresis [% of Sr]	1...20

### Operating conditions

Ambient temperature [°C]	-25...70
Protection	IP 67; IP 68; ("Coolant")

### Tests / approvals

EMC	EN 61000-4-2 ESD	4 kV CD / 8 kV AD
	EN 61000-4-3 HF radiated	10 V/m
	EN 61000-4-4 Burst	2 kV
	EN 61000-4-6 HF conducted	10 V
	EN 55011 emission	class B
Impact resistance		1 J
MTTF [years]		1694
UL approval	Ta	-25...70 °C
	Enclosure type	Type 1
	voltage supply	Limited Voltage/Current
	UL Approval no.	A012
	File number UL	E174191

### Mechanical data

Weight [g]	28.3
Housing	threaded type
Mounting	flush mountable
Dimensions [mm]	M12 x 1 / L = 60
Thread designation	M12 x 1
Materials	housing: stainless steel (1.4404 / 316L); sensing face: stainless steel (1.4404 / 316L); lock nuts: stainless steel (1.4404 / 316L); connector housing: PA
Full-metal housing	yes

### Displays / operating elements

Display	switching status	4 x 90° LED, yellow
---------	------------------	---------------------

### Accessories

Accessories (supplied)	lock nuts: 2
------------------------	--------------

### Remarks

Pack quantity	1 pcs.
---------------	--------

### Electrical connection - plug

Connector: 1 x M12; Contacts: gold-plated



# IFC266



## Inductive full-metal sensor

IFK3003BANKG/AM/US-104-DNS

### Connection

