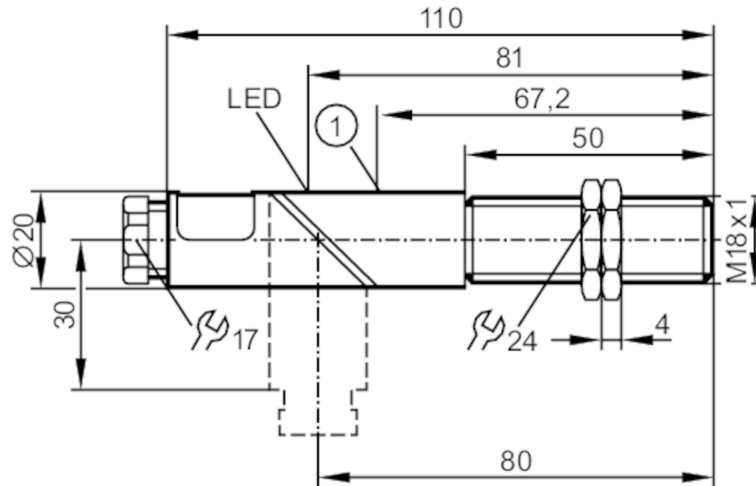


KG5041



Capacitive sensor

KGE3008-BPKG/NI



1 potentiometer



Product characteristics

Electrical design		PNP
Output function		normally open
Sensing range	[mm]	8
Housing		threaded type
Dimensions	[mm]	M18 x 1 / L = 110

Electrical data

Operating voltage	[V]	10...36 DC
Current consumption	[mA]	< 10 (24 V) / < 15 (36 V)
Protection class		II
Reverse polarity protection		yes

Outputs

Electrical design		PNP
Output function		normally open
Max. voltage drop switching output DC	[V]	2.5
Permanent current rating of switching output DC	[mA]	250
Switching frequency DC	[Hz]	50
Short-circuit proof		yes
Overload protection		yes

Detection zone

Sensing range	[mm]	8
Sensing range adjustable		yes
Factory setting sensing range	[mm]	8
Real sensing range S_r	[mm]	$8 \pm 10\%$
Operating distance	[mm]	0...6.5

KG5041



Capacitive sensor

KGE3008-BPKG/NI

Accuracy / deviations		
Correction factor		glass: 0.4 / water: 1 / ceramics: 0.2 / PVC: 0.2
Hysteresis	[% of Sr]	1...15
Switch point drift	[% of Sr]	-15...15
Operating conditions		
Ambient temperature	[°C]	-25...80
Protection		IP 65
Tests / approvals		
EMC		EN 60947-5-2
MTTF	[years]	637
Mechanical data		
Weight	[g]	81.5
Housing		threaded type
Mounting		non-flush mountable
Dimensions	[mm]	M18 x 1 / L = 110
Thread designation		M18 x 1
Materials		PBT; PC
Displays / operating elements		
Display	switching status	1 x LED, yellow
Accessories		
Accessories (supplied)		lock nuts: 2 screwdriver: 1
Remarks		
Pack quantity		1 pcs.
Electrical connection		
terminals: ...2.5 mm ² ; Cable sheath: Ø 4.5...10 mm; Cable gland: M16 X 1.5		
Connection		

