

## MODLINK MSDD FRAME DBL METAL

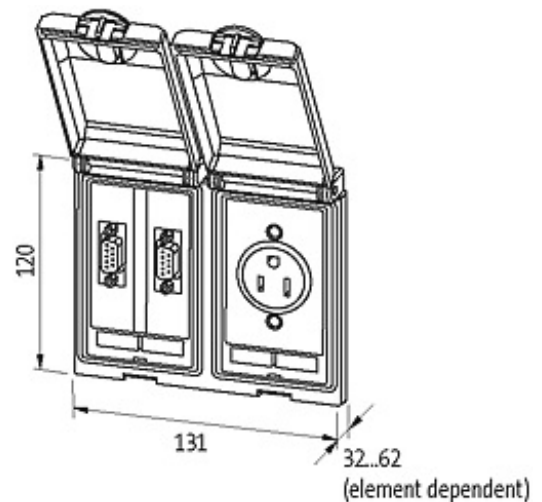
Nickeled/transparent

Frame: metal, matte nickel plated

Lid: plastic, transparent

### [Link to Product](#)

#### Illustration



Product may differ from Image

#### Frame

suitable for mounting with wall thickness	1...5 mm
Protection	IP65
Housing	Zinc die-casting, with surface finishing
Dimensions H × W × D	120×130×35

Temperature range	-10...+60 °C (storage temperature -25...+60 °C)
-------------------	---

Shielded	yes, only with shielded inserts
----------	---------------------------------

**General data**

Dimensions H × W × D	120×130×35 mm
----------------------	---------------

**Commercial data**

country of origin	DE
-------------------	----

customs tariff number	85389099
-----------------------	----------

minimum order quantity	1
------------------------	---