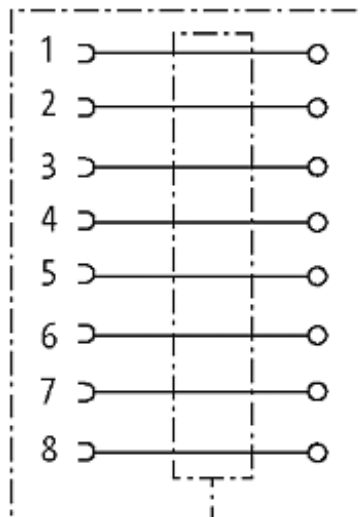
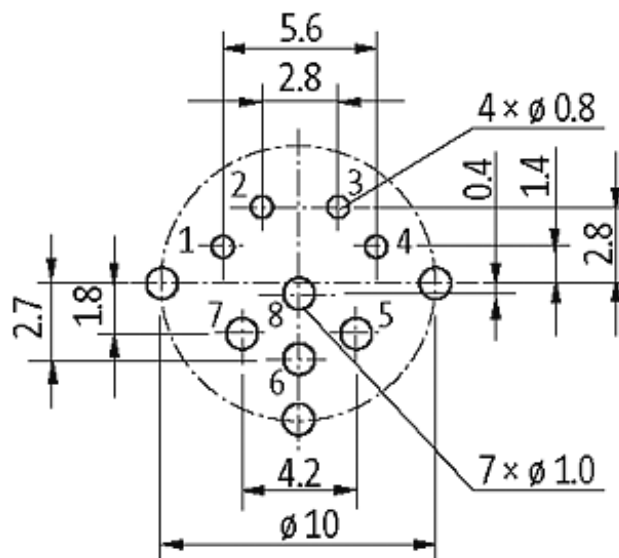
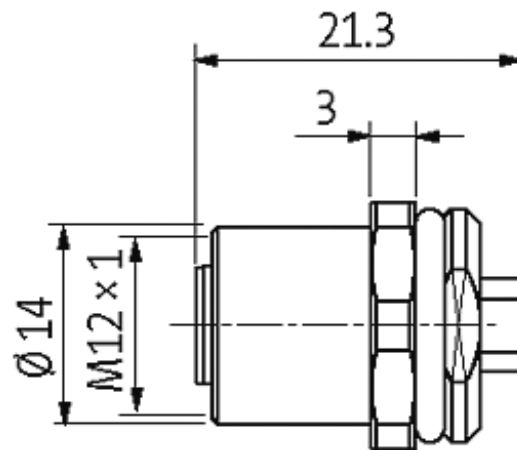
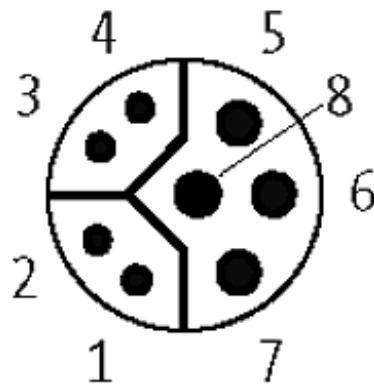


**M12 FEMALE FLANGE PLUG 0° Y CODED SOLDER TERMINAL**

Flange M12 female  
Mounting nut  
Y-coded, 8-pole  
straight  
Solder connection  
Front mounting

[Link to Product](#)**Illustration**

# Female



Product may differ from Image

## Form

15701

## Technical Data

Operating voltage	max. 30 V DC
Operating current per contact	0.5 A (Data), 6 A (Power)
Transfer parameters	10/100 Mbit/s full duplex
Locking of ports	Screw thread M12 × 1 mm (recommended torque 0.6 Nm) self-securing
Protection	IP67 inserted and tightened (EN 60529)

**General data**

Temperature range	-40...+85 °C
-------------------	--------------

**Commercial data**

customs tariff number	85369010
minimum order quantity	1