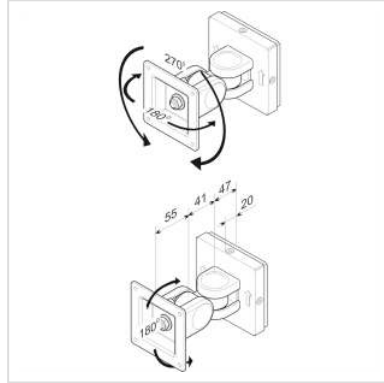


# ROLINE LCD Monitor Wall Mount Kit, 2 Joints

<b>Product No.</b>	17.03.1125
<b>Manufacturer</b>	ROLINE
<b>Manufacturer No.</b>	17.03.1125
<b>EAN (single piece)</b>	7611990149780



- Space saving mounting of LCD monitors on walls
- VESA 75 (75 x 75 mm) fixation
- Inclination adjustable over joints
- Pivot function: 270°

## Technical specifications

Manufacturer	ROLINE
Product group	LCD-Monitor arms
Product type	Monitor Arms, wall mount
Colour	black
Load capacity	1-6 kg
Quantity of pivots	2
Fixing	wall mount
Maximal arm length	100 mm
Adjustments	Mechanical
VESA 75 x 75 mm	Yes