

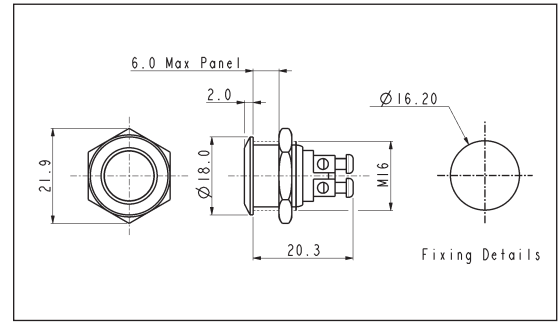
Stainless Steel - Momentary

FLUSH PROFILE



- 18mm bezel diameter
- 16mm panel hole
- S.P. Push to make
- Polished finish
- 2A, 48V d.c.

MP0042/1

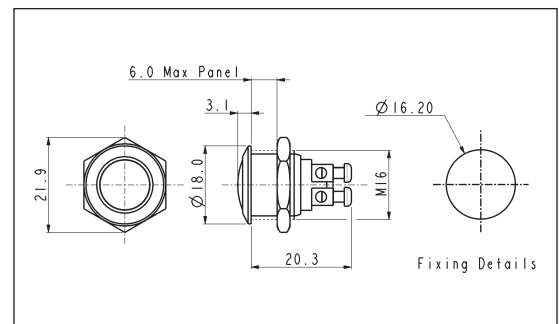


DOMED PROFILE



- 18mm bezel diameter
- 16mm panel hole
- S.P. Push to make
- Polished finish
- 2A, 48V d.c.

MP0042/2

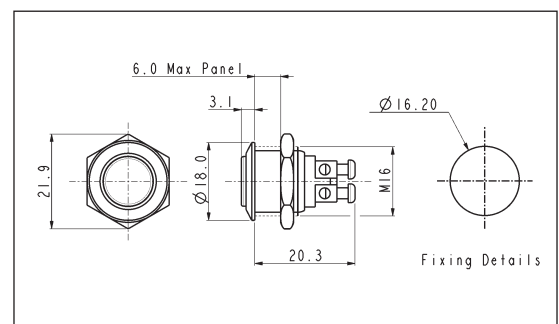


PROMINENT BUTTON



- 18mm bezel diameter
- 16mm panel hole
- S.P. Push to make
- Polished finish
- 2A, 48V d.c.

MP0042/3



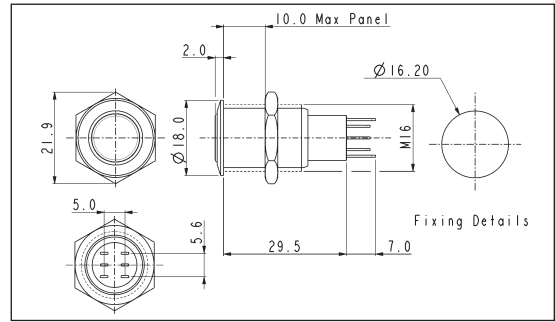
Specification	MP0042/1	MP0042/2	MP0042/3
Terminations:	Screw Terminals	Screw Terminals	Screw Terminals
Switching:	S.P. Push to Make	S.P. Push to Make	S.P. Push to Make
Max. Rating:	2A, 48V d.c.	2A, 48V d.c.	2A, 48V d.c.
Contact Resistance:	50mΩ at 1A, 2V	50mΩ at 1A, 12V	50mΩ at 1A, 12V
Insulation Resistance:	>10 ³ MΩ @ 500V d.c.	>10 ³ MΩ @ 500V d.c.	>10 ³ MΩ @ 500V d.c.
Dielectric Strength:	>2.0kV a.c.	>2.0kV a.c.	>2.0kV a.c.
Operating Temp. Range:	-20°C to +55°C	-20°C to +55°C	-20°C to +55°C
Operations			
Mechanical:	1,000,000 (min)	1,000,000 (min)	1,000,000 (min)
Electrical:	100,000 (min)	100,000 (min)	100,000 (min)
Rear Nut Fixing Torque:	12Nm	12Nm	12Nm
Materials			
Mouldings:	Nylon	Nylon	Nylon
Tags/Terminations:	Brass, Silver Plated	Brass, Silver Plated	Brass, Silver Plated
Switch Body & Button:	Stainless Steel (Polished)	Stainless Steel (Polished)	Stainless Steel (Polished)
Contacts:	Silver	Silver	Silver
Variants:	Gold Plated Brass version available	Gold Plated Brass version available	Gold Plated Brass version available
RoHS	Compliant	Compliant	Compliant

Stainless Steel - Momentary

LOW PROFILE



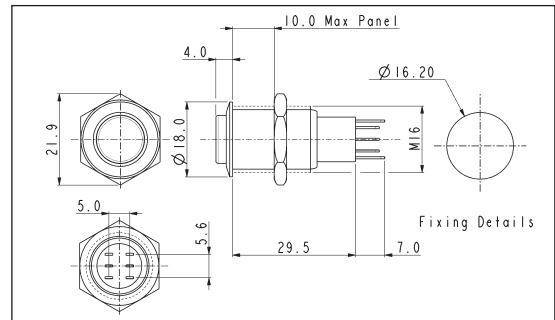
- 18mm bezel diameter
- 16mm fixing hole diameter
- D.P.C.O
- 3A, 250V



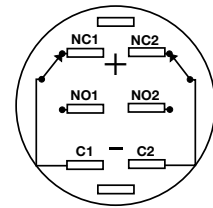
PROMINENT BUTTON



- 18mm bezel diameter
- 16mm fixing hole diameter
- D.P.C.O
- 3A, 250V



Contact Layout



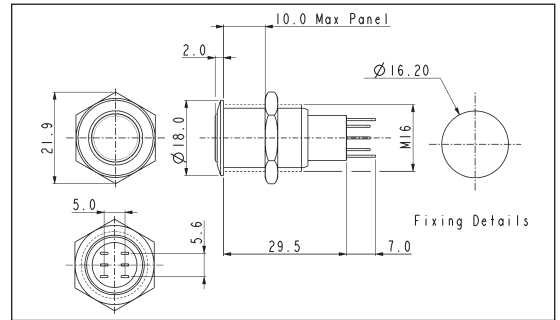
Specification	MP0045/1D0NN000	MP0045/3D0NN000
Terminations:	Solder tags	Solder Tags
Switching:	D.P.C.O Momentary Action	D.P.C.O Momentary Action
Max. Rating:	3A, 250V	3A, 250V
Contact Resistance:	50mΩ max. @ 1A, 2V	50mΩ max. @ 1A, 2V
Insulation Resistance:	>10 ³ MΩ @ 500V d.c.	>10 ³ MΩ @ 500V d.c.
Dielectric Strength:	> 2.0kV a.c.	> 2.0kV a.c.
Operating Temp. Range:	-20°C to +55°C	-20°C to +55°C
Operations		
Mechanical:	200,000 (min)	200,000 (min)
Electrical:	30,000 (min)	30,000 (min)
Rear Nut Fixing Torque:	12Nm max.	12Nm max.
Materials		
Mouldings:	Nylon	Nylon
Tags/Terminations:	Brass, Silver Plated	Brass, Silver Plated
Switch Body & Button:	Stainless Steel	Stainless Steel
Contacts:	Silver	Silver
Variants:	Nickel Plated Brass version available details on request	Nickel Plated Brass version available details on request
RoHS	Compliant	Compliant

Stainless Steel - Latching

LOW PROFILE



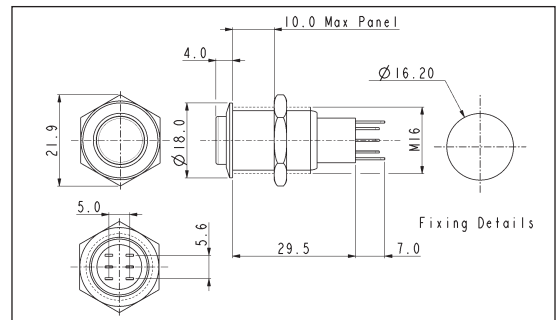
- 18mm bezel diameter
- 16mm fixing hole diameter
- D.P.C.O.
- 3A, 250V a.c.



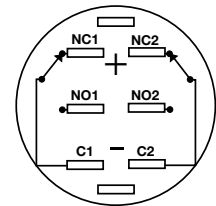
PROMINENT BUTTON



- 18mm bezel diameter
- 16mm fixing hole diameter
- D.P.C.O.
- 3A, 250V a.c.



Contact Layout



Specification	MP0045/1E0NN00	MP0045/3E0NN00
Terminations:	Solder Tags	Solder Tags
Switching:	D.P.C.O. - Latching Action	D.P.C.O. - Latching Action
Max. Rating:	3A, 250V	3A, 250V
Contact Resistance:	50mΩ max. @ 1A, 2V	50mΩ max. @ 1A, 2V
Insulation Resistance:	>10 ³ MΩ @ 500V d.c.	>10 ³ MΩ @ 500V d.c.
Dielectric Strength:	>2.0kV a.c.	>2.0kV a.c.
Operating Temp. Range:	-20°C to +55°C	-20°C to +55°C
Operations		
Mechanical:	200,000 (min)	200,000 (min)
Electrical:	30,000 (min)	30,000 (min)
Rear Nut Fixing Torque:	12Nm max.	12Nm max.
Materials		
Mouldings:	Nylon	Nylon
Tags/Terminations:	Brass, Tin Plated	Brass, Tin Plated
Switch Body & Button:	Stainless Steel (Polished)	Stainless Steel (Polished)
Contacts:	Silver	Silver
Variants:	Nickel Plated Brass version details on request	Nickel Plated Brass version details on request
RoHS	Compliant	Compliant

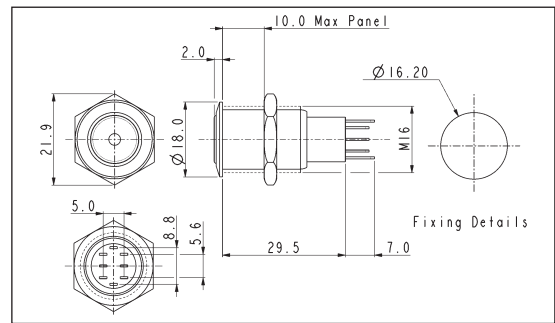
Stainless Steel Illuminated Momentary

FRONT PANEL MOUNTING



MP0045/1D1

- Dot Illuminated
- 18mm bezel diameter
- D.P.C.O.
- 3A, 250V ac
- Red, Green, Amber or Blue Illumination
- Separate LED Terminals

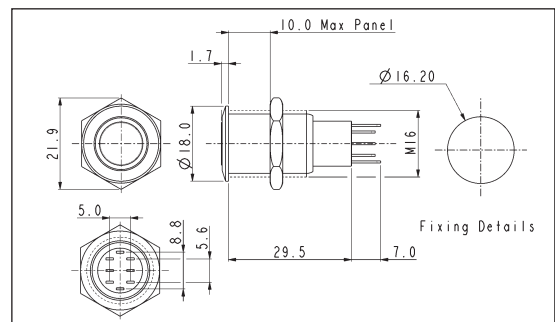


FRONT PANEL MOUNTING

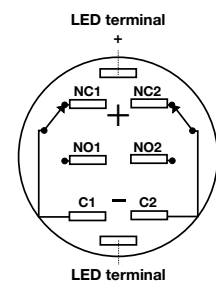


MP0045/1D2

- Ring Illuminated
- 18mm bezel diameter
- D.P.C.O.
- 3A, 250V ac
- Red, Green, Amber or Blue Illumination
- Separate LED Terminals



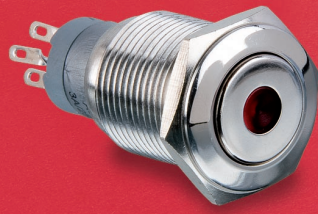
Contact Layout



Specification	MP0045/1D1/Colour/Voltage	MP0045/1D2/Colour/Voltage
Terminations:	Solder Tags	Solder Tags
Illumination:	Dot	Ring
Switching:	D.P.C.O. Momentary Action	D.P.C.O. Momentary Action
Max. Switch Rating:	3A, 250V a.c.	3A, 250V a.c.
LEDs		
Colours	Red Green Amber Blue	Red Green Amber Blue
Part No.	/RD /GN /AM /BL	/RD /GN /AM /BL
Voltage	12V d.c. 220V d.c.	12V d.c. 220V d.c.
Part No.	/012 /220	/012 /220
Contact Resistance:	50mΩ max. @ 1A, 2V d.c.	50mΩ max. @ 1A, 2V d.c.
Insulation Resistance:	>10 ³ MΩ @ 500V a.c.	>10 ³ MΩ @ 500V a.c.
Dielectric Strength:	>2.0kV a.c.	>2.0kV a.c.
Operating Temp. Range:	-30°C to +55°C	-30°C to +55°C
Operations		
Mechanical:	200,000 (min)	200,000 (min)
Electrical:	30,000 (min)	30,000 (min)
Rear Nut Fixing Torque:	12Nm	12Nm
Materials		
Mouldings:	Nylon	Nylon
Tags:	Brass, Silver Plated	Brass, Silver Plated
Switch Body & Button:	Stainless Steel (Polished)	Stainless Steel (Polished)
O ring:	Nitrile	Nitrile
Variants	Prominent Button, details on request	Prominent Button, details on request
RoHS	Compliant	Compliant

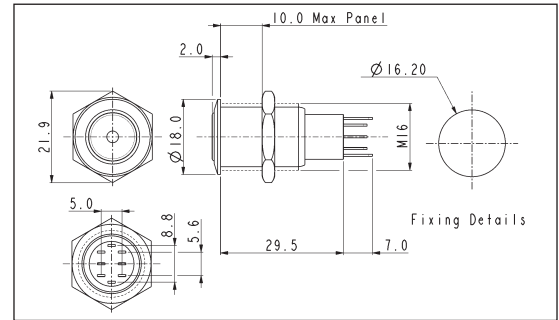
Stainless Steel Illuminated Latching

FRONT PANEL MOUNTING



MP0045/1E1

- Dot Illuminated
- 18mm bezel diameter
- D.P.C.O.
- 3A, 250V ac
- Red, Green, Amber or Blue Illumination
- Separate LED Terminals

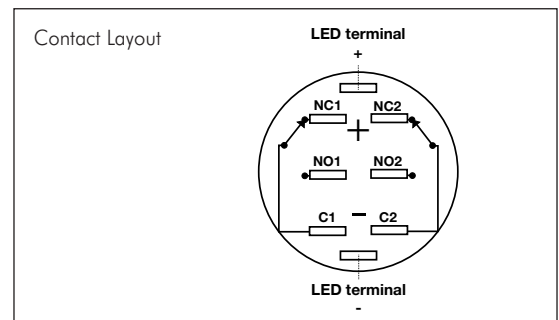
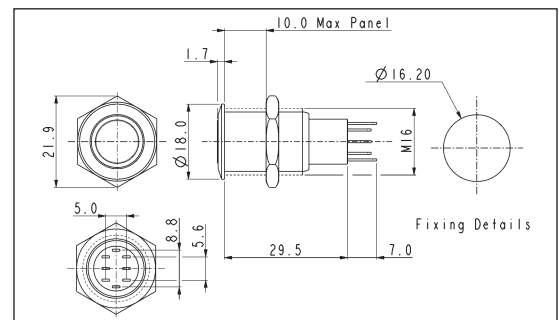


FRONT PANEL MOUNTING



MP0045/1E2

- Ring Illuminated
- 18mm bezel diameter
- D.P.C.O.
- 3A, 250V ac
- Red, Green, Amber or Blue Illumination
- Separate LED Terminals



Specification	MP0045/1E1/Colour/Voltage	MP0045/1E2/Colour/Voltage
Terminations:	Solder Tags	Solder Tags
Illumination:	Dot	Ring
Switching:	D.P.C.O. Latching Action	D.P.C.O. Latching Action
Max. Switch Rating:	3A, 250V a.c.	3A, 250V a.c.
LEDs		
Colours	Red /RD Green /GN Amber /AM Blue /BL	Red /RD Green /GN Amber /AM Blue /BL
Part No.		
Voltage	12V d.c. 220V d.c.	12V d.c. 220V d.c.
Part No.	/012 /220	/012 /220
Contact Resistance:	50mΩ max. @ 1A, 2V d.c.	50mΩ max. @ 1A, 2V d.c.
Insulation Resistance:	>10 ³ MΩ @ 500V a.c.	>10 ³ MΩ @ 500V a.c.
Dielectric Strength:	>2.0kV a.c.	>2.0kV a.c.
Operating Temp. Range:	-30°C to +55°C	-30°C to +55°C
Operations		
Mechanical:	200,000 (min)	200,000 (min)
Electrical:	30,000 (min)	30,000 (min)
Rear Nut Fixing Torque:	12Nm	12Nm
Materials		
Mouldings:	Nylon	Nylon
Tags:	Brass, Silver Plated	Brass, Silver Plated
Switch Body & Button:	Stainless Steel (Polished)	Stainless Steel (Polished)
O ring:	Nitrile	Nitrile
Variants	Prominent Button, details on request	Prominent Button, details on request
RoHS	Compliant	Compliant