

## Full Metal Hoods

## D45ZF-RG+D-Sub Solder Cup

### TECHNICAL SPECIFICATIONS

#### D-Sub Hood:

Material: Zinc, Nickel Plated  
 Operating Temperature: -45°C to + 105°C  
 Cable Entry: Side Entry  
 Thumbscrews: UNC 4-40 (Standard)

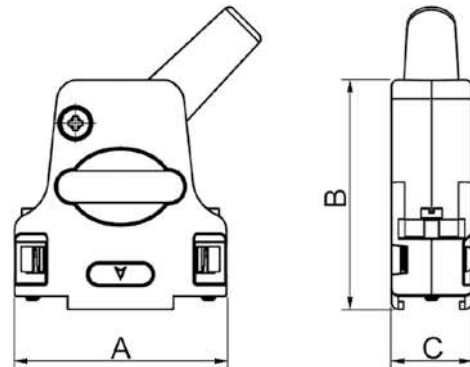
#### Cable O.D - Standard:

9-Way: Up to 6,5mm with grommet - 9,5mm without grommet  
 15-Way: Up to 6,5mm with grommet - 12,5mm without grommet  
 25-Way: Up to 8.0mm with grommet - 12,5mm without grommet  
 37-Way: Up to 9.0mm with grommet - 15,0mm without grommet



#### Standard D-Sub Solder Cup:

Insulator: Glass filled TP, UL94 V-0  
 Shell: Steel, Tin Plated  
 Contact pins: Copper Alloy  
 Gold Flash over Ni.  
 Stamped & Formed Pins: Class 3, 100 inserts min.  
 Contact Plating: Gold flash over Nickel  
 Operating Temperature: -55°C to +85°C  
 Withstanding voltage: >1000V Rms to 50 Hz for 1 minute  
 Current Rating: 5A  
 Insulator resistance: >5000MΩ min.



#### Features:

- Available in sizes 9-15-25-37
- Excellent EMI Shielding
- Re-openable
- Spring-Clip mounted Jackscrews

Size D45ZF	Dim A	Dim B	Dim C
9-way	31,6	39,5	15,2
15-way	40,0	41,0	15,2
25-way	53,7	47,5	15,2
37-way	70,2	48,0	15,2

### Ordering information:

### Standard D-Sub Connector Kits

Size:	P/N - Kitted:	Description:
9-way	L17D45ZF09-RG+L717SDE09P	Solder Cup, 9-Male
15-way	L17D45ZF15-RG+L717SDA15P	Solder Cup, 15-Male
25-way	L17D45ZF25-RG+L717SDB25P	Solder Cup, 25-Male
37-way	L17D45ZF37-RG+L717SDC37P	Solder Cup, 37-Male

Size:	P/N - Kitted:	Description:
9-way	L17D45ZF09-RG+L77SDE09S	Solder Cup, 9-Female
15-way	L17D45ZF15-RG+L77SDA15S	Solder Cup, 15-Female
25-way	L17D45ZF25-RG+L77SDB25S	Solder Cup, 25-Female
37-way	L17D45ZF37-RG+L77SDC37S	Solder Cup, 37-Female