

TERMINAL BLOCK

15XX STD

Replace XX with 02, 04, 06, 08 or 12 for number of poles



Wire Range

- #10 - #22 AWG Copper Solid

Electrical Ratings

- Amps
 - 30 Amps (unprepared wire)
 - 75 Amps (when wired with crimp type ring, spade or fork terminal)
- 600 Volts AC/DC (UL 1059 Class C, User Group - General Industrial)
- Short Circuit Current Rated for 10,000 Amps
- Factory & Field Wiring

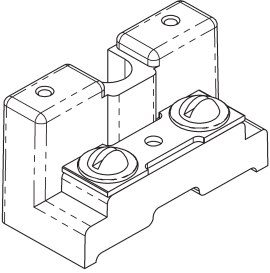
Agency Compliance

- UL Recognized, UL 1059 Terminal Block Standard, File No. XCFR2.E62806
- CSA - certified to C22.2 No. 158, File No. LR19766
- CE compliant to IEC 60947-7-1
- RoHS Complaint

Material Information

- Connector: Brass, nickel plated
- Insulator base:
 - Phenolic
 - Flammability rating of insulator base: UL 94 V-0
 - Insulator base temperature rating: -40°C to 150°C (UL RTI)
- Terminal Screws: Plated Brass
- Marking Strips: Vinyl (White)
- Anchor screws: Steel, zinc plated

Termination Specifications

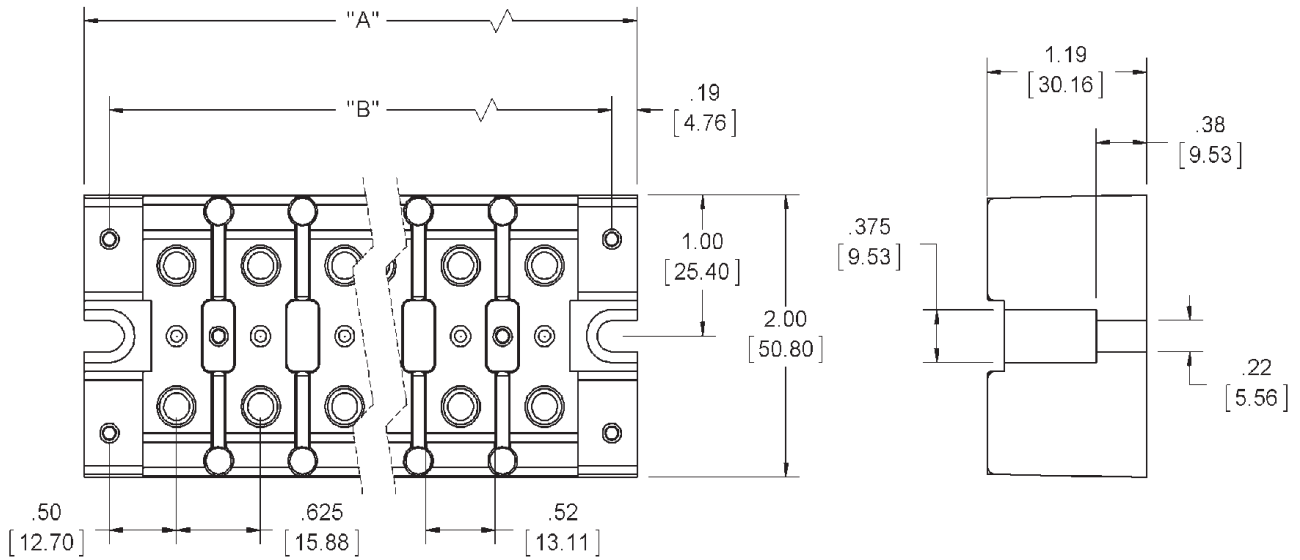
	Wire Range/ Terminal Type	Torque	Max Lug Width
	#10 - 22 AWG	20 in-lbs	N/A
	Listed Lug, Ring, Fork Terminals	20 in-lbs	.50"

Installation & Accessories

- Mounting
 - For use with #10 fastener
 - Recommended mounting torque not to exceed 25-30 in lbs
- Jumper
 - MCJ (Multi-Circuit Jumper) Bar Available: Only sold loose and the marking strip must be removed to assemble MCJ bar on part.
- Cover
 - Clear cover: Thermoplastic, UL Recognized QMFZ2 - order CC 15XX (XX representing number of poles).

STYLE 01	A	B	C	D
Example	1 2 3 4 5	5 4 3 2 1	1 2 3 4 5	5 4 3 2 1

Drawing



Catalog #	# of Poles	A	B
1504	4	3.25	2.88
1506	6	4.50	4.12
1508	8	5.75	5.38
1512	12	8.25	7.88