

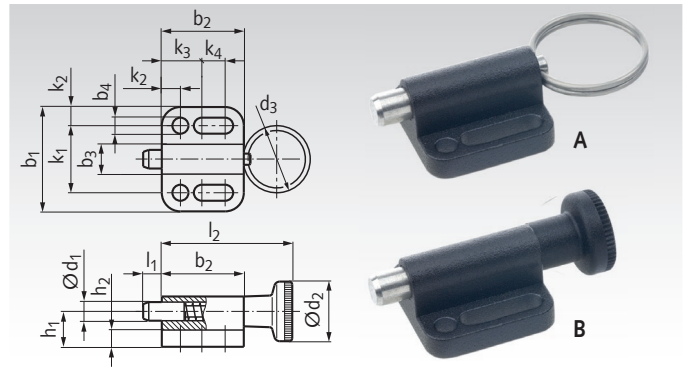
## Indexing Plungers 417, without Rest Position

**Material:** Housing zinc die-cast, plastic coated black, textured finish. Plunger pin: Stainless steel 1.4305 (AISI 303). Spring and lifting ring (type A): Stainless steel 1.4310. Knob (type B): Plastic (Polyamide PA) black, matt finish, not removable.

Indexing Plungers without rest position are used where, on releasing the knob or lifting ring, the plunger pin should be returned to its initial position by the spring force.

**Type A:** without rest position, with lifting ring.

**Type B:** without rest position, with knob.



Ordering Details: e.g.: Product No. 666 680 04, Indexing Plunger 417 type A, 4mm

Product No.	Type	d <sub>1</sub> mm	d <sub>2</sub> mm	d <sub>3</sub> mm	b <sub>1</sub> mm	b <sub>2</sub> mm	b <sub>3</sub> mm	b <sub>4</sub> mm	h <sub>1</sub> mm	h <sub>2</sub> mm	k <sub>1</sub> mm	k <sub>2</sub> mm	k <sub>3</sub> mm	k <sub>4</sub> mm	l <sub>1</sub> mm	l <sub>2</sub> mm	Spring Load*		Weight g
																	Initial N	End N	
666 680 04	A	4	-	14	22	16,5	6	3,3	7,0	4	14	4	8	4,5	4	-	3	12	11
666 680 05	A	5	-	18	28	22	8	4,3	9,5	4,5	18	5	10	7	5	-	5	24	22
666 680 06	A	6	-	24	32	27,5	10	5,4	10,5	5	21	5,5	12	10	6	-	5	21	36
666 680 08	A	8	-	30	34	33	12	5,4	12,5	6	23	5,5	12	15,5	8	-	6	22	58
666 680 10	A	10	-	30	39	35	14,5	6,5	14,5	6	27	6	15	13,5	10	-	4	25	83
666 681 04	B	4	12	-	22	16,5	6	3,3	7,0	4	14	4	8	4,5	4	26,5	3	12	11
666 681 05	B	5	16	-	28	22	8	4,3	9,5	4,5	18	5	10	7	5	35	5	24	22
666 681 06	B	6	18	-	32	27,5	10	5,4	10,5	5	21	5,5	12	10	6	43	5	21	37
666 681 08	B	8	21	-	34	33	12	5,4	12,5	6	23	5,5	12	15,5	8	51	6	22	59
666 681 10	B	10	25	-	39	35	14,5	6,5	14,5	6	27	6	15	13,5	10	57,5	4	25	90

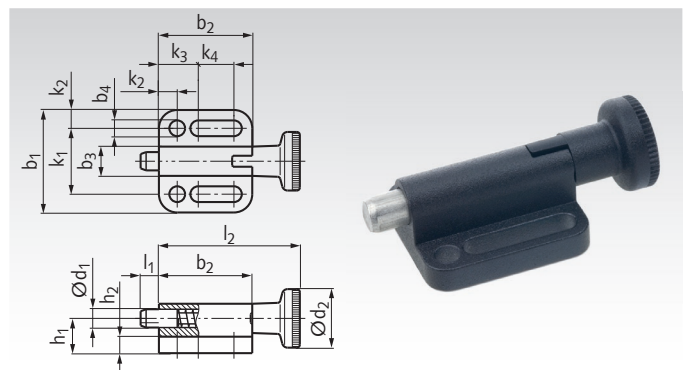
\* Statistical average.

## Indexing Plungers 417, with Rest Position

**Material:** Housing zinc die-cast, plastic coated black, textured finish. Plunger pin: Stainless steel 1.4305 (AISI 303). Spring: Stainless steel 1.4310. Knob: Plastic (Polyamide PA) black, matt finish, not removable.

Indexing Plungers with rest position are used where the pin has to remain in retracted position. To achieve this, the knob is rotated by 90 degrees after being retracted. A notched catch stops the locked-in knob from returning to its initial position accidentally or due to vibration.

**Type C:** with rest position, with knob.



Ordering Details: e.g.: Product No. 666 682 04, Indexing Plunger 417 type C, 4mm

Product No.	Type	d <sub>1</sub> mm	d <sub>2</sub> mm	b <sub>1</sub> mm	b <sub>2</sub> mm	b <sub>3</sub> mm	b <sub>4</sub> mm	h <sub>1</sub> mm	h <sub>2</sub> mm	k <sub>1</sub> mm	k <sub>2</sub> mm	k <sub>3</sub> mm	k <sub>4</sub> mm	l <sub>1</sub> mm	l <sub>2</sub> mm	Spring Load*		Weight g
																Initial N	End N	
666 682 04	C	4	12	22	19	6	3,3	7	4	14	4	8	7	4	29	3	12	10
666 682 05	C	5	16	28	25,5	8	4,3	9,5	4,5	18	5	10	10,5	5	38,5	5	24	25
666 682 06	C	6	18	32	30,5	10	5,4	10,5	5	21	5,5	12	13	6	46	5	21	41
666 682 08	C	8	21	34	37,5	12	5,4	12,5	6	23	5,5	12	20	8	55,5	6	22	66
666 682 10	C	10	25	39	40	14,5	6,5	14,5	6	27	6	15	18,5	10	62,5	4	25	98

\* Statistical average.