

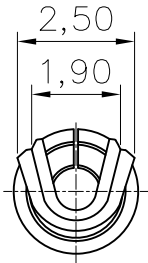
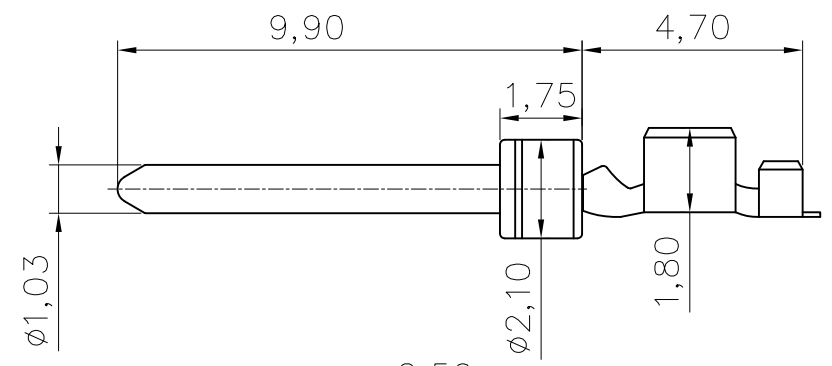
This document is the property of Amphenol Corporation and is delivered on the express condition that it is not to be disclosed, reproduced or used, in whole or in part, for manufacture or sale by anyone other than Amphenol Corporation without its prior consent, & that no right is granted to disclose or to use any information in this document.

REVISIONS				
SYM	ECN	DESCRIPTION	DATE	APPROVED
1			12/19/08	

**D-SUB TECHNICAL DATA**

**CONTACTS:**

- Material: Brass
- Finishes: gold flash over all
- Contact current rating: 3A
- Contact resistance: 20 mOhms max.



PLUG



**PRODUCT CODE**

L 17 RR D1 M 01 100

L: RoHS Compliance

Wire size:  
D1=20 to 24 AWG

Contact type:  
M=male

Packaging:  
100=100 cts

Full gold plating:  
01=gold flash over all

**Customer drawing**

UNLESS OTHERWISE SPECIFIED <b>TOLERANCES</b> U.S. METRIC .X +/- 0.50 .XX +/- 0.30 .XXX +/- 0.20 FRACTIONS +/- ANGLES +/- 2°	<b>APPROVAL</b> DRAWN Christina.cou 12/19/08 CHECKED ltk.wang 12/19/08 CHECKED	<b>DATE</b> 12/19/08	Amphenol  TITLE CONTACTS, RR series
	<b>DRAWING FILE :</b>		
FOR MATERIALS AND FINISHES SEE NOTES REMOVE SHARP EDGES	<b>ANGLE OF PROJECTION</b> 		<b>SIZE</b> DRAWING NO. A4 C L17RRD1M01100
<b>DIMENSIONS</b> U.S. INCHES METRIC MM	<b>SCALE</b> NONE		<b>REV.</b> 1 <b>SHEET 1 OF 1</b>