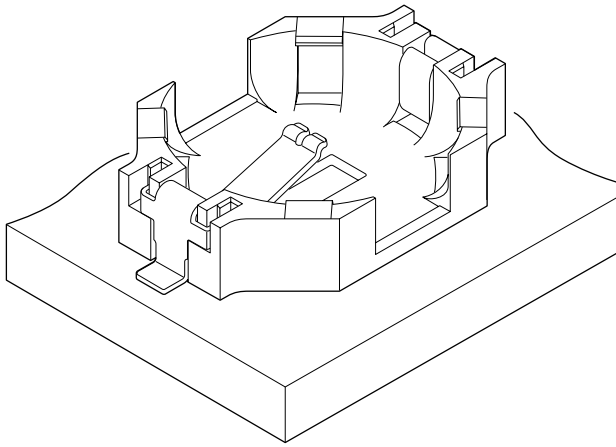


# PB CONNECTOR



**Connector for button batteries used in the compact mobile equipment such as mobile phones. Mounting cost will be reduced by using this connector in place of manual soldering. And, button batteries can be more easily disassembled after use for recycling's sake.**

- Resistant to the shock
- Double contact point

## Specifications

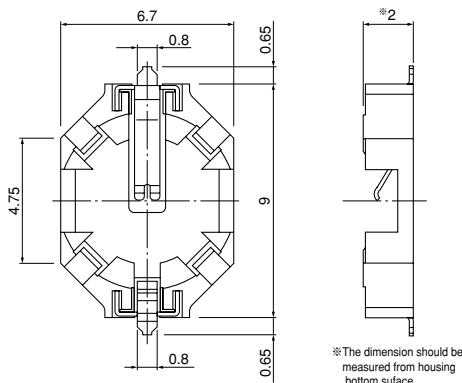
- Applicable batteries: 614 type battery ( $\phi$  6.8 mm  $\times$  1.4 height)  
621 type battery ( $\phi$  6.8 mm  $\times$  2.1 height)
  - Temperature range: -25°C to +85°C  
(including temperature rise in applying electrical current)
  - Contact resistance: Initial value/ 100 m $\Omega$  max.  
After environmental tests/ 120 m $\Omega$  max.
  - Insulation resistance: 1,000 M $\Omega$  min.
  - Withstanding voltage: 500 VAC/minute
- \* Refer to "General Instruction and Notice when using Terminals and Connectors" at the end of this catalog.  
\* Contact JST for details.  
\* Compliant with RoHS.

## Standards

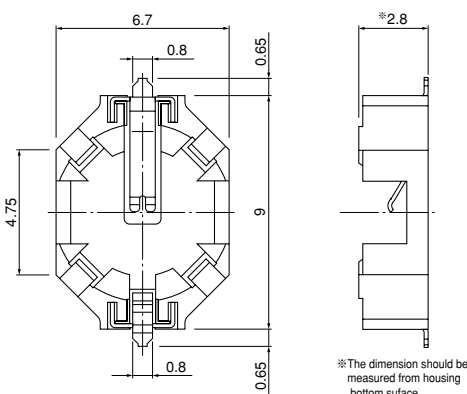
Recognized E60389

### Connector

#### 614 type



#### 621 type



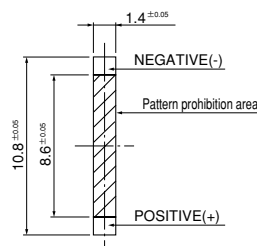
| Type | Holder part | Model No.            | Q'ty / reel |
|------|-------------|----------------------|-------------|
| 614  | Resin hook  | <b>PB-614SS13-TF</b> | 2,000       |
| 621  | Resin hook  | <b>PB-621SR13-TF</b> | 2,000       |

#### Material and Finish

Contact: Copper alloy, nickel-undercoated, gold-plated  
Housing: Glass-filled LCP, UL94V-0, natural (ivory)

#### RoHS compliance

#### PB-614SS13-TF PB-621SR13-TF



Note: The above figure is the figure viewed from the connector mounting side.