

ABS Plastic Project Enclosures - Shallow Lid

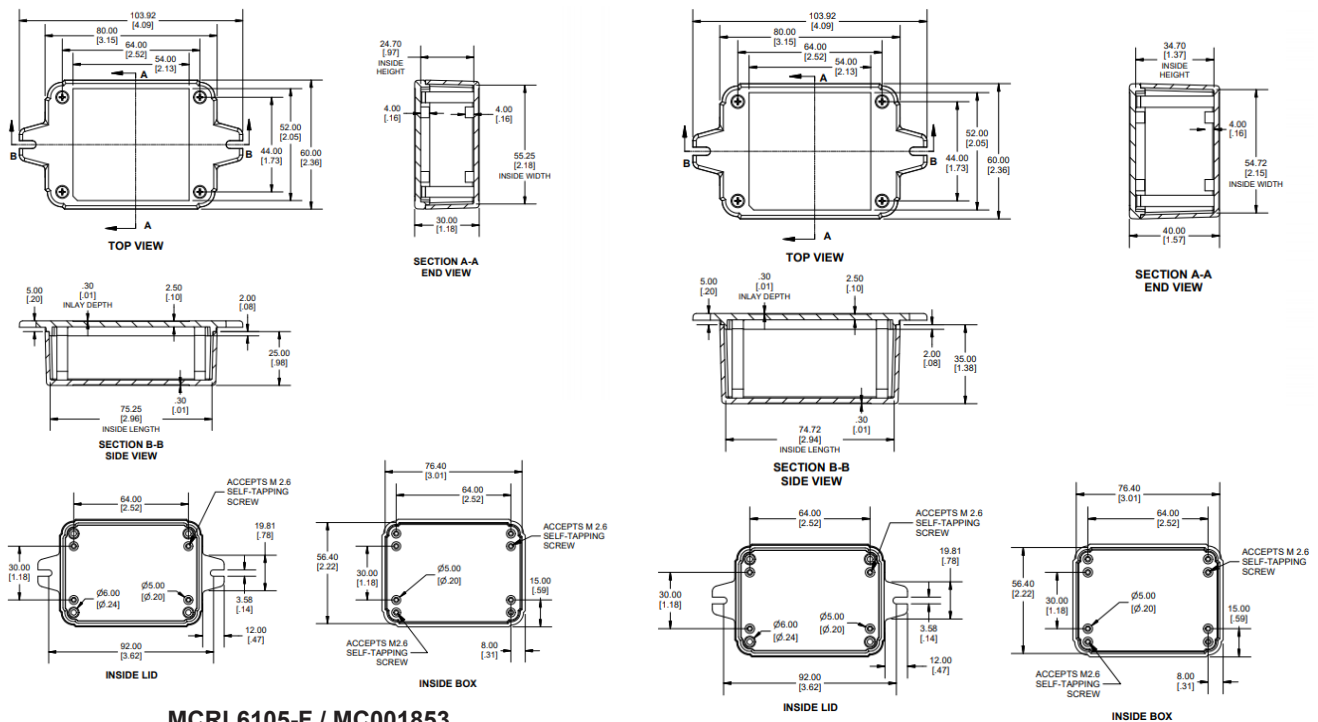
multicomp^{PRO}

RoHS
Compliant



Features

- Designed to house P.C. boards for hand-held use or wall mount.
- Molded in light grey or black general purpose ABS plastic with a light texture.
- Two part construction. Both halves include smooth recessed area for membrane, label or silk screen (see chart below for recess size).
- P.C. board standoffs are molded into both halves of the enclosure (see photo tables for details).
- Designed to meet IP54.
- All sizes also available in a flanged lid version.
- Includes four M2.6 assembly screws.



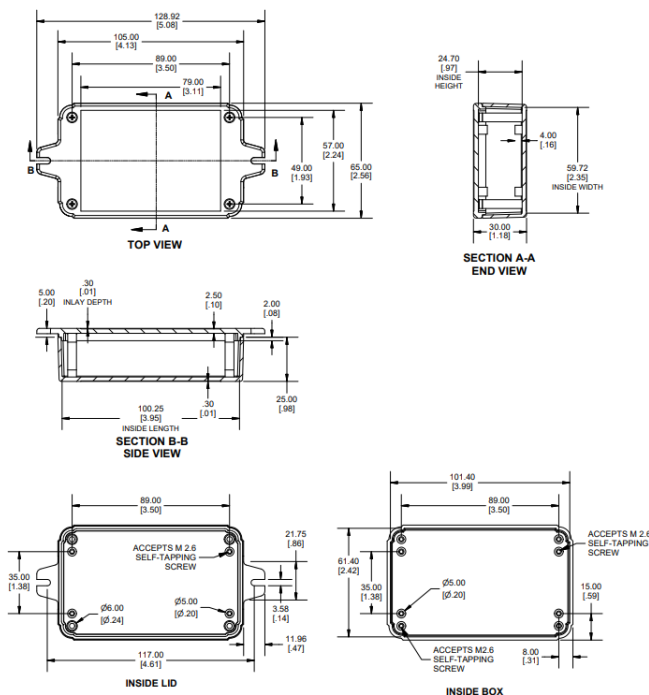
Dimensions : Millimetres (Inches)

Newark.com/multicomp-pro
Farnell.com/multicomp-pro
Element14.com/multicomp-pro

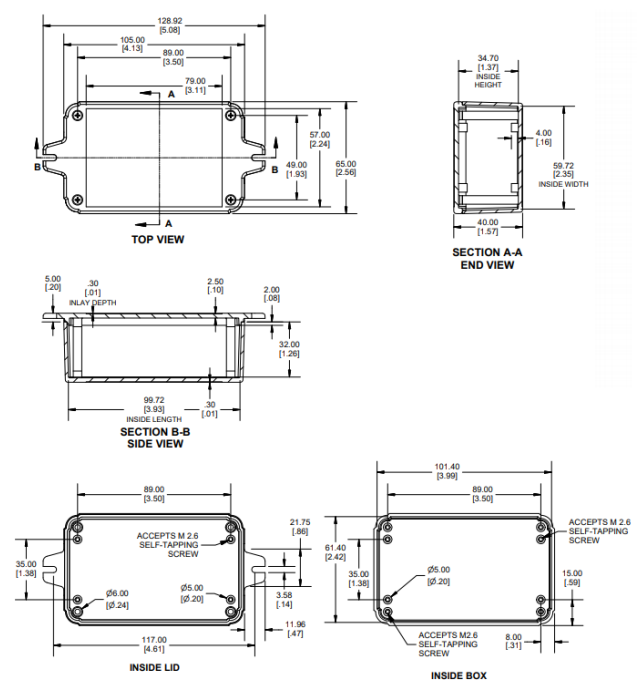
multicomp^{PRO}

ABS Plastic Project Enclosures - Shallow Lid

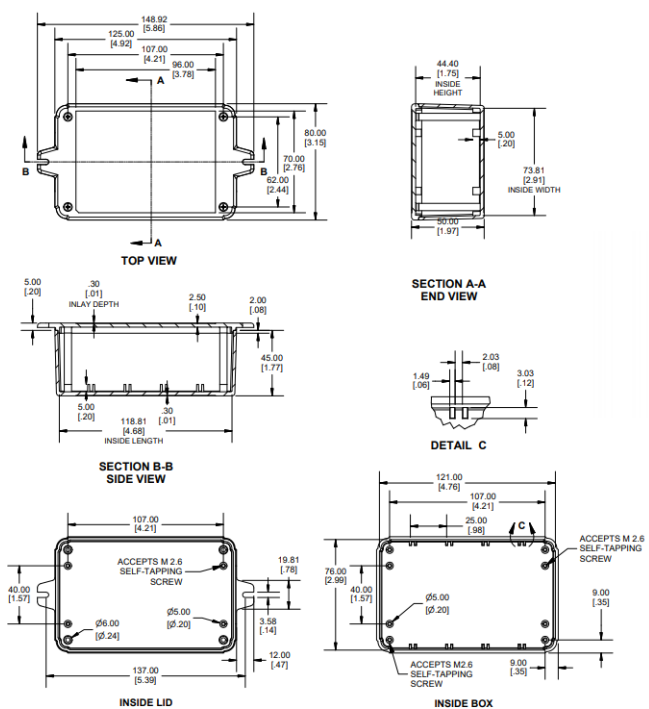
multicomp PRO



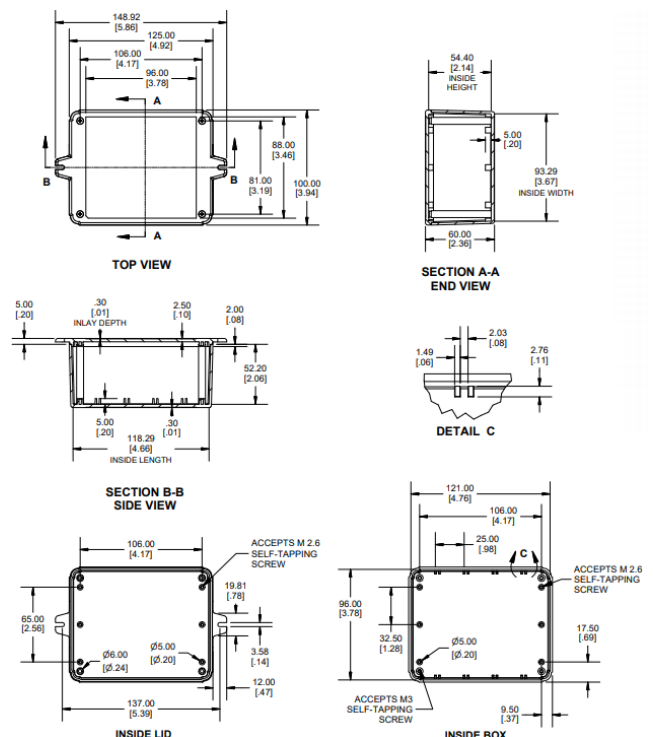
MC001856 / MC001857



MC001858 / MC001859



MCRL6225-F / MC001861



MCRL6335-F / MC001862

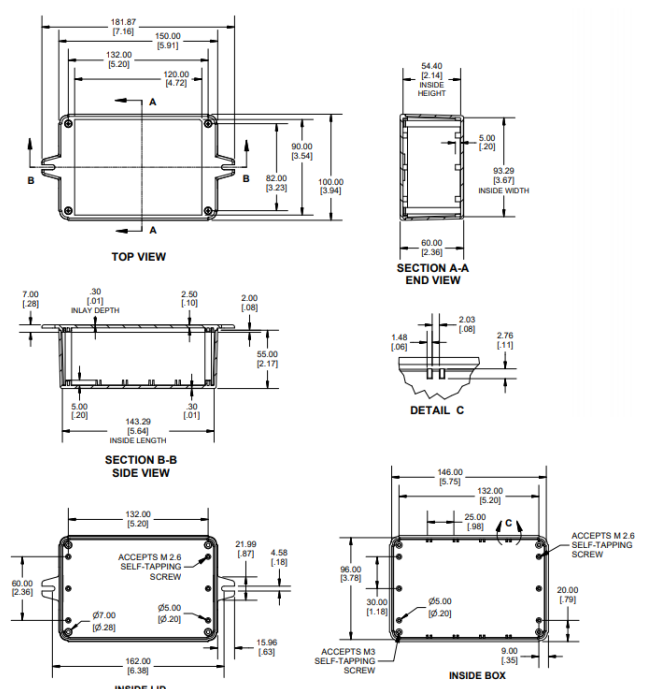
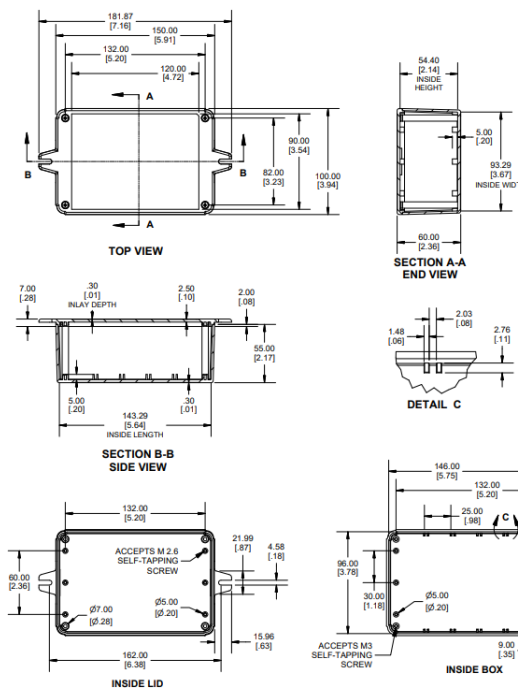
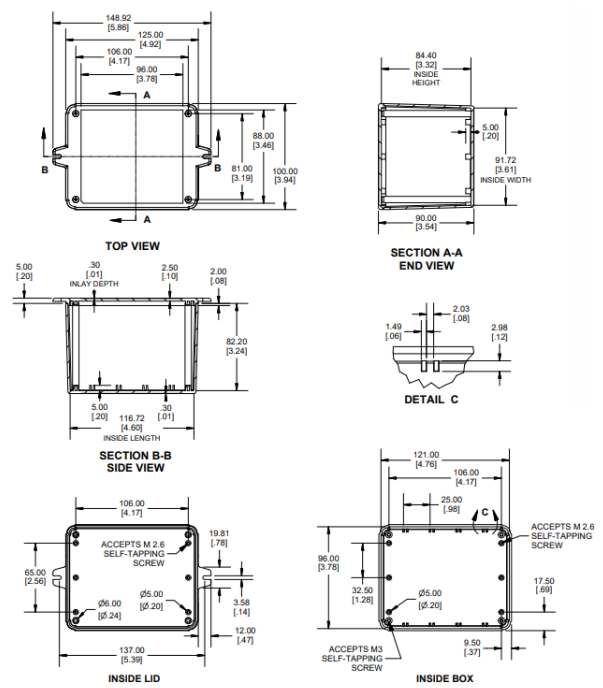
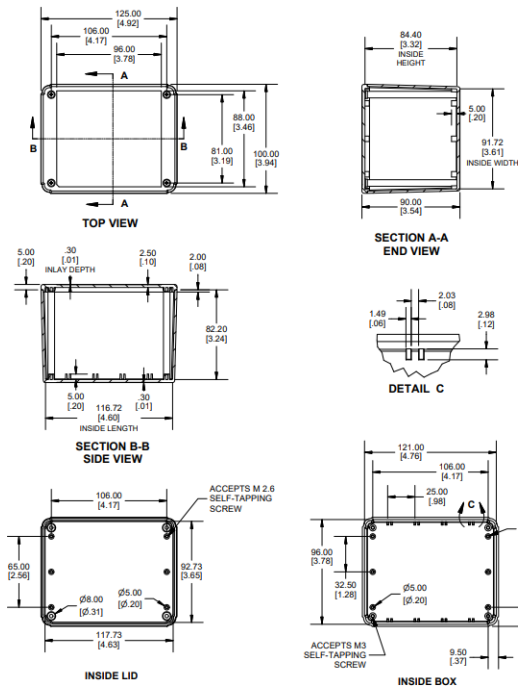
Dimensions : Millimetres (Inches)

Newark.com/multicomp-pro
Farnell.com/multicomp-pro
Element14.com/multicomp-pro

multicomp PRO

ABS Plastic Project Enclosures - Shallow Lid

multicomp PRO



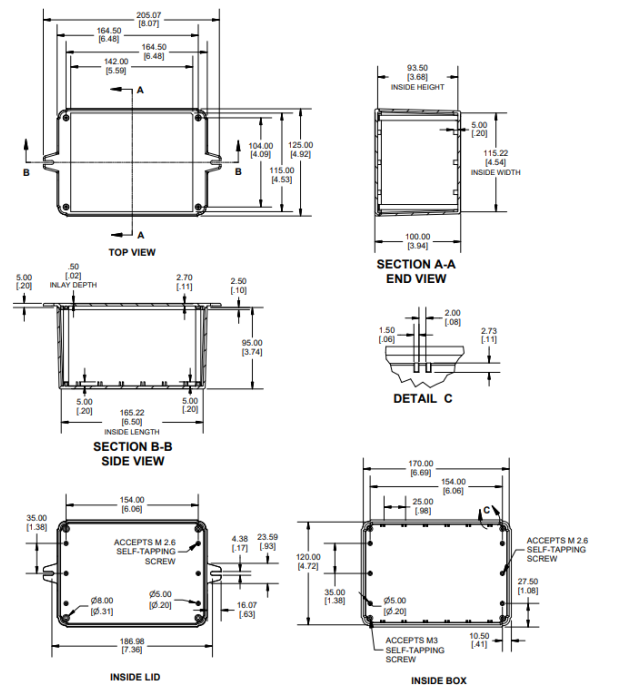
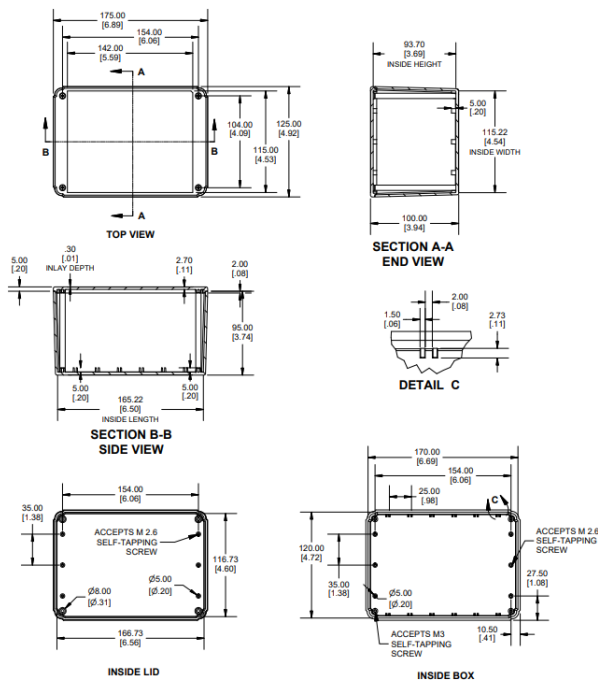
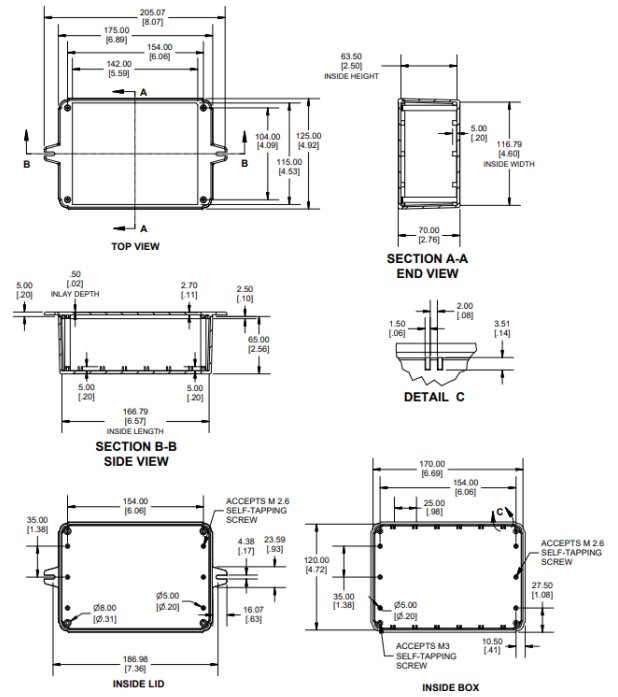
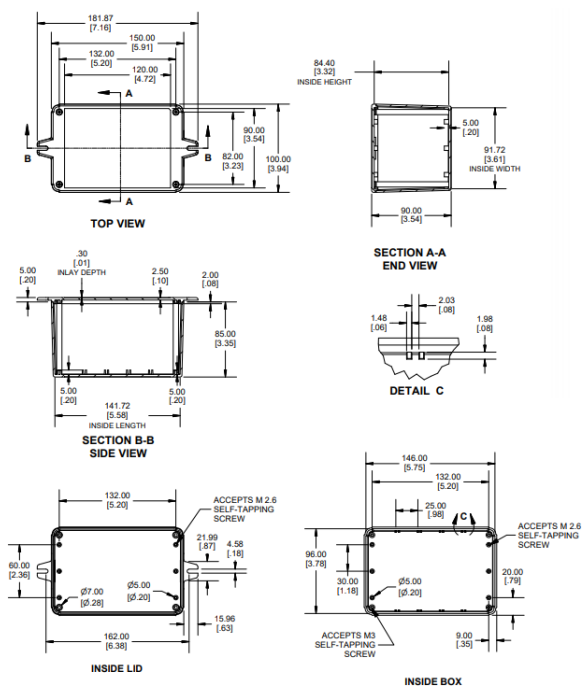
Dimensions : Millimetres (Inches)

Newark.com/multicomp-pro
 Farnell.com/multicomp-pro
 Element14.com/multicomp-pro

multicomp PRO

ABS Plastic Project Enclosures - Shallow Lid

multicomp PRO

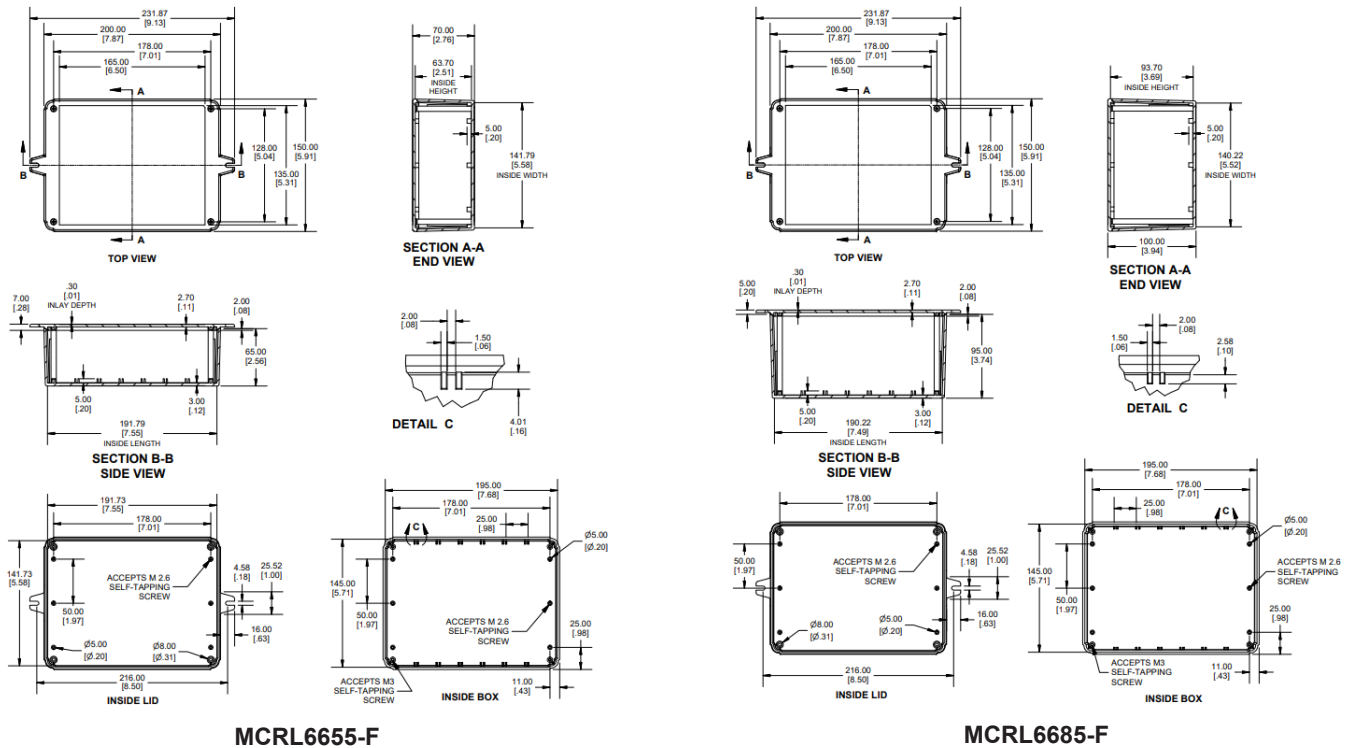


Dimensions : Millimetres (Inches)

Newark.com/multicomp-pro
 Farnell.com/multicomp-pro
 Element14.com/multicomp-pro

multicomp PRO

ABS Plastic Project Enclosures - Shallow Lid



Dimensions : Millimetres (Inches)

Enclosures (No Wall Mounting Flanges)

Grey Enclosure	Length	Width	Depth (with lid)	Lid Recess Size	Bottom Recess Size	PCB Mounting Dim
MCRL6365	4.92	3.94	3.54	3.78 × 3.46	3.78 × 3.46	4.17 × 2.56
MCRL6585	6.89	4.92	3.94	5.59 × 4.53	5.59 × 4.41	6.06 × 2.76

Dimensions : Inches



ABS Plastic Project Enclosures - Shallow Lid



Enclosures with Wall Mounting Flanges

Black Enclosure	Grey Enclosure	Length	Width	Depth (with lid)	Lid Recess Size	Bottom Recess Size	PCB Mounting Dim
-	MC001853	3.15	2.36	1.18	2.13 × 2.05	2.13 × 2.05	2.52 × 1.18
-	MCRL6105-F						
-	MCRL6115-F	3.15	2.36	1.57	2.13 × 2.05	2.13 × 2.05	2.52 × 1.18
MC001857	MC001856	4.13	2.56	1.18	3.11 × 2.24	3.11 × 2.24	3.5 × 1.38
MC001859	MC001858	4.13	2.56	1.57	3.11 × 2.24	3.11 × 2.24	3.5 × 1.38
MC001861	MCRL6225-F	4.92	3.15	1.97	3.78 × 2.76	3.78 × 2.76	4.21 × 1.57
MC001862	MCRL6335-F	4.92	3.94	2.36	3.78 × 3.46	3.78 × 3.46	4.17 × 2.56
MC001863	MCRL6365-F	4.92	3.94	3.54	3.78 × 3.46	3.78 × 3.46	4.17 × 2.56
MC001864	MCRL6435-F	5.91	3.94	2.36	4.72 × 3.54	4.72 × 3.54	5.2 × 2.36
-	MCRL6465-F	5.91	3.94	3.54	4.72 × 3.54	4.72 × 3.54	5.2 × 2.36
-	MCRL6555-F	6.89	4.92	2.76	5.59 × 4.53	5.59 × 4.53	6.06 × 2.76
MC001867	MCRL6585-F	6.89	4.92	3.94	5.59 × 4.53	5.59 × 4.41	6.06 × 2.76
-	MCRL6655-F	7.87	5.91	2.76	6.5 × 5.31	6.5 × 5.31	7.01 × 3.94
-	MCRL6685-F	7.87	5.91	3.94	6.5 × 5.31	6.5 × 5.31	7.01 × 3.94

Dimensions : Inches

Important Notice : This data sheet and its contents (the "Information") belong to the members of the AVNET group of companies (the "Group") or are licensed to it. No licence is granted for the use of it other than for information purposes in connection with the products to which it relates. No licence of any intellectual property rights is granted. The Information is subject to change without notice and replaces all data sheets previously supplied. The Information supplied is believed to be accurate but the Group assumes no responsibility for its accuracy or completeness, any error in or omission from it or for any use made of it. Users of this data sheet should check for themselves the Information and the suitability of the products for their purpose and not make any assumptions based on information included or omitted. Liability for loss or damage resulting from any reliance on the Information or use of it (including liability resulting from negligence or where the Group was aware of the possibility of such loss or damage arising) is excluded. This will not operate to limit or restrict the Group's liability for death or personal injury resulting from its negligence. Multicomp Pro is the registered trademark of Premier Farnell Limited 2019.

Newark.com/multicomp-pro
 Farnell.com/multicomp-pro
 Element14.com/multicomp-pro

