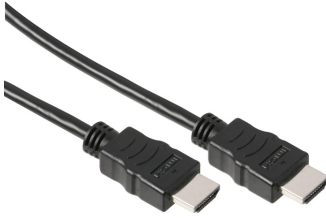


High Speed 4K UHD HDMI Lead Male to Male

pro-SIGNAL

RoHS
Compliant



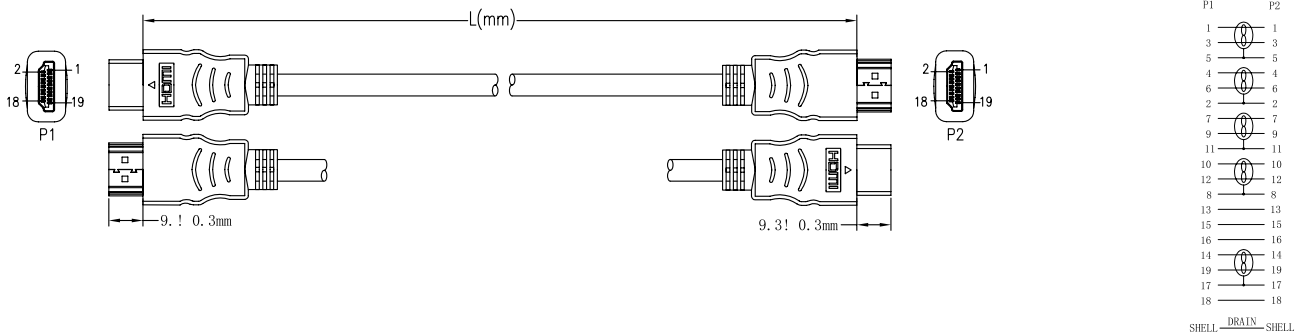
Description

High quality HDMI cable for digital device connections. Built to 1.4 specification with moulded plugs and strain relief.

Specifications

Connector Type A	: HDMI Plug
Connector Type B	: HDMI Plug
Conductor Resistance	: 5Ω Max.
Insulation Resistance	: 10MΩ Min.
Jacket Colour	: Black

Diagram



Material

- HDMI Cable: {[7/0.10BCx1P+D(7/0.10BC)+AM+M]x5PCS+7/0.10BCx4C}+AM +D(7/0.10BC)+B(16/8/0.12ALM)+Black PVC Jacket.
OD: Ø6 ±0.2mm
- HDMI Type A Male : Black Insulation, Gold Plated Contacts, Nickel Plated Shell.
- All Hood : Molded Black PVC.

Part Number Table

Description	"L"	Part Number
High Speed 4K UHD HDMI Lead, Male to Male, Black	500 ±30mm	PSG03536
	1000 ±50mm	PSG03537
	2000 ±50mm	PSG03538
	3000 ±70mm	PSG03539

Dimensions : Millimetres

Important Notice : This data sheet and its contents (the "Information") belong to the members of the AVNET group of companies (the "Group") or are licensed to it. No licence is granted for the use of it other than for information purposes in connection with the products to which it relates. No licence of any intellectual property rights is granted. The Information is subject to change without notice and replaces all data sheets previously supplied. The Information supplied is believed to be accurate but the Group assumes no responsibility for its accuracy or completeness, any error in or omission from it or for any use made of it. Users of this data sheet should check for themselves the Information and the suitability of the products for their purpose and not make any assumptions based on information included or omitted. Liability for loss or damage resulting from any reliance on the Information or use of it (including liability resulting from negligence or where the Group was aware of the possibility of such loss or damage arising) is excluded. This will not operate to limit or restrict the Group's liability for death or personal injury resulting from its negligence. pro-SIGNAL is the registered trademark of Premier Farnell Limited 2019.

Newark.com/exclusive-brands
Farnell.com/exclusive-brands
Element14.com/exclusive-brands

pro-SIGNAL