

Compact Start Delta Starter with Isolator

multicomp PRO

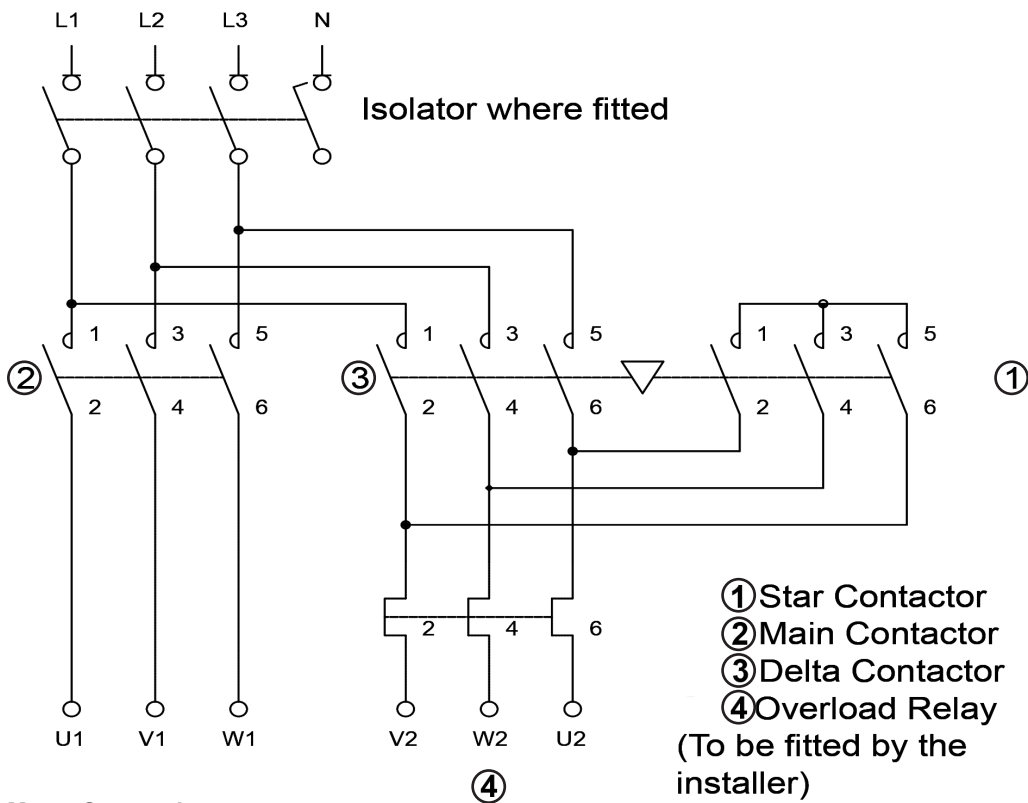


Description

A Star Delta Starter is a type of reduced voltage starter and is generally used on larger 3 phase electric motors with dual supply voltage and 6 terminal connections. It's application is used where the motor speed is to be increased gradually up to full speed (typical applications are fans or pumps where the load is only applied at full motor speed). This type of starter also reduces the inrush current which can be up to 10-12 times the motor Full Load Current (FLC) when using a DOL. The starter consists of 3 contactors (1 main contactor, 1 star contactor and 1 delta contactor), stop button, start button in an IP54 steel enclosure. All Star Delta Starters must be fitted with a thermal overload which is supplied separately. As the overload is to be fitted to the delta contactor, the size of the thermal overload is selected by multiplying the motor Full Load Current (FLC) by 58%.

Part Number	Max. Motor Size kW @ 415V	Max. Overload Setting	Coil Voltage	Power Terminal Capacity	Control Terminal Capacity	Isolator Terminal Capacity
MCMS-SDS11N7ISOMC	11kW	13A	415V AC	6mm ²	4mm ²	10mm ²
MCMS-SDS15N7ISOMC	15kW	17A		10mm ²		
MCMS-SDS22N7ISOMC	22kW	24A		10mm ²		

415V AC 3 Phase Incoming Supply



Motor Connections

Newark.com/multicomp-pro
Farnell.com/multicomp-pro
sg.element14.com/b/multicomp-pro

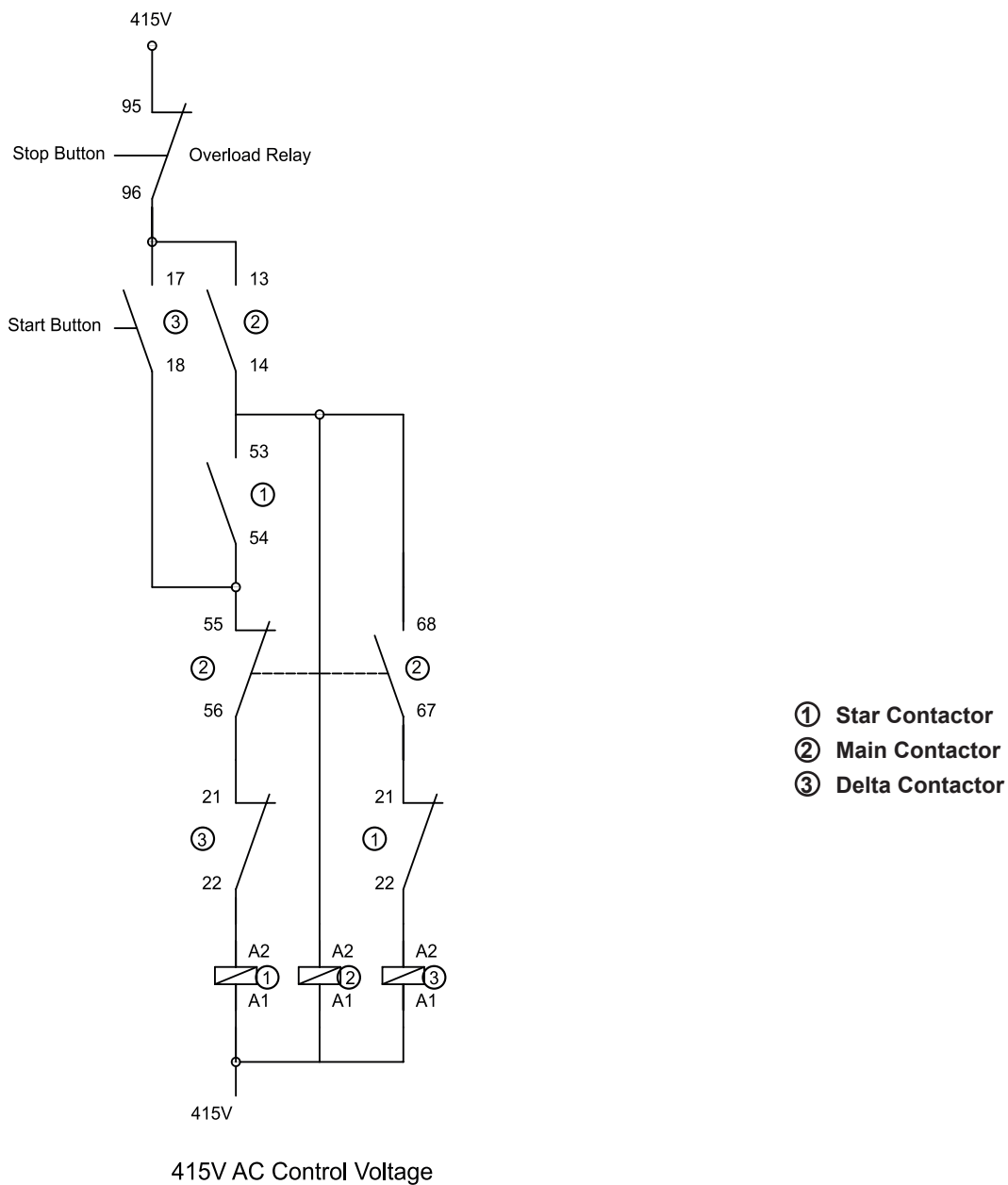
multicomp PRO

Compact Start Delta Starter with Isolator

Recommended Tightening Torque

	Power Terminals	Control Terminals
11kW	1.7Nm	1.2Nm
15kW	1.8Nm	
22kW	2.5Nm	
Isolator	1.7Nm	-

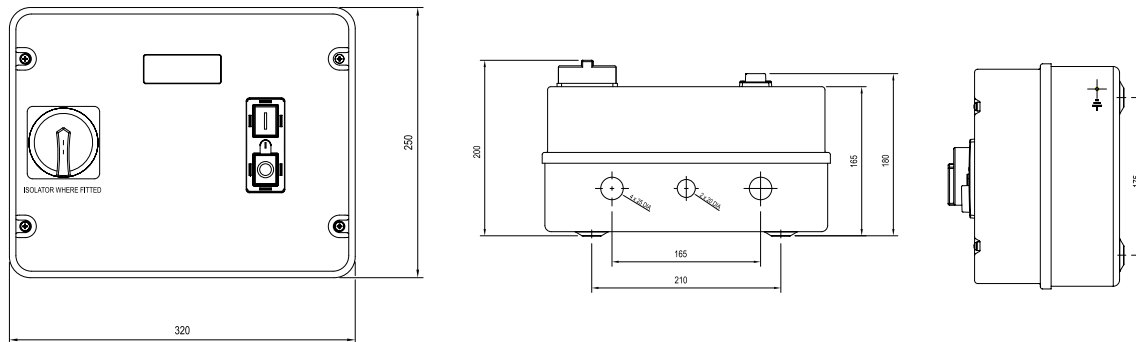
Wiring Diagram



Compact Start Delta Starter with Isolator

multicomp PRO

Dimensions



Part Number Table

Description	Part Number
Compact Start Delta Starter w/ Isolator (IP54), 11kW, 415V AC	MCMS-SDS11N7ISOMC
Compact Start Delta Starter w/ Isolator (IP54), 15kW, 415V AC	MCMS-SDS15N7ISOMC
Compact Start Delta Starter w/ Isolator (IP54), 22kW, 415V AC	MCMS-SDS22N7ISOMC

Dimensions : Millimetres

Important Notice : This data sheet and its contents (the "Information") belong to the members of the AVNET group of companies (the "Group") or are licensed to it. No licence is granted for the use of it other than for information purposes in connection with the products to which it relates. No licence of any intellectual property rights is granted. The Information is subject to change without notice and replaces all data sheets previously supplied. The Information supplied is believed to be accurate but the Group assumes no responsibility for its accuracy or completeness, any error in or omission from it or for any use made of it. Users of this data sheet should check for themselves the Information and the suitability of the products for their purpose and not make any assumptions based on information included or omitted. Liability for loss or damage resulting from any reliance on the Information or use of it (including liability resulting from negligence or where the Group was aware of the possibility of such loss or damage arising) is excluded. This will not operate to limit or restrict the Group's liability for death or personal injury resulting from its negligence. Multicomp Pro is the registered trademark of Premier Farnell Limited 2019.

Newark.com/multicomp-pro
Farnell.com/multicomp-pro
sg.element14.com/b/multicomp-pro

multicomp PRO