



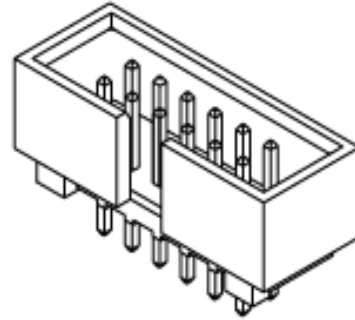
Part Number : [702462402](#)

Product Description : 2.54mm Pitch C-Grid Header, Low Profile, Dual Row, Vertical, Shrouded, 24 Circuits, 0.76µm Gold (Au) Selective Plating, Tin (Sn) PC Tail Plating

Series Number : 70246

Status : Active

Product Category : PCB Headers and Receptacles



Documents & Resources

Drawings

[Drawing 702462402_sd.pdf](#)

[Packaging Design Drawing PK-87835-001-001.pdf](#)

3D Models and Design Files

[3D Model 702462402_stp.zip](#)


Specifications

[Application Specification 713080001-AS-000.pdf](#)

[Product Specification PS-70246-100-001.pdf](#)

Product Environment Compliance

Compliance

GADSL/IMDS	Compliant with Exemption 44; 34; 33
China RoHS	
EU ELV	Not Relevant
Low-Halogen Status	Not Low-Halogen per IEC 61249-2-21
REACH SVHC	Not Contained per D(2023)3788-DC (14 Jun 2023)
EU RoHS	Compliant per EU 2015/863

Multiple Part Product Compliance Statements

- Eu RoHS
- REACH SVHC
- Low-Halogen

Multiple Part Industry Compliance Documents

- IPC 1752A Class C
- IPC 1752A Class D
- Molex Product Compliance Declaration
- IEC-62474
- chemSHERPA (xml)

EU RoHS Certificate of Compliance

Part Details

General

Status	Active
Category	PCB Headers and Receptacles
Series	70246
Description	2.54mm Pitch C-Grid Header, Low Profile, Dual Row, Vertical, Shrouded, 24 Circuits, 0.76µm Gold (Au) Selective Plating, Tin (Sn) PC Tail Plating
Application	Signal, Wire-to-Board
Component Type	PCB Header
Product Family	C-Grid Connector Products
Product Name	C-Grid
UPC	822348487455

Agency

CSA	LR19980
UL	E29179

Electrical

Current - Maximum per Contact	2.5A
Voltage - Maximum	250V DC

Physical

Breakaway	No
Circuits (Loaded)	24
Circuits (maximum)	24
First Mate / Last Break	No

Flammability	94V-0
Glow-Wire Capable	No
Guide to Mating Part	No
Keying to Mating Part	None
Lock to Mating Part	None
Material - Plating Mating	Gold
Material - Plating Termination	Tin
Net Weight	2.966/g
Number of Rows	2
Orientation	Vertical
Packaging Type	Tray
PC Tail Length	3.43mm
PCB Locator	No
PCB Retention	None
PCB Thickness - Recommended	1.60mm
Pitch - Mating Interface	2.54mm
Pitch - Termination Interface	2.54mm
Plating min - Mating	0.762µm
Plating min - Termination	1.905µm
Polarized to Mating Part	Center Slot
Polarized to PCB	No
Shrouded	Fully
Stackable	No
Temperature Range - Operating	-55° to +120°C
Termination Interface Style	Through Hole

Solder Process Data

Max-Duration	10
Lead-Free Process Capability	WAVE
Max-Cycle	1
Max-Temp	235

Mates With / Use With

Mates with Part(s)

Description	Part Number
C-Grid Vertical, Dual Row, High Profile, Surface Mount PCB Connectors	<u>71395</u>
C-Grid Vertical, Dual Row, High Profile, Through Hole PCB Receptacles	<u>71850</u>
SL Dual Row Crimp Housings	<u>70450</u>

This document was generated on Sep 26, 2023