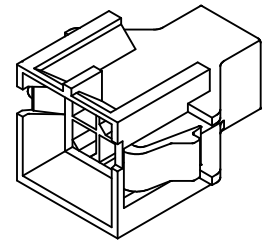
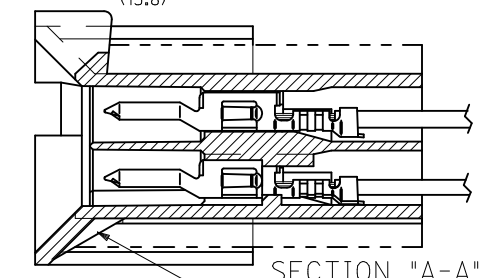


42475-***1
MOUNTING EAR DESIGN "A"
(SEE NOTE 9)

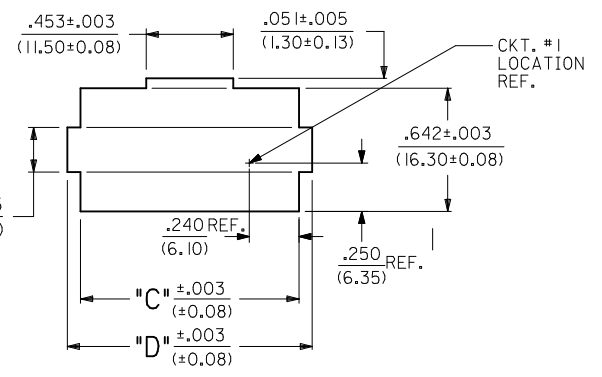


42475-***1
MOUNTING EAR DESIGN "B"
(SEE NOTE 9)



SECTION "A-A"
TERMINAL ORIENTATION

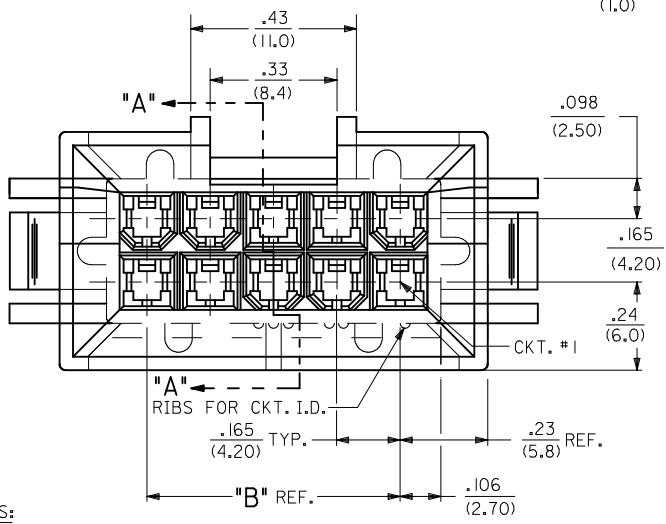
SEE NOTE #13



RECOMMENDED CUT-OUT FOR .063/(1.60)
MAX. THICK P.C. BOARD. (6-24 CKT.'S.)

SCALE: 2X

CIRCUIT SIZE	DIM. "A"	DIM. "B"	DIM. "C"	DIM. "D"
6	.54 (13.8)	.33 (8.4)	.807 (20.50)	.945 (24.00)
8	.71 (18.0)	.50 (12.6)	.972 (24.70)	1.110 (28.20)
10	.87 (22.2)	.66 (16.8)	1.138 (28.90)	1.276 (32.40)
12	1.04 (26.4)	.83 (21.0)	1.303 (33.10)	1.441 (36.60)
14	1.20 (30.6)	.99 (25.2)	1.469 (37.30)	1.606 (40.80)
16	1.37 (34.8)	1.16 (29.4)	1.643 (41.50)	1.772 (45.00)
18	1.54 (39.0)	1.32 (33.6)	1.799 (45.70)	1.937 (49.20)
20	1.70 (43.2)	1.49 (37.8)	1.965 (49.90)	2.102 (53.40)
22	1.87 (47.4)	1.65 (42.0)	2.130 (54.10)	2.268 (57.60)
24	2.03 (51.6)	1.82 (46.2)	2.295 (58.30)	2.433 (61.80)



NOTES:

- 1) MATERIAL:
 - 1 = NYLON (PA6/6), UNFILLED, UL94 V-2, COLOR: NATURAL
 - 2 = NYLON (PA6/6), UNFILLED, UL94 V-0, COLOR: NATURAL
 - 3 = NYLON (PA6/6), UNFILLED, UL94 V-2, COLOR: BLACK
 - 4 = NYLON (PA6/6), UNFILLED, UL94 V-0, COLOR: BLACK
- 2) FINISH NOT APPLICABLE.
- 3) THIS PART CONFORMS TO MOLEX PRODUCT SPEC. NO. PS-5556-002.
- 4) PACKAGING: PK-42474-001
- 5) 6-24 CKT. PARTS MATE WITH MOLEX RECEPTACLES 5557, 42385 AND 42474. 2 AND 4 CKT. PARTS MATE WITH 42385 AND 42474 ONLY.
- 6) PART IS FOR USE WITH MALE TERMINAL #5558.
- 7) PART ALLOWS FOR UP TO .100/(2.54) MISALIGNMENT WITH MATING RECEPTACLE IN ANY DIRECTION. SEE MATING CONNECTOR DRAWINGS FOR SPECIFIC ALLOWANCES.
- 8) PANEL CUT-OUT TO BE PUNCHED IN THE SAME DIRECTION AS CONNECTOR INSERTION.
- 9) PARTS MANUFACTURED AFTER 95/12/31 MAY HAVE MOUNTING EAR DESIGN "B" PARTS WITH MOUNTING EAR DESIGN "A" WILL BE OBSOLETE AS TOOL LIFE DICTATES. IN SOME CASES, PARTS MAY BE AVAILABLE WITH BOTH MOUNTING EAR DESIGNS. SEE CHART ON SHEET 4 FOR SPECIFIC EAR DESIGN AVAILABILITY.

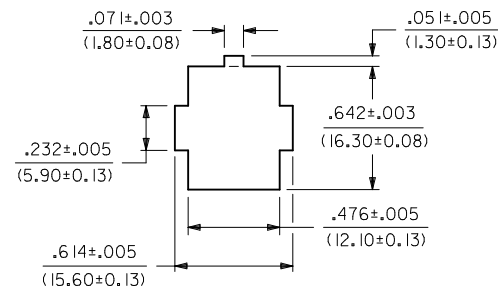
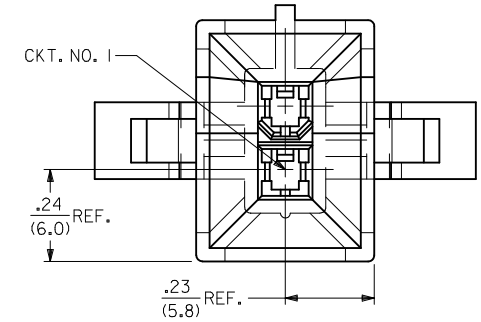
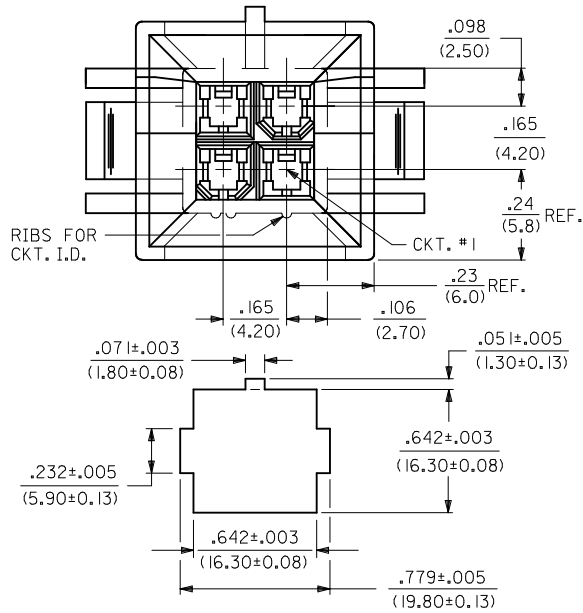
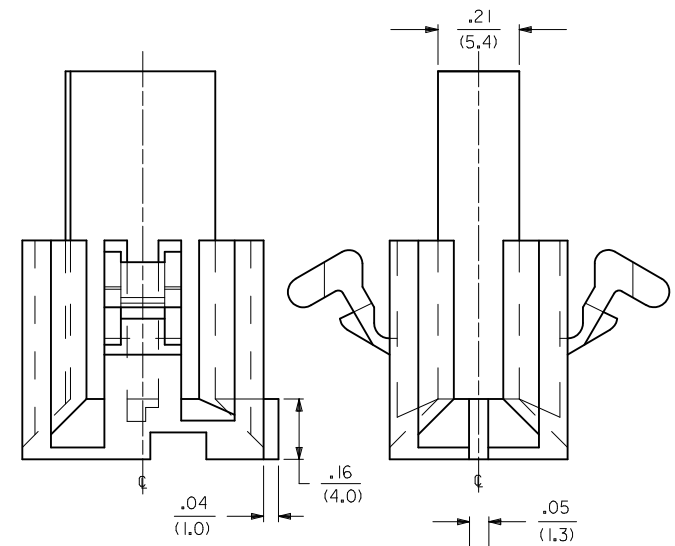
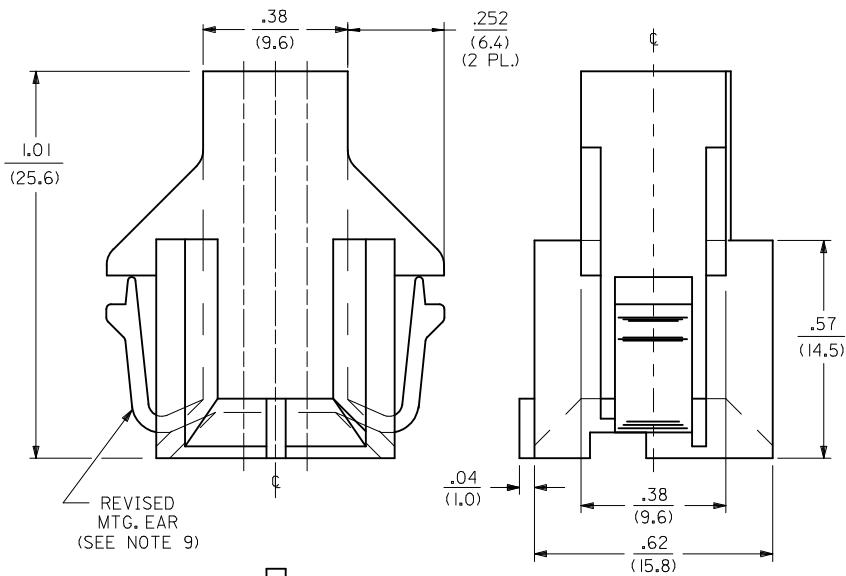
- 10) FOR MANUFACTURING EASE PARTS MAY HAVE OPTIONAL EJECTOR RIBS. SEE SHT. 3 FOR LOCATION.
- 11) DIMENSION DOES NOT INCLUDE EJECTOR RIBS (SEE PAGE #3 FOR PARTS WITH RIBS, RIB DIMENSIONS AND LOCATION).
- 12) IF THIS PRODUCT IS STORED IN AN ENVIRONMENT WITH A RELATIVE HUMIDITY OF LESS THAN 50%, MOISTURE MUST BE ADDED. REFER TO TECHNICAL ADVISORY AS-45499-001 FOR INSTRUCTIONS.
- 13) INTERIOR RIB LOCATION MAY VARY.

- 14) CONNECTOR ASSEMBLIES ARE NOT TO BE MATED OR UNMATED WHILE CIRCUITS ARE LIVE.
- 15) WIRES ARE TO BE DRESSED IN SUCH A MANNER TO ALLOW THE TERMINALS TO FLOAT FREELY IN THE POCKET.
- 16) PART CONFORMS TO CLASS "B" REQUIREMENTS OF COSMETIC SPECIFICATION PS-45499-022.

4	S1
3	S4
2	S6
1	S6
SHEET REV	

CORRECT DIM. EC NO: UCP2010-2390 DRWNG: JAGUILAR 2010/03/17 CHKD: J.BELL 2010/03/17 APPR: FSMITH 2010/03/17 S6	QUALITY SYMBOLS ▽=0 ▽=0	GENERAL TOLERANCES (UNLESS SPECIFIED) <table border="1"> <tr> <th></th> <th>mm</th> <th>INCH</th> </tr> <tr> <td>4 PLACES</td> <td>± .010</td> <td>± .0004</td> </tr> <tr> <td>3 PLACES</td> <td>± .010</td> <td>± .0004</td> </tr> <tr> <td>2 PLACES</td> <td>± 0.25</td> <td>± .010</td> </tr> <tr> <td>1 PLACE</td> <td>± 0.38</td> <td>± .015</td> </tr> </table>		mm	INCH	4 PLACES	± .010	± .0004	3 PLACES	± .010	± .0004	2 PLACES	± 0.25	± .010	1 PLACE	± 0.38	± .015	DIMENSION STYLE IN/MM	SCALE 4:1	DESIGN UNITS METRIC	THIRD ANGLE PROJECTION
		mm	INCH																		
	4 PLACES	± .010	± .0004																		
	3 PLACES	± .010	± .0004																		
2 PLACES	± 0.25	± .010																			
1 PLACE	± 0.38	± .015																			
DRAWN BY GEP	DATE 1989/07/18	CHECKED BY R.J.F.	DATE 1989/07/18	PLUG HOUSING B.M.I. 2-24 CIRCUITS MINI-FIT SERIES MOLEX INCORPORATED SD-42475-***1																	
APPROVED BY FSMITH	DATE 2010/03/17	MATERIAL NO. SEE SHEET 4					DOCUMENT NO. SD-42475-***1	SHEET NO. 1 OF 4													
DRAFT WHERE APPLICABLE MUST REMAIN WITHIN DIMENSIONS			SIZE C	THIS DRAWING CONTAINS INFORMATION THAT IS PROPRIETARY TO MOLEX INCORPORATED AND SHOULD NOT BE USED WITHOUT WRITTEN PERMISSION																	

SEE SHEET 2 FOR 2 & 4 CKT. PARTS



RECOMMENDED CUT-OUT FOR .063/(1.60)
MAX. THICK P.C. BOARD. #1 (2 CKT'S.)

SCALE: 2X

2 CKT.

RECOMMENDED CUT-OUT FOR .063/(1.60)
MAX. THICK P.C. BOARD. (4 CKT'S.)

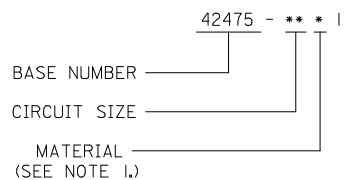
SCALE: 2X

4 CKT.

CORRECTED 6.4 DIM. EC NO: UCP2010-2390 DRWN: JAGUILAR 2010/03/17 CHKD: J BELL 2010/03/17 APPR: FSMITH 2010/03/17 S6	QUALITY SYMBOLS ▽=0 ▽=0	GENERAL TOLERANCES (UNLESS SPECIFIED)		DIMENSION STYLE IN/MM		SCALE 4:1	DESIGN UNITS METRIC	THIRD ANGLE PROJECTION	
				DRAWN BY GEP	DATE 1989/07/18	TITLE PLUG HOUSING B.M.I. 2-24 CIRCUITS MINI-FIT SERIES			
				CHECKED BY RJF	DATE 1989/07/18				
				APPROVED BY FSMITH	DATE 2010/03/17				
		ANGULAR ± 5 °		MATERIAL NO. SEE SHEET 4		DOCUMENT NO. SD-42475-***1		SHEET NO. 2 OF 4	
		DRAFT WHERE APPLICABLE MUST REMAIN WITHIN DIMENSIONS		THIS DRAWING CONTAINS INFORMATION THAT IS PROPRIETARY TO MOLEX INCORPORATED AND SHOULD NOT BE USED WITHOUT WRITTEN PERMISSION					

	13	12	11	10	9	8	7	6	5	4	3	2	1		
	PART NUMBER	ENG. NUMBER	CKT. SIZE	MATERIAL (SEE NOTE 1.)	PART NUMBER	CKT. SIZE	MATERIAL (SEE NOTE 1.)	MOUNTING EAR TYPE							
								CKT. SIZE	DESIGN A, DESIGN B (SEE SHEET I)						
J	NOT TOOLED	42475-0211	2	I						42475-***2I, 5558-GS*	42474-***2I, 5556-PBGS*P	94V-0	PHOS. BRZ.	GOLD	
										42475-***1I, 5558-GS*	42474-***1I, 5556-PBGS*P	94V-2			
										42475-***2I, 5558-GS*	42474-***2I, 5556-GS*P	94V-0	BRASS	GOLD	
										42475-***1I, 5558-GS*	42474-***1I, 5556-GS*P	94V-2			
	15-06-0045	42475-0411	4	↑	42475-0431	4	↑	2	N/A	42475-***2I, 5558-PBS*	42474-***2I, 5556-PBS*P	94V-0	PHOS. BRZ.	TIN	
										42475-***1I, 5558-PBS*	42474-***1I, 5556-PBS*P	94V-2			
	15-06-0065	42475-0611	6		42475-0631	6		4	B	42475-***2I, 5558-S*	42474-***2I, 5556-S*P	94V-0	BRASS	TIN	
										42475-***1I, 5558-S*	42474-***1I, 5556-S*P	94V-2			
	15-06-0085	42475-0811	8		42475-0831	8		6	B	42475-***2I, 5558-GS*	A-42385-***D2	94V-0	PHOS. BRZ.	GOLD	
I										42475-***1I, 5558-GS*	A-42385-***C2	94V-2			
	15-06-0105	42475-1011	10		42475-1031	10		8	A	42475-***2I, 5558-GS*	A-42385-***B2	94V-0	BRASS	GOLD	
										42475-***1I, 5558-GS*	A-42385-***A2	94V-2			
	NOT TOOLED	42475-1211	12			12		10	B	42475-***2I, 5558-PBS*	A-42385-***D1	94V-0	PHOS. BRZ.	TIN	
										42475-***1I, 5558-PBS*	A-42385-***C1	94V-2			
	15-06-0145	42475-1411	14		42475-1431	14		12	N/A	42475-***2I, 5558-S*	A-42385-***B1	94V-0	BRASS	TIN	
										42475-***1I, 5558-S*	A-42385-***A1	94V-2			
	NOT TOOLED	42475-1611	16			16		14	B	PLUG HOUSING/ MALE TERMINAL		MATING CONNECTOR	HSG. MAT'L.	TERM. MAT'L.	PLATING
H												MATING CONNECTOR FEATURES			
	15-06-0185	42475-1811	18		42475-1831	18		16	N/A						
	15-06-0205	42475-2011	20		42475-2031	20		18	A & B						
	NOT TOOLED	42475-2211	22	↓		22	↓	20	A						
	15-06-0245	42475-2411	24	I	42475-2431	24	3	22	N/A						
G															
								24	B						
	NOT TOOLED	42475-0221	2	2		2	4								
	15-06-0046	42475-0421	4	↑	42475-0441	4	↑								
	15-06-0066	42475-0621	6			6									
F															
	50-36-2323	42475-0821	8			8									
	15-06-0106	42475-1021	10		42475-1041	10									
	NOT TOOLED	42475-1221	12			12									
	15-06-0146	42475-1421	14		42475-1441	14									
	NOT TOOLED	42475-1621	16			16									
E															
	15-06-0186	42475-1821	18		42475-1841	18									
	15-06-0206	42475-2021	20		42475-2041	20									
	NOT TOOLED	42475-2221	22	↓		22	↓								
	15-06-0246	42475-2421	24	2	42475-2441	24	4								
D															

LEGEND:



ADDED 50362323 EC NO: UCP2009-0892 DRWN:KLOSTNER 2008/10/09 CHKD:JBELL 2008/10/14 APPR:FSMITH 2008/10/15	QUALITY SYMBOLS	GENERAL TOLERANCES (UNLESS SPECIFIED)	DIMENSION STYLE	SCALE	DESIGN UNITS	THIRD ANGLE PROJECTION																													
	$\nabla=0$ $\nabla=0$	<table border="1"> <tr> <th></th> <th>mm</th> <th>INCH</th> </tr> <tr> <td>4 PLACES</td> <td>\pm ---</td> <td>\pm ---</td> </tr> <tr> <td>3 PLACES</td> <td>\pm ---</td> <td>\pm .010</td> </tr> <tr> <td>2 PLACES</td> <td>\pm 0.25</td> <td>\pm .015</td> </tr> <tr> <td>1 PLACE</td> <td>\pm 0.38</td> <td>\pm ---</td> </tr> </table>		mm	INCH	4 PLACES	\pm ---	\pm ---	3 PLACES	\pm ---	\pm .010	2 PLACES	\pm 0.25	\pm .015	1 PLACE	\pm 0.38	\pm ---	<table border="1"> <tr> <th colspan="2">IN/MM</th> </tr> <tr> <td>DRAWN BY</td> <td>DATE</td> </tr> <tr> <td>GEP</td> <td>1989/07/18</td> </tr> <tr> <td>CHECKED BY</td> <td>DATE</td> </tr> <tr> <td>RJF</td> <td>1989/07/18</td> </tr> <tr> <td>APPROVED BY</td> <td>DATE</td> </tr> <tr> <td>RAS</td> <td>1989/07/18</td> </tr> </table>	IN/MM		DRAWN BY	DATE	GEP	1989/07/18	CHECKED BY	DATE	RJF	1989/07/18	APPROVED BY	DATE	RAS	1989/07/18	4:1	METRIC	
		mm	INCH																																
	4 PLACES	\pm ---	\pm ---																																
3 PLACES	\pm ---	\pm .010																																	
2 PLACES	\pm 0.25	\pm .015																																	
1 PLACE	\pm 0.38	\pm ---																																	
IN/MM																																			
DRAWN BY	DATE																																		
GEP	1989/07/18																																		
CHECKED BY	DATE																																		
RJF	1989/07/18																																		
APPROVED BY	DATE																																		
RAS	1989/07/18																																		
DRAFT WHERE APPLICABLE MUST REMAIN WITHIN DIMENSIONS	MATERIAL NO. SEE CHART	TITLE PLUG HOUSING B.M.I. 2-24 CIRCUITS, MINI-FIT SERIES	MOLEX INCORPORATED	DOCUMENT NO. SD-42475-***1	SHEET NO. 4 OF 4																														
S1	SIZE 	THIS DRAWING CONTAINS INFORMATION THAT IS PROPRIETARY TO MOLEX INCORPORATED AND SHOULD NOT BE USED WITHOUT WRITTEN PERMISSION																																	