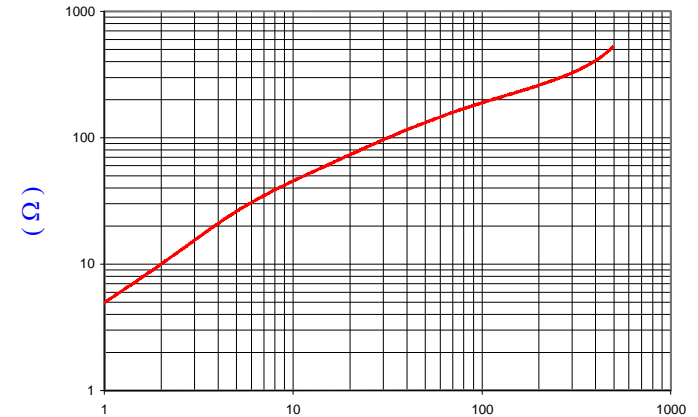


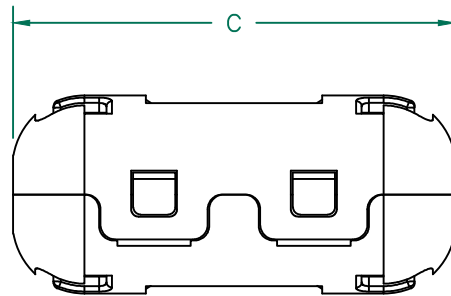
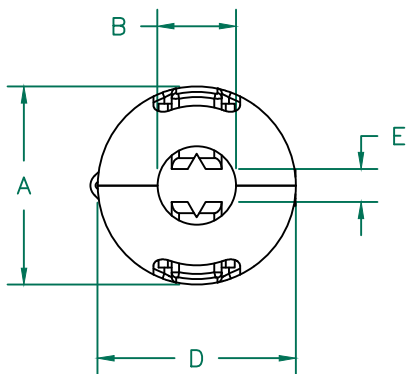
IMPEDANCE (Z)			
Frequency	25 MHz	100 MHz	300 MHz
Nominal (REF)	75 Ω	170 Ω	320 Ω
Minimum	- Ω	136 Ω	- Ω

Z vs. FREQUENCY
(REF. ONLY)



FERRITE CORE DIMENSIONS:

A	9.96 [.392]	\pm	0.15 [.006]
B	4.88 [.192]	\pm	0.13 [.005]
C	20.50 [.807]	\pm	0.25 [.010]
D	4.14 [.163]	\pm	0.13 [.005]



FREQUENCY (MHz)

AGILENT E4991A Impedance/Material Analyzer
HP 16092A-Test Fixture REF 3219

NOTES:

1. ASSEMBLED PART #: 28A0392-0A2
2. CASE COLOR: BLACK
3. CASE FLAMMABILITY RATING: UL94 V-2.
4. CASE MATERIAL: Halogen Free Nylon
5. COSMETIC SPECIFICATION REFER TO WI-QA-038.

CASE DIMENSIONS:

A	13.72 [.540]	\pm	REF.
B	5.44 [.214]	\pm	REF.
C	30.56 [1.203]	\pm	REF.
D	13.72 [.540]	\pm	REF.
E	2.29 [.090]	\pm	REF.

DIMENSIONS ARE IN mm [INCHES].				This print is the property of Laird Tech. and is loaned in confidence subject to return upon request and with the understanding that no copies shall be made without the written consent of Laird Tech. All rights to design or invention are reserved.				
REV	DESCRIPTION	DATE	INT					PROJECT/PART NUMBER:
K	UPDATE COMPANY LOGO, ADD NOTE 5	08/21/14	QIU	28A0392-0A2		K	FERRITE SNAP ON	JRK
J	UPDATED NOTE 3	09/15/10	JUN	DATE: 06/25/04		SCALE:	NTS	MATERIAL:
H	UPDATE LOGO ADD NOTES 3&4	01/26/09	JRK	CAD # 28A0392-0A2-K		TOOL #	-	Ferrite
G	UPDATE 100MHz MINIMUM VALUE	06/26/07	TMB					
F	UPDATE COMPANY LOGO	04/17/07	TMB					
E	ADD DIMENSION E TO CASE CALLOUT	02/05/07	TMB					
D	CHANGE CASE TOLERANCES TO REF REMOVE CORE & CASE REF REVISE NOTES	07/27/06	TMB					
C	UPDATE CORE AND CASE DESIGN REVISE NOTES	09/23/05	TMB					
REV	DESCRIPTION	DATE	INT					