

START

1 Resistor - Weerstand - Résistance - Widerstand - Resistencia - Motstand - Vastus - Resistenze

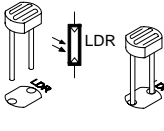
◇ R1,R2, R4,R5: 100

(Brown, Black, Brown) -(Bruin, Zwart, Bruin) -(Brun, noir, Brun) -(Braun, Schwarz, Braun) -(Brun, Svart, Brun) -(Ruskea, Musta, Ruskea) -(Marrón, Negro, Marrón) -(Castanho, Preto, Castanho) -(Marrone, Nero, Marrone)

◇ R3,R6: 220

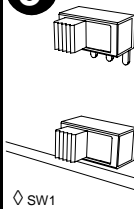
(Red, Red, Brown) -(Rood, Rood, Bruin) -(Rouge, Rouge, Brun) -(Rot, Rot, Braun) -(Röd, Röd, Brun) -(Punainen, Punainen, Ruskea) -(Rojo, Rojo, Marrón) -(Encarnado, Encarnado, Castanho) -(Rosso, Rosso, Marrone)

2 LDR



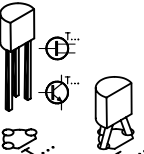
◇ LDR1
◇ LDR2

3 SWITCH



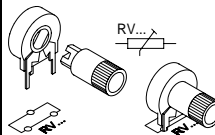
◇ SW1

4 TRANSISTOR



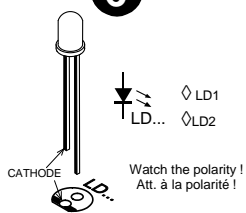
◇ T1 : BC547C
◇ T2 : BC557C
◇ T3 : BC547C
◇ T4 : BC557C

5 RESISTOR TRIMMER



◇ RV1 10K
◇ RV2 10K

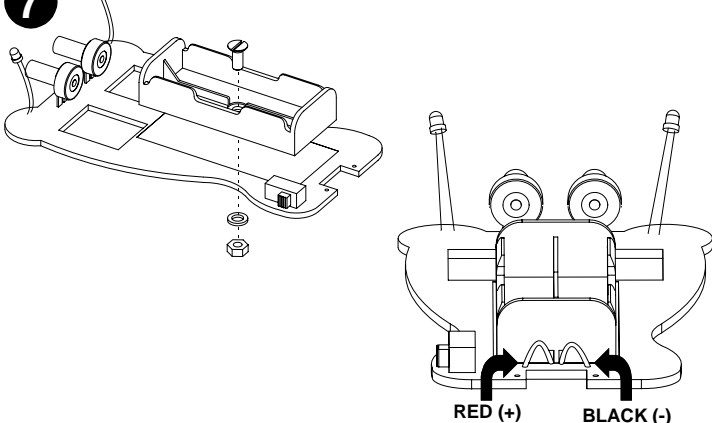
6 LED



◇ LD1
◇ LD2

Watch the polarity!
Att. à la polarité!

7 BATTERY HOLDER



DIAGRAM

