

- 1
- 2
- 3
- 4
- 5
- 6
- 7
- 8
- 9
- 10
- 11
- 12
- 13
- 14
- 15
- 16
- 17
- 18

**MATERIAL**

Die cast zinc alloy, epoxy resin coating, black colour RAL 9005 (**SW**) or grey colour RAL 9006 (**SR**), matte finish.

**PACKING RING**

NBR synthetic rubber, black colour, glued to the handle body.

**SCREWS (ONLY FOR GN 7330-A)**

AISI 304 stainless steel with countersunk flat head, with polyamide coating in the underhead.

**IP PROTECTION**

Degree of protection IP 66 in accordance with EN 60529 table (on page A-19).  
(only for executions with packing ring).

**STANDARD EXECUTIONS**

Front mounting by means of pass-through holes for M5 countersunk flat head screws, included in the supply:

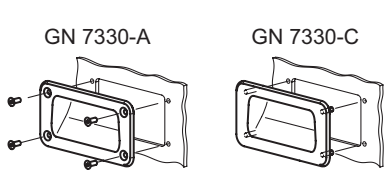
- **GN 7330-A-1**: without gasket.
- **GN 7330-A-2**: with packing ring.

Rear mounting by means of 4 M5 screws welded to the handle body:

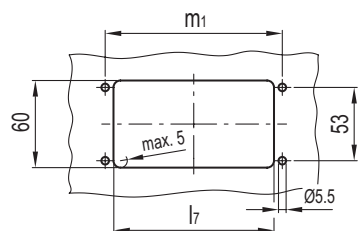
- **GN 7330-C-1**: without gasket.
- **GN 7330-C-2**: with packing ring.

**ASSEMBLY INSTRUCTIONS**

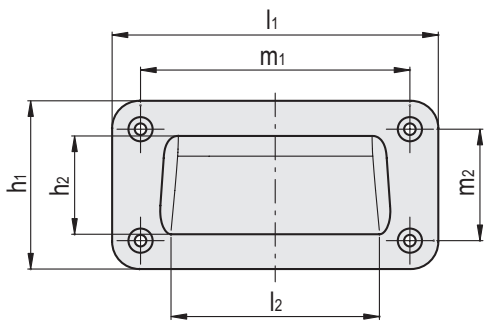
Drill the handle housing according to the template dimensions.



Drilling template

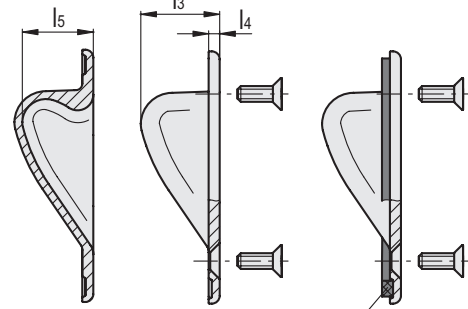


	l7	m1
GN 7330-127	88 <sup>+1</sup>	100
GN 7330-155	115 <sup>+1</sup>	128



GN 7330-A-1

GN 7330-A-2



■ SW RAL9005    ■ SR RAL9006

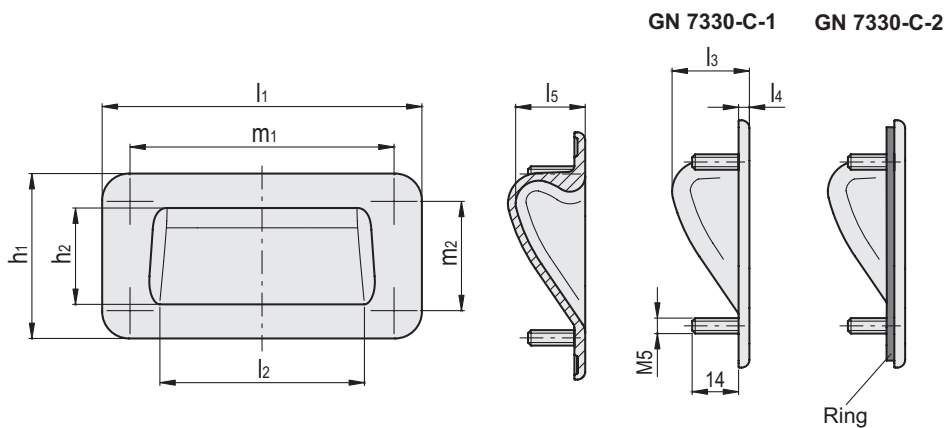
**GN 7330-A-1**

Code	Description	l1	l2	l3	l4	l5	h1	h2	m1	m2	⚖
GN.30352	GN 7330-127-A-1-SW	127	72	25	3.5	22.5	80	43	100	53	247
GN.30372	GN 7330-155-A-1-SW	155	99	25	3.5	22.5	80	43	128	53	290
GN.30351	GN 7330-127-A-1-SR	127	72	25	3.5	22.5	80	43	100	53	234
GN.30371	GN 7330-155-A-1-SR	155	99	25	3.5	22.5	80	43	128	53	288

**GN 7330-A-2**

Code	Description	l1	l2	l3	l4	l5	h1	h2	m1	m2	⚖
GN.30354	GN 7330-127-A-2-SW	127	72	25	3.5	22.5	80	43	100	53	252
GN.30374	GN 7330-155-A-2-SW	155	99	25	3.5	22.5	80	43	128	53	300
GN.30353	GN 7330-127-A-2-SR	127	72	25	3.5	22.5	80	43	100	53	250
GN.30373	GN 7330-155-A-2-SR	155	99	25	3.5	22.5	80	43	128	53	325

Handles

**GN 7330-C-1**

Code	Description	l1	l2	l3	l4	l5	h1	h2	m1	m2	△
GN.30356	GN 7330-127-C-1-SW	127	72	25	3.5	22.5	80	43	100	53	249
GN.30376	GN 7330-155-C-1-SW	155	99	25	3.5	22.5	80	43	128	53	312
GN.30355	GN 7330-127-C-1-SR	127	72	25	3.5	22.5	80	43	100	53	246
GN.30375	GN 7330-155-C-1-SR	155	99	25	3.5	22.5	80	43	128	53	311

**GN 7330-C-2**

Code	Description	l1	l2	l3	l4	l5	h1	h2	m1	m2	△
GN.30358	GN 7330-127-C-2-SW	127	72	25	3.5	22.5	80	43	100	53	249
GN.30378	GN 7330-155-C-2-SW	155	99	25	3.5	22.5	80	43	128	53	317
GN.30357	GN 7330-127-C-2-SR	127	72	25	3.5	22.5	80	43	100	53	260
GN.30377	GN 7330-155-C-2-SR	155	99	25	3.5	22.5	80	43	128	53	316