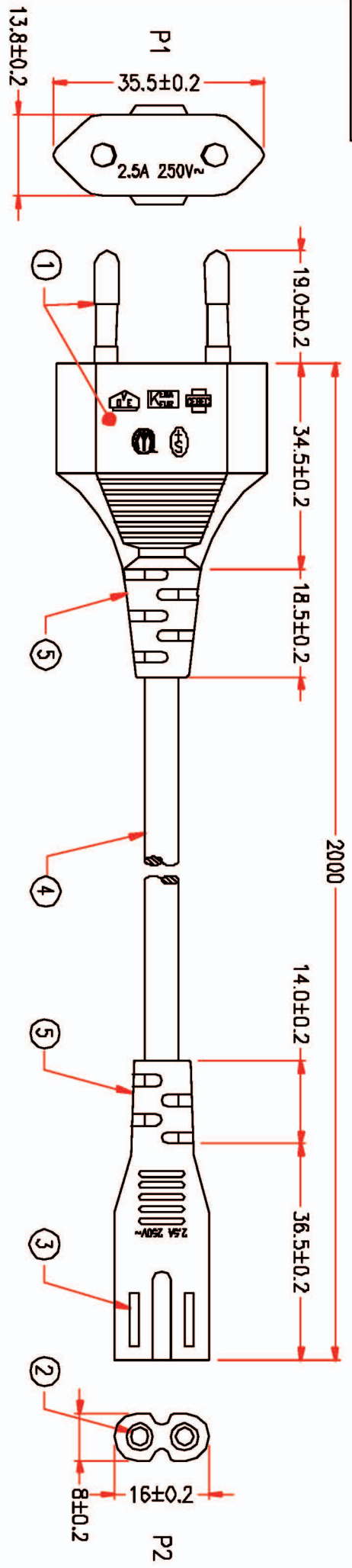


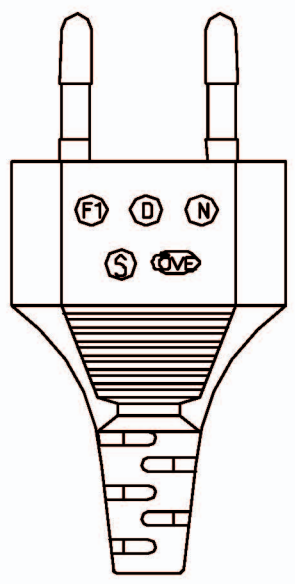
P1: M-009  
P2: M-002

REV.2 2005.03.03

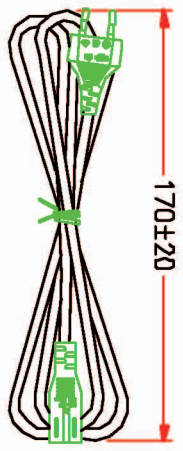


PLUG: 201

CONNECTOR: 103

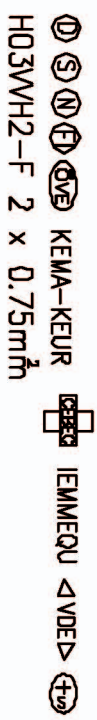


Note: THIS CABLE MEET "ROHS" REGULATION



5	WOLDED PVC BLACK, 4SP	M304
4	H03WH2-F 2*0.75mm <sup>2</sup> , BLACK	M304
3	2.35 BRACKET: 8715	M257
2	2.35 TERMINAL: 98714PS-0	M257
1	TERMINAL: SH936	M256

MARKING:



PART NO. D025-1		Revision:	
APPROVED		Cable Length Unless Other Spec. Tolerances	
CHECKED	TIAN	0 ~0.2M	±0.01M
DRAWING	LU	0.21~1.0M	±0.02M
	ITEM NO.	1.1 ~1.5M	±0.025M
		1.51~2.1M	±0.03M
		2.1M	±0.04M

EK502.2