

4mm connectors

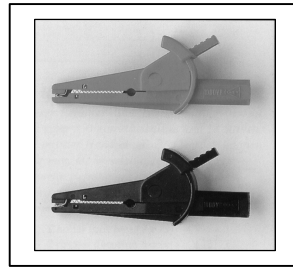
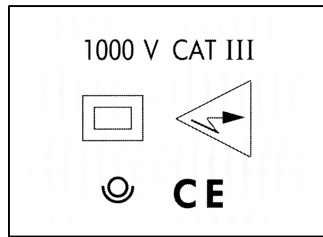
Order code	Manufacturer code	Description
17-0362	5004IEC NR	BLACK SHROUDED CROCODILE CLIP
17-0367	5004IEC RG	RED SHROUDED CROCODILE CLIP
17-0369	5004IEC J/V	GREEN/YELLOW CROCODILE CLIP

4mm connectors	Page 1 of 2
The enclosed information is believed to be correct, Information may change 'without notice' due to product improvement. Users should ensure that the product is suitable for their use. E. & O. E.	Revision A 04/07/2003

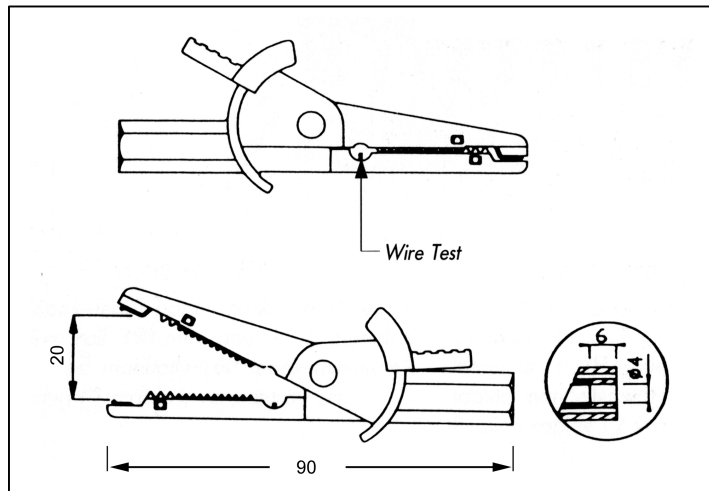
Shrouded Crocodile Clips

Electro PJP

IEC1010 Standardised



Technical Drawing



Specification

Insulator : Polyamide
 Contacts : Ni steel
 Voltage : 1000 V Test 50/60 Hz 1mn > 7400 V
 Contact resistance : < 20 mΩ
 Maximum current : 20 A

Other information

PJP Ref No.	Description	Colour
5004-IEC-N	Shrouded Crocodile Clip	Black
5004-IEC-R	Shrouded Crocodile Clip	Red
5004-IEC-J/V	Shrouded Crocodile Clip	Green/Yellow