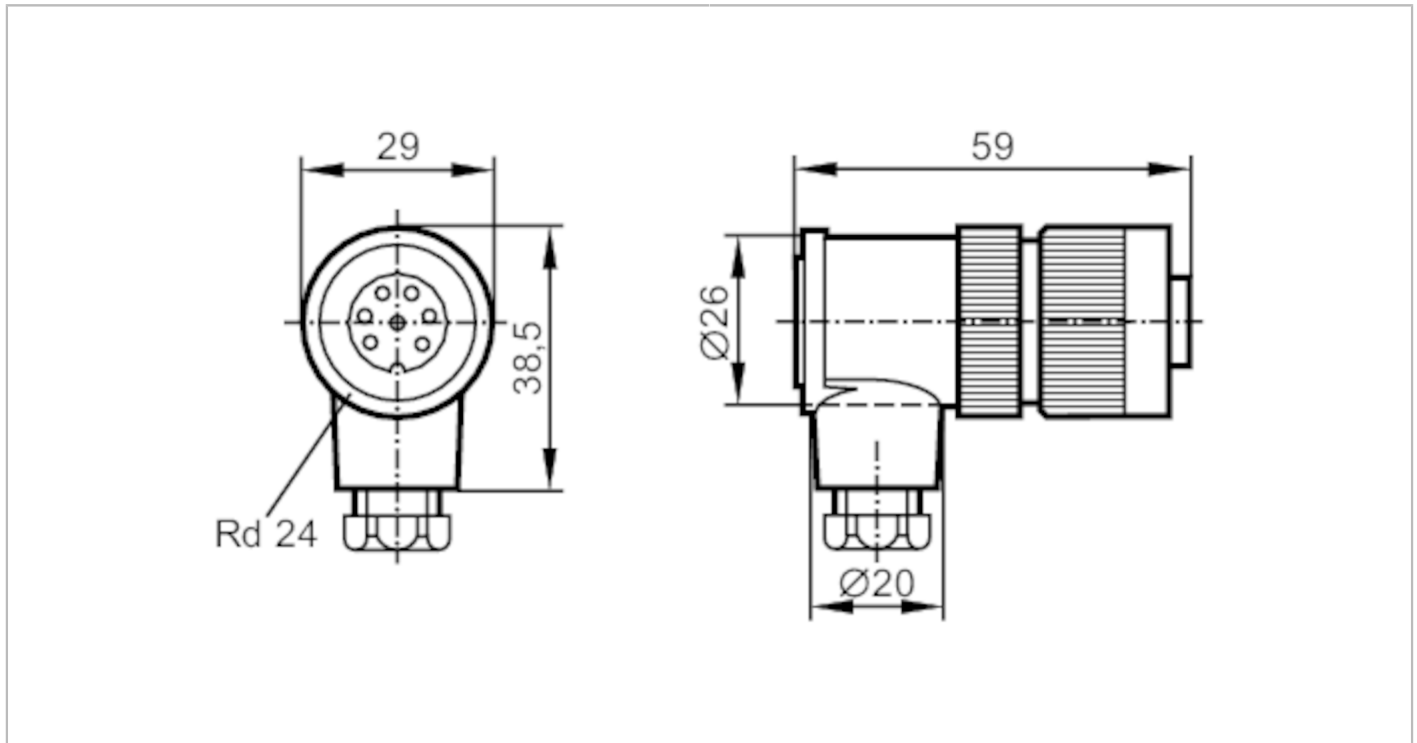


# E1004A



## Wirable socket

SDOAL070PLNFKPG/1D/1G



Application	
Special feature	Gold-plated contacts
Application	connection to certified intrinsically safe circuits
Operating conditions	
Ambient temperature [°C]	-20...80
Protection	IP 67
Tests / approvals	
Approval	BVS 05 ATEX E106
ATEX marking	$\text{Ex}$ II 1G Ex ia IIC T6 Ga $\text{Ex}$ II 1D Ex ia IIIB T85°C Da $\text{Ex}$ II 1D Ex ia IIIC T85°C Da
Mechanical data	
Weight [g]	53.5
Dimensions [mm]	59 x 29 x 38.5
Materials	PBT
Material nut	PA
Remarks	
Remarks	Ta according to table "Total power of the current circuits" in the corresponding operating instructions (safety-related part ATEX) Several intrinsically safe circuits may be connected to the sockets. The sum of the voltages of one or more intrinsically safe circuits must not exceed the following value: Utotal max = 60 V (peak value)
Pack quantity	1 pcs.

# E1004A



## Wirable socket

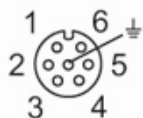
SDOAL070PLNFKPG/1D/1G

### Electrical connection

terminals: ...2.5 mm<sup>2</sup>; Cable sheath: Ø 6...8 mm

### Electrical connection - socket

Connector: 1 x Rd24, angled; Moulded body: PBT; Locking: PA; Contacts: gold-plated



### Connection

