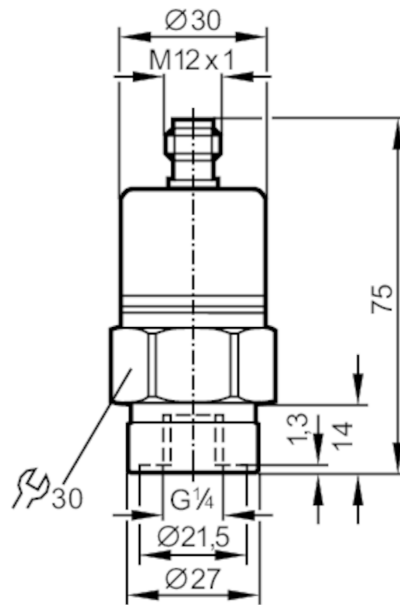


# PA3028



## Pressure transmitter with ceramic measuring cell

PA-,25BRBR14-A-ZVG/US/ IV



### Product characteristics

|                    |   |              |                 |
|--------------------|---|--------------|-----------------|
| Output signal      | analogue signal                           |              |                 |
| Measuring range    | 0...0.25 bar                              | 0...250 mbar | 0...100.3 inH2O |
| Process connection | threaded connection G 1/4 internal thread |              |                 |

### Application

|                         |                                     |             |          |
|-------------------------|-------------------------------------|-------------|----------|
| Special feature         | Gold-plated contacts                |             |          |
| Application             | for industrial applications         |             |          |
| Media                   | liquids and gases                   |             |          |
| Medium temperature [°C] | -25...90; (on request: -40...90 °C) |             |          |
| Pressure rating         | 6000 mbar                           | 2400 inH2O  | 600 kPa  |
| Min. bursting pressure  | 30000 mbar                          | 12030 inH2O | 3000 kPa |
| Type of pressure        | relative pressure                   |             |          |

### Electrical data

|                                 |                 |  |  |
|---------------------------------|-----------------|--|--|
| Operating voltage [V]           | 9.6...32 DC     |  |  |
| Min. insulation resistance [MΩ] | 100; (500 V DC) |  |  |
| Protection class                | III             |  |  |
| Reverse polarity protection     | yes             |  |  |

### Inputs / outputs

|                              |                               |  |  |
|------------------------------|-------------------------------|--|--|
| Number of inputs and outputs | Number of analogue outputs: 1 |  |  |
|------------------------------|-------------------------------|--|--|

# PA3028



## Pressure transmitter with ceramic measuring cell

PA-,25BRBR14-A-ZVG/US/ IV

| Outputs   |   |   |
|---|---|---|
| Total number of outputs                                   | 1   |   |
| Output signal   | analogue signal   |   |
| Number of analogue outputs                                | 1   |   |
| Analogue current output [mA]                              | 4...20  |   |
| Max. load [ $\Omega$ ]                                    | 720; ( $U_b = 24\text{ V}$ ; ( $U_b - 9,6\text{ V}$ ) / 20 mA)                                    |   |
| Overload protection                                       | yes   |   |
| Measuring/setting range                                   |   |   |
| Measuring range   | 0...0.25 bar    0...250 mbar    0...100.3 inH <sub>2</sub> O    0...25 kPa                        |   |
| Accuracy / deviations                                     |   |   |
| Repeatability [% of the span]                             | < 0,1; (with temperature fluctuations < 10 K)   |   |
| Characteristics deviation [% of the span]                 | < $\pm 0,25$ (BFSL) / < $\pm 0,5$ (LS); (BFSL = Best Fit Straight Line; LS = limit value setting) |   |
| Long-term stability [% of the span]                       | < $\pm 0,05$ ; (per 6 months)   |   |
| Temperature coefficient zero point [% of the span / 10 K] | 0,2; (0...80 °C)  |   |
| Temperature coefficient span [% of the span / 10 K]       | 0,3; (0...80 °C)  |   |
| Response times  |   |   |
| Step response time analogue output [ms]                   | 3   |   |
| Operating conditions                                      |   |   |
| Ambient temperature [°C]                                  | -25...80  |   |
| Storage temperature [°C]                                  | -40...100   |   |
| Protection  | IP 68; IP 69K   |   |
| Tests / approvals   |   |   |
| EMC   | EN 61000-4-2 ESD  | 4 kV CD / 8 kV AD                                 |
|   | EN 61000-4-3 HF radiated  | 30 V/m  |
|   | EN 61000-4-4 Burst  | 2 kV  |
|   | EN 61000-4-6 HF conducted   | 10 V  |
|   | radiation of interference   | according to the automotive directive 2004/104/EC |
|   | CISPR 25  |   |
|   | immunity  | according to the automotive directive 2004/104/EC |
|   | ISO 11452-2 HF radiated   | 100 V/m   |
|   | ISO 7637-2 pulse  | severity level 4                                  |
|   | Shock resistance  | DIN EN 60068-2-27                                 |
| DIN EN 61373  |   | category 3  |
| Vibration resistance                                      | DIN EN 60068-2-6  | 20 g (10...2000 Hz)                               |
|   | DIN EN 61373  | category 2  |
| MTTF [years]  | 514   |   |
| Pressure Equipment Directive                              | Sound engineering practice; can be used for group 2 fluids; group 1 fluids on request             |   |
| Railway applications                                      | DIN EN 50155 / IEC 60571  | Klasse T3, C1, S1                                 |

# PA3028



## Pressure transmitter with ceramic measuring cell

PA-,25BRBR14-A-ZVG/US/ IV

| Mechanical data               |  |
|-------------------------------|--|
| Weight [g]                    | 220  |
| Materials                     | stainless steel (1.4404 / 316L); FKM; PA; EPDM/X |
| Materials (wetted parts)      | stainless steel (1.4305 / 303); ceramics; FKM    |
| Min. pressure cycles          | 100 million                                      |
| Process connection            | threaded connection G 1/4 internal thread        |
| Restrictor element integrated | no (can be retrofitted)                          |

| Remarks       |        |
|---------------|--------|
| Pack quantity | 1 pcs. |

### Electrical connection

Connector: 1 x M12; Contacts: gold-plated



### Connection

