

MASI67 INSTALLATION TECHNOLOGY

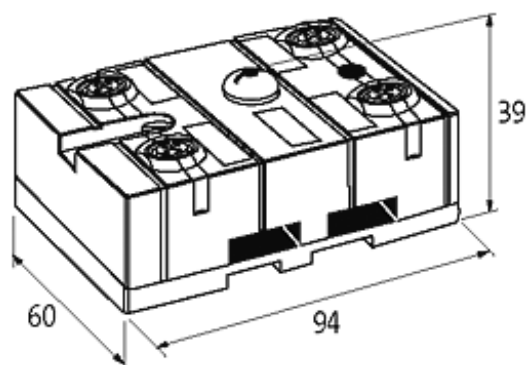
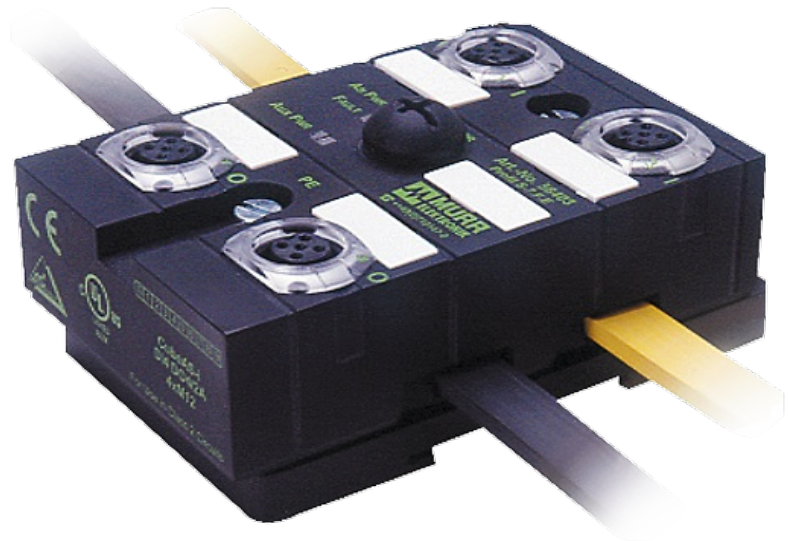
Conversion from profile cable to 4xM12

MASI67 passive distribution box
2 × profile cable to 4 × M12 (female)

For connection cables please see chapter "Connection Technology" All housings are fully potted

[Link to Product](#)

Illustration



Product may differ from Image

Approvals



System connection

The information in this brochure has been compiled with the utmost care.
Liability for the correctness completeness and topicality of the information is restricted to gross negligence. Version: 05/15

Communication and module supply via AS-Interface system connection

Technical Data

Bus voltage (AS-Interface) 26.5...31.6 V DC

External supply 1 × aux power

Current via M12 port max. 4 A

Total current max. 8 A

General data

Protection IP67

Mounting method DIN-rail mountable (EN 60715) or screw fixing

Temperature range -20...+60 °C (storage temperature -40...+80 °C)

Dimensions H × W × D 94×60×39 mm

Commercial data

country of origin DE

customs tariff number 85369010

minimum order quantity 1