



### Model Number

#### IPH-L2-V1

Read/write head  
for IDENTControl

### Features

- VariKont L<sup>(r)</sup> Type with variable alignment capability in 15° steps and front face in 90° steps
- 4 x dual LEDs on the corners for visibility on all sides
- Protection degree IP67
- Connection via plug connection V1 (M12 x 1)

### Accessories

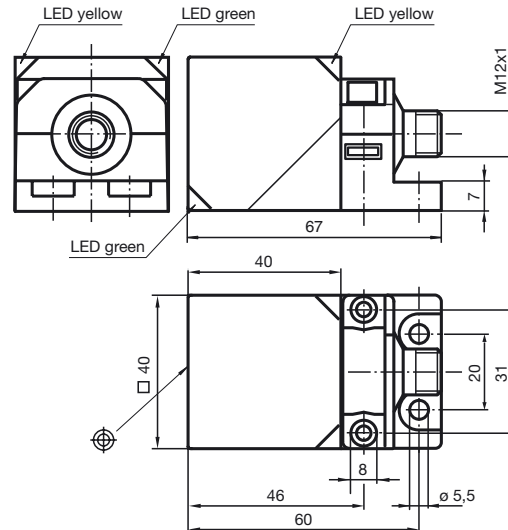
#### V1-G-5M-PUR-ABG-V1-W

Connection cable

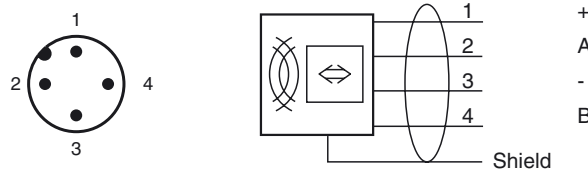
#### V1-G-10M-PUR-ABG-V1-W

Connection cable

### Dimensions



### Electrical connection



### Technical data

#### General specifications

Operating frequency	125 kHz
Transfer rate	2 kBit/s
Sensing range	
Reading distance	1 ... 75 mm
Writing distance	2 ... 65 mm
Width	max. 60 mm
Operating distance	maximum: 80 mm
UL File Number	E87056

#### Indicators/operating means

LED green/yellow	green: power on green flashing: read/write attempt performed yellow: data carrier detected
------------------	--

#### Electrical specifications

Power consumption	$P_0$	≤ 1.2 W
Supply		from the IDENTControl

#### Ambient conditions

Ambient temperature	-25 ... 70 °C (248 ... 343 K)
Storage temperature	-40 ... 85 °C (233 ... 358 K)

#### Mechanical specifications

Protection degree	IP67
Connection	Connector M12 x 1
Material	
Housing	PA-GF35
Encapsulation compound	Fermadur
Installation	not embeddable in metal
Distance between two heads	Multiplex on: ≥ 60 mm Multiplex off: ≥ 450 mm
Mass	approx. 210 g

#### Compliance with standards and directives

Directive conformity	
R&TTE Directive 1995/5/EC	EN 301489-1 V1.8.1 (2008-04), EN 301489-3 V1.4.1 (2002-08), EN 300330-2 V1.3.1 (2006-04), EN 60950-1:2006
Standard conformity	



Electromagnetic compatibility	EN 61326
Protection degree	EN 60529

Release date: 2009-09-01 09:13 Date of issue: 2009-11-03 11:02 ENG.xml