



Model Number

TopScan2 Cover L1400

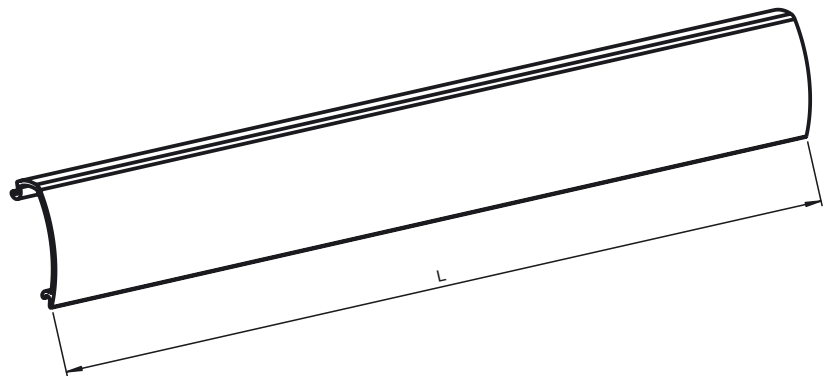
TopScan2 housing cover

Features

- Profile cover for aluminum profile for TopScan2 Series
- Length 1400 mm

For TopScan2 design with a 1400-mm profile length

Dimensions



Technical data

Ambient conditions

Ambient temperature -20 ... 60 °C (-4 ... 140 °F)

Mechanical specifications

Material PC

Suitable series

Series TopScan

Release date: 2014-10-13 09:59 Date of issue: 2014-10-13 241492_eng.xml

Refer to "General Notes Relating to Pepperl+Fuchs Product Information".

Pepperl+Fuchs Group
www.pepperl-fuchs.com

USA: +1 330 486 0001
fa-info@us.pepperl-fuchs.com

Germany: +49 621 776 4411
fa-info@de.pepperl-fuchs.com

Singapore: +65 6779 9091
fa-info@sg.pepperl-fuchs.com