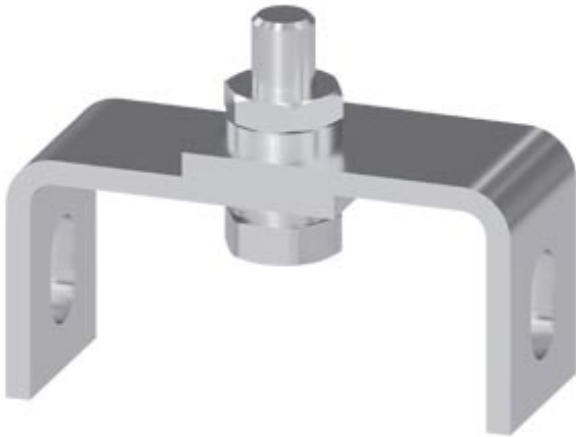


ACCESSORY FOR 3KC0 FS3 BRIDGING BAR FOR LOADSIDE CONNECTION 1 POLE FOR 3KC0 FS3 INCLUDES 1 PIECE



Model	
Product brand name	SENTRON
Product designation	Accessories for transfer switching equipment
Suitability for use	for 3KC0 MTSE, size 3
Product description	Connecting bridge for load-side connection, 1-pole, 1 unit

Connections	
Type of electrical connection / for main current circuit	flat connector
Height	59 mm
Width	30 mm
Depth	83 mm
Net weight	201 g

Declaration of Conformity	Test Certificates
---------------------------	-------------------



[Type Test Certificates/Test Report](#)

Further information

**Information- and Downloadcenter (Catalogs, Brochures,...)**

<http://www.siemens.com/lowvoltage/catalogs>

**Industry Mall (Online ordering system)**

<https://mall.industry.siemens.com/mall/en/en/Catalog/product?mlfb=3KC9318-0>

**Service&Support (Manuals, Certificates, Characteristics, FAQs,...)**

<https://support.industry.siemens.com/cs/ww/en/ps/3KC9318-0>

**Image database (product images, 2D dimension drawings, 3D models, device circuit diagrams, ...)**

[http://www.automation.siemens.com/bilddb/cax\\_en.aspx?mlfb=3KC9318-0](http://www.automation.siemens.com/bilddb/cax_en.aspx?mlfb=3KC9318-0)

**CAX-Online-Generator**

<http://www.siemens.com/cax>

**Tender specifications**

<http://www.siemens.com/specifications>

