



TWIST LEVER FOR POSITION SWITCH 3SE51  
METAL LEVER 27MM LONG, FORM A WITH PLASTIC  
ROLLER 19MM, FUNCTIONAL AT -40 DEGREES

Figure similar

Product designation	actuator for part-turn actuator	
<b>General technical data:</b>		
<b>Product function</b>		
• positive opening		Yes
<b>Shock resistance</b>		30g / 11 ms
<b>Vibration resistance</b>		0.35 mm / 5g
<b>Mechanical service life (switching cycles)</b>		
• typical		15 000 000
<b>Equipment marking</b>		
• acc. to DIN EN 61346-2		T
• acc. to DIN EN 81346-2		T
<b>Active principle</b>		mechanical
Explosion protection category for dust		none
Explosion protection category for gas		none
<b>Enclosure:</b>		
<b>Coating of the enclosure</b>		Other types
<b>Drive Head:</b>		
<b>Design of the operating mechanism</b>		metal lever, 27 mm long, step 9 mm, plastic roller 19 mm
<b>Standard-compliant actuator head</b>		EN 50041, design A
<b>Shape of the switch head</b>		roller
<b>Outer diameter of the switch head</b>	mm	19
<b>Communication/ Protocol:</b>		
<b>Design of the interface</b>		without

### Ambient conditions:





#### Ambient temperature

- |                    |    |             |
|--------------------|----|-------------|
| • during operation | °C | -40 ... +85 |
| • during storage   | °C | -40 ... +90 |

### Installation/ mounting/ dimensions:

mounting position		any
Mounting type		screw fixing

### Certificates/ approvals:

General Product Approval	Declaration of Conformity	Test Certificates	other		
 CSA	 UL		 EG-Konf.	<a href="#">Special Test Certificate</a>	<a href="#">Confirmation</a>

#### other

[Vibration Test Certificates](#)

### Further information

#### Information- and Downloadcenter (Catalogs, Brochures,...)

<http://www.siemens.com/industrial-controls/catalogs>

#### Industry Mall (Online ordering system)

<http://www.siemens.com/industrymall>

#### Cax online generator

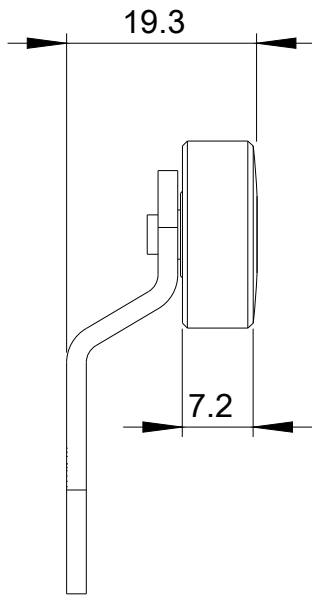
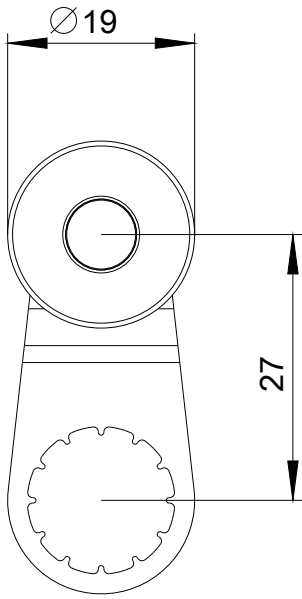
<http://support.automation.siemens.com/WW/CAXorder/default.aspx?lang=en&mlfb=3SE50000AA011AJ0>

#### Service&Support (Manuals, Certificates, Characteristics, FAQs,...)

<http://support.automation.siemens.com/WW/view/en/3SE50000AA011AJ0/all>

#### Image database (product images, 2D dimension drawings, 3D models, device circuit diagrams, EPLAN macros, ...)

[http://www.automation.siemens.com/bilddb/cax\\_de.aspx?mlfb=3SE50000AA011AJ0&lang=en](http://www.automation.siemens.com/bilddb/cax_de.aspx?mlfb=3SE50000AA011AJ0&lang=en)



last modified:

16.03.2015