



LED Retrofit 5W GU10



Product Overview

LED retrofit lamps are direct replacements for conventional incandescent, halogen, and compact fluorescent (CFL) lamps.

LEDs deliver higher lumens per watt (lm/W) which means significant energy savings while lasting more than ten times longer than incandescent sources. With their directional light, instant on and ability to dim, LEDs are fast becoming the light source of choice.

Features

- More eco-valued.
- Excellent optical design, alike COB appearance.
- Reliable IC solution, automatic production.

Safety and Maintenance

- Switch off supply before installing or removing lamp.
- Allow to cool before handling.
- Do not use in totally enclosed fittings as this will reduce lamp life.
- Do not dispose of in household waste.
- Dispose of in appropriate section of local civic amenity site or recycling centre.

DATA SHEET

Specifications – GU10 Cap

SKU	S8825,S8869
Lamp Cap	GU10
Nominal Power (W)	5.0
Voltage	220-240Vac 50-60Hz
Current (mA)	40
Nominal Luminous Flux (lm)	370
CCT (K)	4000K Cool White
Nominal Lifetime (h)	15000
Dimmable	No
Switching Cycles	15000
Warm-up time to 60% (S)	0.04
Length (mm)	54
Diameter (mm)	50
Mercury (mg)	
Clean-up instructions	See website
Retrofit	Yes
Equivalent Wattage (W)	50
Rated Power (W)	5.0
Rated Luminous Flux (lm)	370
Rated Lifetime (h)	15000
Power Factor	0.40
Rated Peak Candelas (cd)	810
Lumen Maintenance Factor at	
Nominal Lifetime	15000
CRI	80
Start Time (s)	0.04
Ambient Temperature Range (°C)	-20 to 40

Energy Label – GU10 Cap

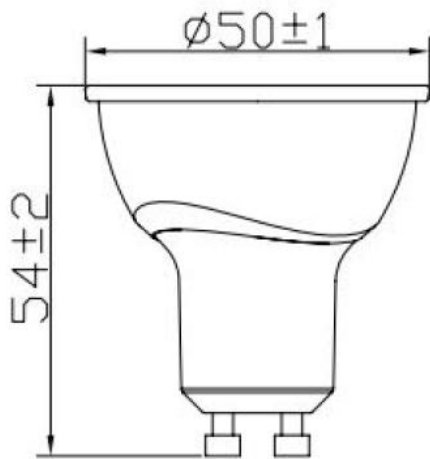
Energy Class	A+
Energy Consumption (kWh/1000h)	4.00 (4)*

* The kWh/1000h value published on the energy label is required to be rounded up to an integer according to the EU implementing directive on Energy Labelling. The value to 2 decimal places is given for reference.

Product Markings – GU10 Cap

Voltage	220-240Vac 50-60Hz
Nominal Power (W)	5.0
Current (mA)	40
CE Mark	Yes
WEEE Mark	Yes
Batch Code	Yes

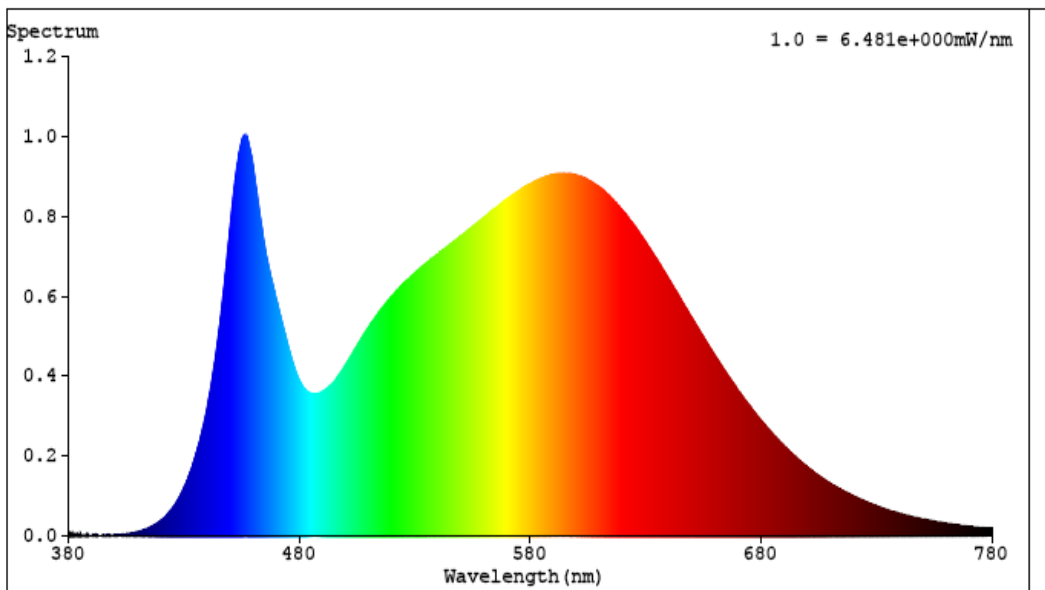
Dimensions



S8825,S8690

Photometric Information

4000K



Spectral Distribution