

High Knurled Nuts (with Collar) • DIN 466

24780.0260



Product Description

Material

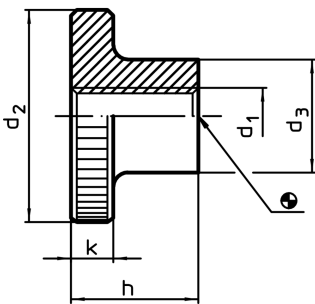
- Stainless steel 1.4301, dull blasted

More information

Notes

Knurling pitch and knurling depth may differ from DIN.

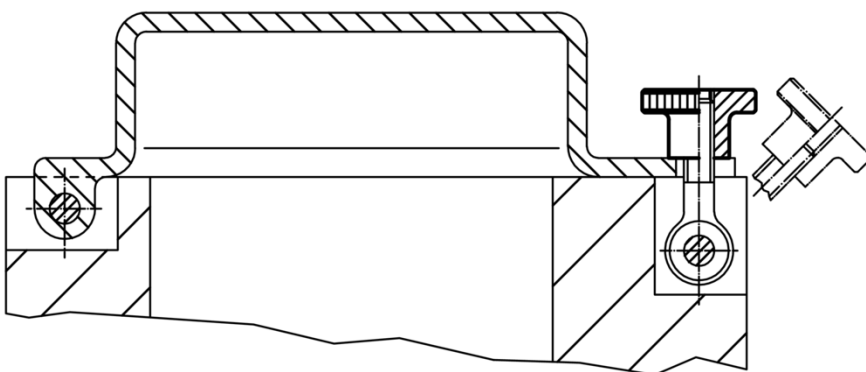
Drawing



Order information

d ₁	d ₂	Dimensions			k	[g]	Art. No.	
		d ₃ [mm]						
stainless steel								
M6	24	12			15	5	23	24780.0260

Application example



Compliance

RoHS compliant

Compliant according to Directive 2011/65/EU and Directive 2015/863

Does not contain SVHC substances

No SVHC substances with more than 0.1% w/w contained - SVHC list [REACH] as of 10.06.2022

Does not contain Proposition 65 substances

No Proposition 65 substances included
<https://www.P65Warnings.ca.gov/>

Free from Conflict Minerals

This product does not contain any substances designated as "conflict minerals" such as tantalum, tin, gold or tungsten from the Democratic Republic of Congo or adjacent countries.