

isc Triacs

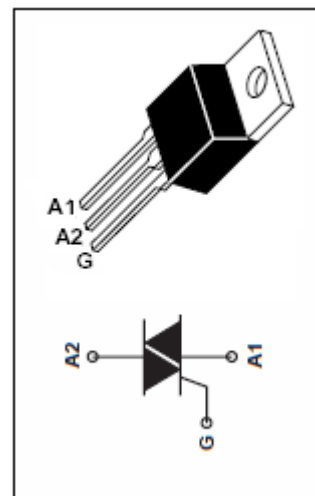
TIC246N

FEATURES

- With TO-220 package
- Sensitive Gate Triacs
- Glass Passivated
- Max I_{GT} of 50 mA (Quadrants 1~3)

ABSOLUTE MAXIMUM RATINGS($T_a=25^{\circ}\text{C}$)

SYMBOL	PARAMETER	MIN	UNIT
V_{DRM}	Repetitive peak off-state voltage	800	V
V_{RRM}	Repetitive peak reverse voltage	800	V
$I_{T(RMS)}$	RMS on-state current (full sine wave) $T_C=70^{\circ}\text{C}$	16	A
I_{TSM}	Non-repetitive peak on-state current	125	A
T_j	Operating junction temperature	110	$^{\circ}\text{C}$
T_{stg}	Storage temperature	-45~125	$^{\circ}\text{C}$
$R_{th(j-c)}$	Thermal resistance, junction to case	1.9	$^{\circ}\text{C}/\text{W}$
$R_{th(j-a)}$	Thermal resistance, junction to ambient	62.5	$^{\circ}\text{C}/\text{W}$

ELECTRICAL CHARACTERISTICS ($T_C=25^{\circ}\text{C}$ unless otherwise specified)

SYMBOL	PARAMETER	CONDITIONS	TYP.	MAX	UNIT	
I_{DRM}	Repetitive peak off-state current	$V_D=V_{DRM}, T_C=110^{\circ}\text{C}$		2.0	mA	
I_{GT}	Gate trigger current	$V_{supply} = 12\text{ V}\uparrow; R_L = 10\ \Omega; t_{p(g)} > 20\ \mu\text{s}$	I	12	50	mA
			II	19	50	
			III	16	50	
			IV	34		
I_H	Holding current	$V_{supply} = 12\text{ V}\uparrow, I_G = 0$ initial $I_{TM}=100\text{mA}$		40	mA	
V_{GT}	Gate trigger voltage all quadrant	$V_{supply} = 12\text{ V}\uparrow; R_L = 10\ \Omega; t_{p(g)} > 20\ \mu\text{s}$		2	V	
V_{TM}	On-state voltage	$I_T = 22.5\text{A}; I_G = 50\text{mA}$		1.7	V	