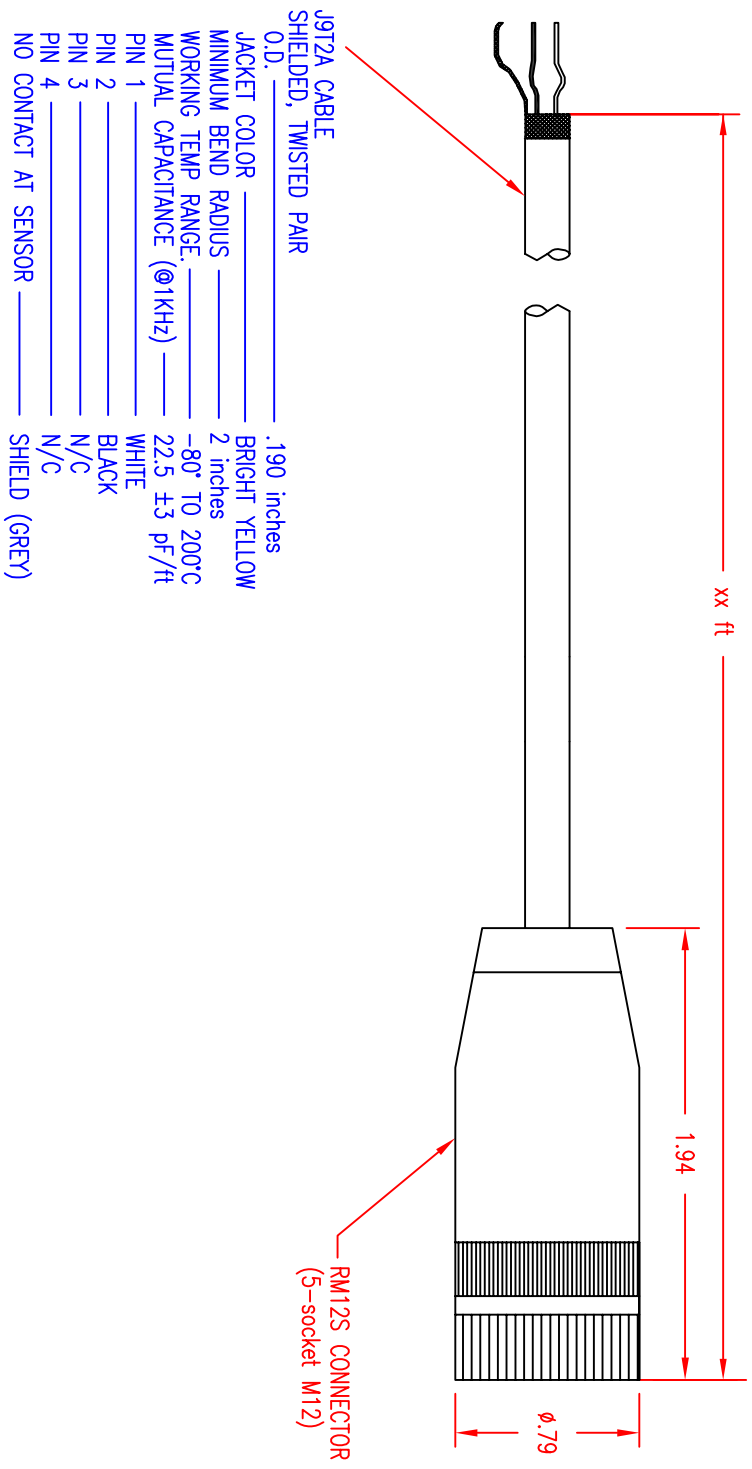


NOTES:
1. CABLE ASSEMBLY RATED IP67.



- J9172A CABLE _____
- SHIELDED, TWISTED PAIR _____
- O.D. _____
- JACKET COLOR _____
- MINIMUM BEND RADIUS _____
- WORKING TEMP RANGE _____
- MUTUAL CAPACITANCE (@1KHz) _____
- PIN 1 _____
- PIN 2 _____
- PIN 3 _____
- PIN 4 _____
- NO CONTACT AT SENSOR _____

.190 inches

BRIGHT YELLOW

2 inches

-80° TO 200°C

22.5 ±3 pF/ft

WHITE

BLACK

N/C

N/C

SHIELD (GREY)

REV	DESCRIPTION	DATE	APPROVED
01	PRELIMINARY ISSUE	12/09/16	01

FIG. NO. RM12S-0-J9172A-xx
REV. 01

EXPORT CONTROLLED
THIS DOCUMENT CONTAINS TECHNICAL DATA AS DEFINED BY THE EXPORT ADMINISTRATION REGULATIONS, AND IS SUBJECT TO THE EXPORT CONTROL LAWS OF THE U.S. GOVERNMENT.
ECON E4K99

PROPRIETARY
THIS DOCUMENT IS ISSUED IN STRICT CONFIDENCE ON CONDITION THAT IT IS NOT COPIED, REPRINTED, OR DISCLOSED TO A THIRD PARTY EITHER WHOLLY OR IN PART WITHOUT PRIOR WRITTEN CONSENT OF WILCOXON SENSING TECHNOLOGIES.

UNLESS OTHERWISE SPECIFIED, DIMENSIONS ARE IN INCHES.
APPROVALS _____ DATE _____

WILCOXON
8435 Progress Dr.
Sensing Technology Frederick, MD 21701 USA

CABLE INSTALLATION DRAWING

DATE CODE: 53126
FORM NO.: RM12S-0-J9172A-xx
REV: 01

EXPORT CONTROLLED
THIS DOCUMENT CONTAINS TECHNICAL DATA AS DEFINED BY U.S. EXPORT REGULATIONS AND IS SUBJECT TO THE EXPORT CONTROL LAWS OF THE U.S. GOVERNMENT. CONTACT WILCOXON SENSING TECHNOLOGIES TO OBTAIN SPECIFIC EXPORT CONTROL CLASSIFICATION.

DO NOT SCALE DRAWING
TOLERANCES:
.XX = ± .01
X = ± .5
XXX = ± .005

SCALE NONE
SHEET 1 OF 1

A

B

C

D

1
2
3
4

1
2
3
4