


30mm wide pre-wired limit switches

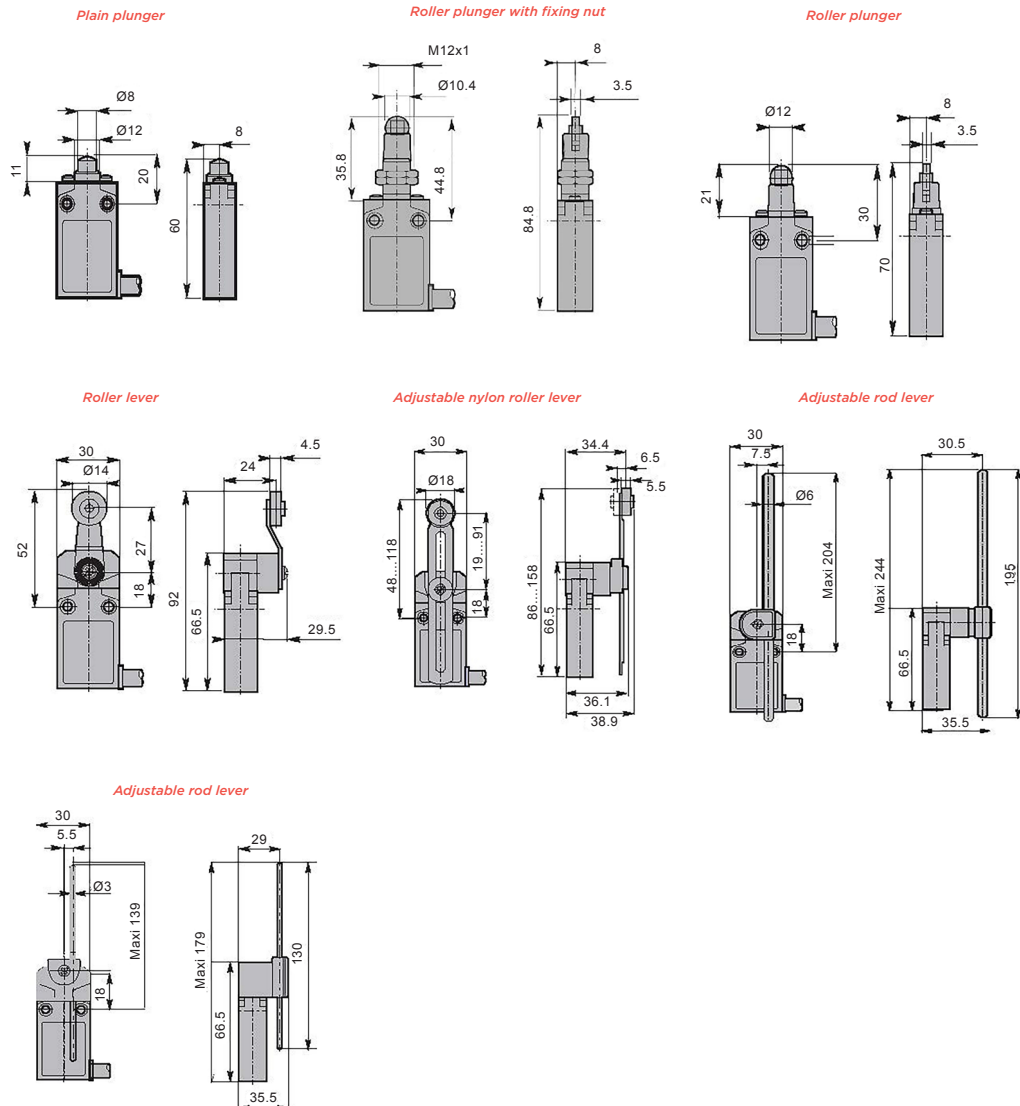
Product overview

- 30mm width
- Pre wired. 1M cable standard
- For 2M cable add suffix /2
- Metal casing
- Rated to IP67
- Snap action contacts
-  approved



SPECIFICATION	
Rating	400V
Cable	PVC 1m 4x0.75mm ²
Impulse withstand voltage	4kV
Working temperature	-25°C to +70°C
Switching frequency	3600 cycles/h
Load factor	0.5
Short circuit protection	6A gG fuse

IP67 METAL CASING	PLUNGER TYPE	MAX ACTUATION SPEED	ACTUATION / NC OPERATION
CE70.0.AM	Plain plunger	0.5ms ⁻¹	15N/30N
CE70.0.BLM	Roller plunger with fixing nut	0.1ms ⁻¹	10N/30N
CE70.0.BM	Roller plunger	0.1ms ⁻¹	10N/30N
CE70.0.EM	Roller lever	1.5ms ⁻¹	0.08Nm/0.28Nm
CE70.0.FM	Adjustable nylon roller lever	1.5ms ⁻¹	0.08Nm/0.28Nm
CE70.0.GM	Adjustable rod lever	1.5ms ⁻¹	0.08Nm/0.28Nm
CE70.0.HM	Adjustable rod lever	1.5ms ⁻¹	0.08Nm/0.28Nm



SWITCH