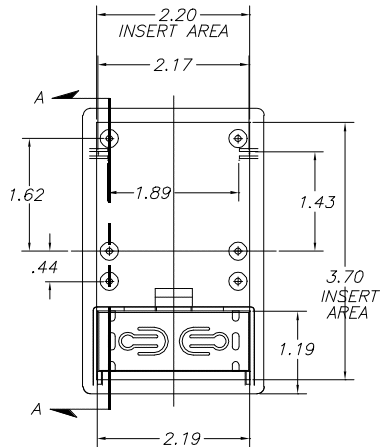
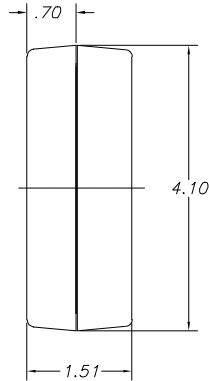
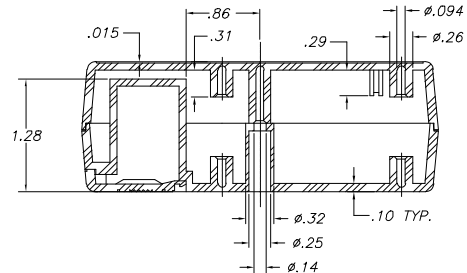
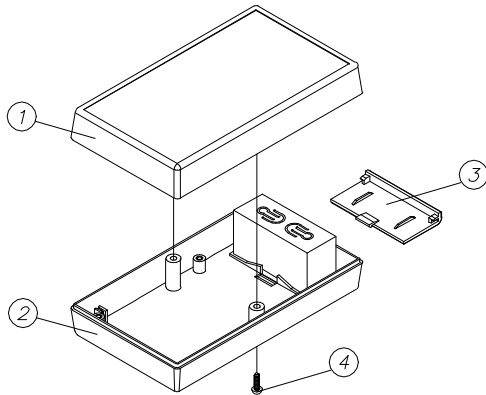
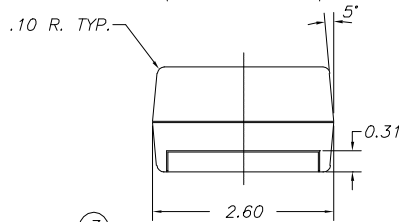
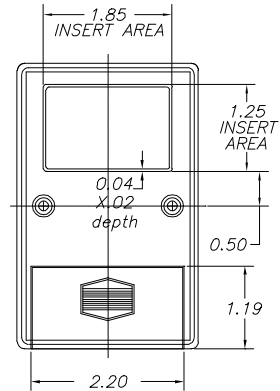


SERPAC 211-I

Electronics Enclosures



NOTES:
1. WHEN MACHINE OR I PLATES MODIFICATIONS ARE REQUIRED, USE THE CENTER OF THE BOX TO DIMENSION.



SECTION A-A

10-02-98

ALL DIMENSIONS ± .010

ITEM	PART NO.	DESCRIPTION	ACCESSORIES	
			PART NO.	DESCRIPTION
1	211	PLASTIC TOP		
2	21	PLASTIC BOTTOM		
3	1025	PLASTIC BATTERY COVER	51	FEET
4	6005	SCREWS (2)	319	PROTOTYPE GRID BOARD (HORIZ.)
			419	PROTOTYPE CLAD BOARD (HORIZ.)

619 Commercial Ave. Covina, CA 91723

(626) 331-0517 Fax (626) 331-8584 <http://www.serpac.com>