

**RoHS
Compliant**



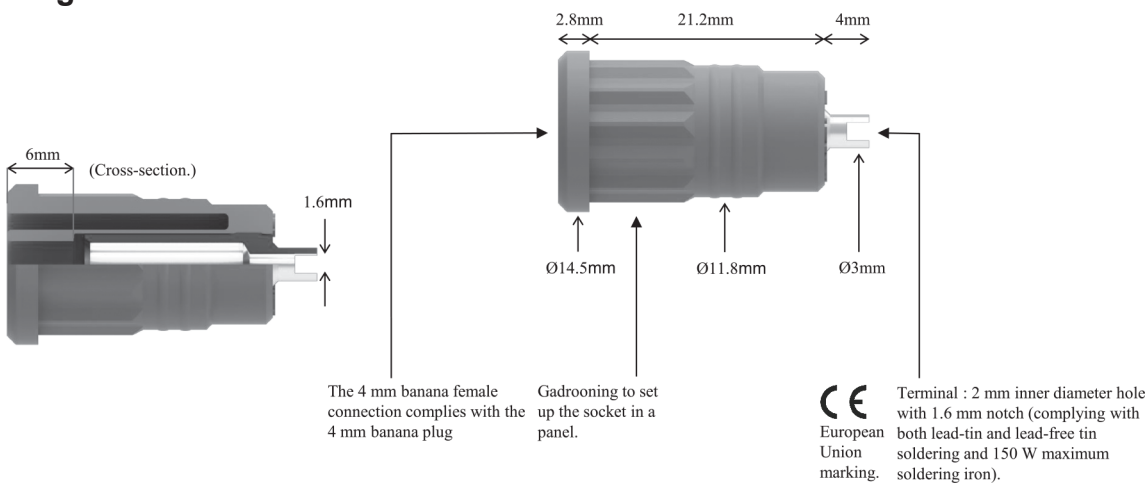
Description

The product is a black colour 4mm female banana jack (socket) with solder slot. It is used to quick repair or makes panels or boxes providing safety 4mm banana connections for power supplies, measurements, controls and tests. The design of the socket front face meets the requirements of EN / IEC 61010-031:2008 and the socket design is compatible with EN / IEC 61010-1:2010 for reinforced insulation at 1000V CAT II / 1000V CAT III / 600V CAT IV and 25A (at 40°C).

Specifications

Gender	: Jack
Current Rating	: 25A
Voltage Rating	: 1kV
Contact Plating	: Nickel Plated Contacts
Connector Colour	: Black
Contact Material	: Brass
Contact Termination Type	: Solder
Operating Temperature	: -20°C to +80°C

Diagram



Part Number Table

Description	Part Number
4mm Female Banana Jack (socket) w/Solder Slot, panel mounting, push-in assembly, Black	76-1524

Dimensions : Millimetres

Important Notice : This data sheet and its contents (the "Information") belong to the members of the AVNET group of companies (the "Group") or are licensed to it. No licence is granted for the use of it other than for information purposes in connection with the products to which it relates. No licence of any intellectual property rights is granted. The Information is subject to change without notice and replaces all data sheets previously supplied. The Information supplied is believed to be accurate but the Group assumes no responsibility for its accuracy or completeness, any error in or omission from it or for any use made of it. Users of this data sheet should check for themselves the Information and the suitability of the products for their purpose and not make any assumptions based on information included or omitted. Liability for loss or damage resulting from any reliance on the Information or use of it (including liability resulting from negligence or where the Group was aware of the possibility of such loss or damage arising) is excluded. This will not operate to limit or restrict the Group's liability for death or personal injury resulting from its negligence. Multicomp Pro is the registered trademark of Premier Farnell Limited 2019.