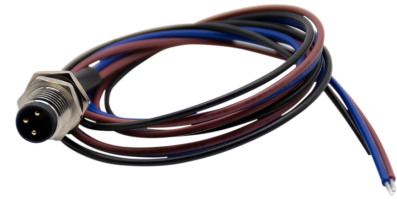


# M8 Circular Panel Mount, Wire Leads



## Features

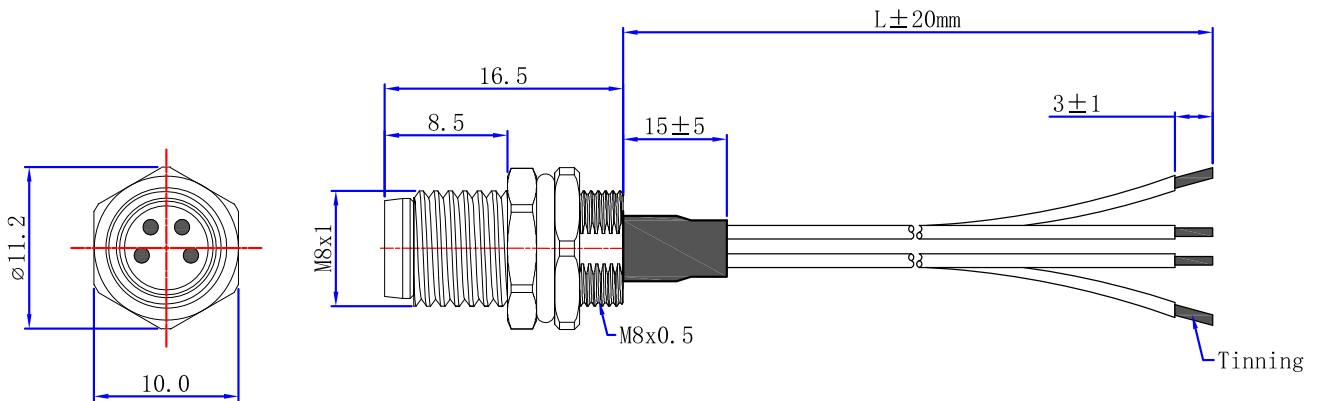
- Ideal for compact and space-sensitive industrial applications
- UL94-V0 flame retardant degree
- RoHS compliant



## Specification

Protection Rating	IP67
Wire Connection Mode	Soldering
Operating Temperature Min.	-25 °C
Operating Temperature Max.	85 °C
Connector Size	M8
Gender	Plug

## Drawing



Article Nr.	Number of Pins	L	Rated Voltage	Rated Current	Withstanding Voltage	Cable Specifications
RND 205-01120	3	500 mm	60 V	3 A	850 VAC / 1 min	24 AWG, 0.25 mm <sup>2</sup> , UL1007
RND 205-01121	4	500 mm	60 V	3 A	850 VAC / 1 min	24 AWG, 0.25 mm <sup>2</sup> , UL1007
RND 205-01122	6	500 mm	30 V	1 A	650 VAC / 1 min	26 AWG, 0.14 mm <sup>2</sup> , UL1007

## Pin Out

3Pin		4Pin		6Pin	
Pin Assignment Front View		Pin Assignment Front View		Pin Assignment Front View	
				6	Pink
				5	Gray
4	Black	4	Black	4	Black
3	Blue	3	Blue	3	Blue
		2	White	2	White
1	Brown	1	Brown	1	Brown
Pin	Wire Color	Pin	Wire Color	Pin	Wire Color

