

5

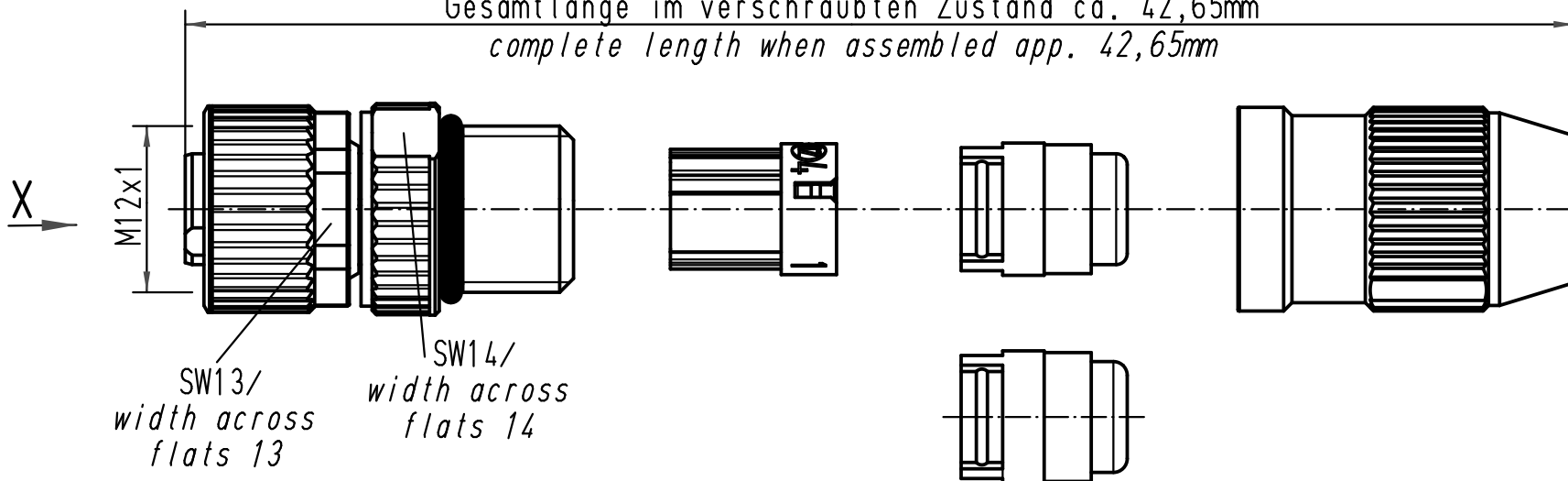
4

3

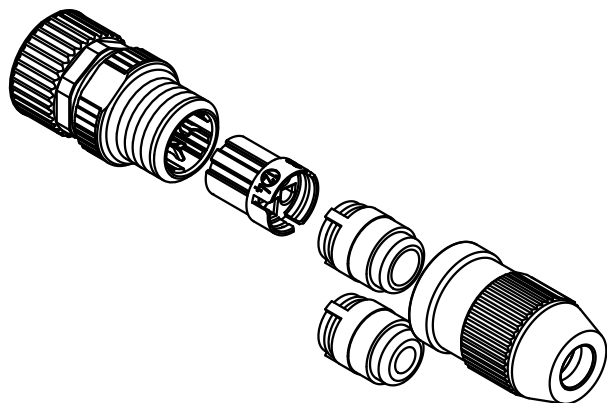
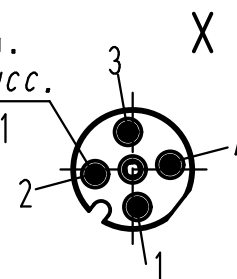
2

1

Gesamtlänge im verschraubten Zustand ca. 42,65mm
complete length when assembled app. 42,65mm



Steckgesicht n.
Contact face acc.
IEC 61076-2-101



| | | | | | | | | |
|---|----------|------|--------------------------------|----------|------|--|--|--|
| All Dimensions in mm Original Size DIN A 4 | | | Techn. Character. | | | Nicht tolerierte Masse/ Free size tolerances | | |
| | | | | Dat. | Name | Massstab/ Scale | | Rundsteckverbinder/ Circular connector M12S 4polig Buchse/ M12S 4poles female |
| | | | Detail. | 18.02.04 | DY | 2:1 | | |
| 412985 | 11.06.07 | DY | Insp. | | SR | | | |
| 411958 | 18.01.06 | DY | Stand. | | | | | |
| 411862 | 28.10.05 | DY | HARTING Electric GmbH & Co. KG | | | | | TB 21 03 111 2405 |
| 410339 | | | D-32339 Espelkamp | | | | | |
| Mod. | Dat. | Name | | | | Sub. | | Blatt/ page |